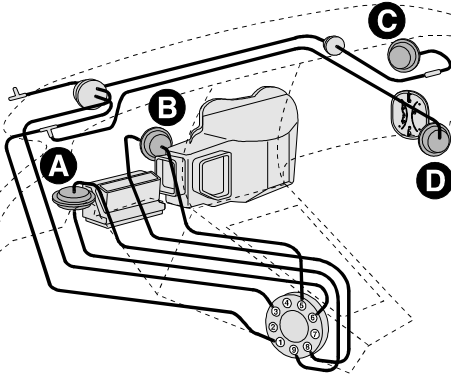


**68-82 A.C. Vacuum Actuator**

Shaped like 2 inverted pie-pans, Vacuum Actuators power the opening and/or closing of doors in the heater & air conditioning system. **Single Mode** actuators have one vacuum pipe and use vacuum in only one mode and are spring operated in the opposite mode. **Dual Mode** actuators have 2 vacuum pipes and use vacuum control in both modes, i.e. both the door opening & closing mode.



68-82 Vacuum Actuator Mounting Nuts with captive lock washers. Pair Does 1 actuator. 8848212 2.20

**A A.C. Diverter Box Vacuum Actuators**

this actuator mounts on the LH side of the diverter box and opens & closes the defroster door. **Select**

- 69-76 Steel Dual Actuator 9222304 46.75
- 69-76 Plastic Dual Actuator 9222110 39.50
- 77-82 Steel Single Actuator 9222306 46.50

**B A.C. Selector Box Vacuum Actuators**

mounts on the front side of the selector box & opens the heater core door in the heat mode & closes it for A.C..

- 68-76 Steel Dual Actuator 9222308 46.75
- 77-82 Steel Single Actuator 9222310 46.50

**C A.C. Plenum Door Vacuum Actuator**

mounts inside the RH firewall plenum chamber & opens the plenum door to let in fresh air. This door closes to re-circulate the cockpit air supply in "max" air mode.

- 68 Steel Single Actuator 9222312 46.50
- 69-82 Steel Single Actuator 9222314 46.75

**D A.C. RH Vent Door Vacuum Actuator**

this actuator mounts on the RH lower under dash and controls the RH kick panel vent door opening.

- 68-82 Steel Single Actuator 9222316 46.50

**What's RED, WHITE, BLACK & BLUE ?**

**Heater Vacuum Hose Kits**

**Key** B = Black W = White U = Blue R = Red

	# Hoses	T	Clamps	Colors		
Early 69 X	8	2	16	BWRU	9222120	23.50
Late 69-70 X	9	2	18	BWRU	9222122	23.50
71-Early 75 *	9	2	18	BRU	9222124	23.50
Late 75-76	9	2	18	BWRU	9222126	24.50
77-79	4	1	8	BWRU	9222128	23.50

**X Early 69 models use neoprene tubing to connect the center console controls with the rear vent doors.**

**Late 69 uses metal tubing to make this connection.**

**\* This kit Does Not use a hot water shut off valve**

**69-76 Rear Vent Door Tube**

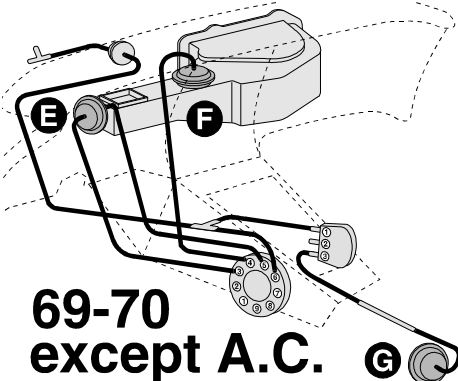
Late 69-76 exc A.C. Rear Vent Vacuum Tubing Shipped coiled, this steel tubing is formed to the contours of your under body. It runs on the RH side of the center console to the rear wheel wells in the vicinity of the rear vent doors. Includes sufficient length for RH side routing on a convertible, or the LH side routing for a coupe.

Does 1 car 9222130 23.75

**69-76 Rear Vent Tube or Hose Clip Sets**

includes a complete set of clip & rivets required to mount the rear vent steel tubing or hose to the under body.

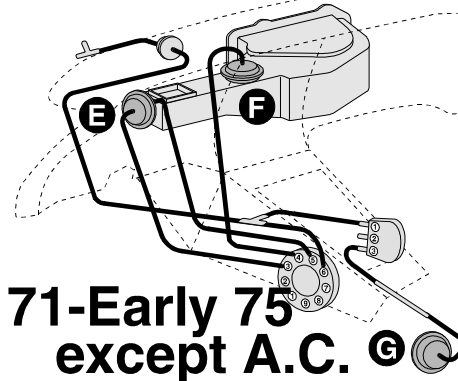
- 68-75 Convertible 14 Piece Mounting Kit includes 7 clips and 7 aluminum rivets 8848220 9.75
- 68-71 Coupe 16 Piece Mounting Kit includes 8 clips and 8 aluminum rivets 8848224 10.75
- 72-76 Coupe 12 Piece Mounting Kit includes 6 clips and 6 aluminum rivets 8848226 8.75



**69-70 except A.C. G**

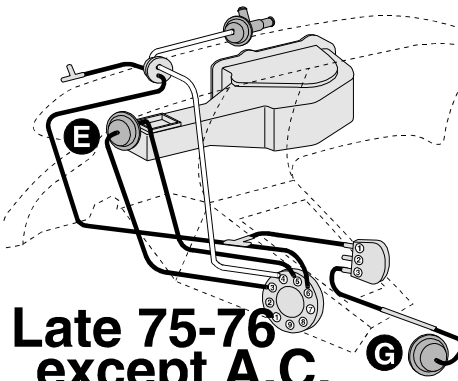
**Early 69 Heater Vacuum Hose Kit** includes 8 color coded vacuum hoses, 2 T-pipe fitting, 16 clamps & a Full Color Schematic Diagram with Instructions. Early 69 models use neoprene tubing to connect the center console controls with the rear vent doors vacuum actuators. 9222120 26.50

**Late 69 Heater Vacuum Hose Kit** includes 9 color coded vacuum hoses, 2 T-pipe fitting, 18 clamps & a Full Color Schematic Diagram with Instructions. Late 69 models use metal tubing to connect the center console controls with the rear vent doors vacuum actuators. 9222122 23.50



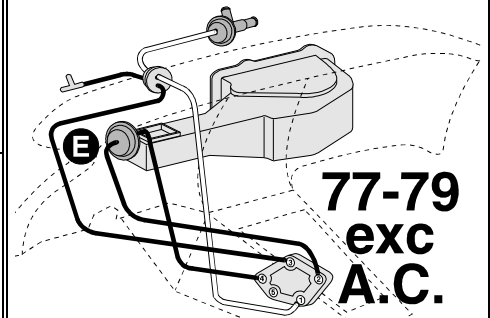
**71-Early 75 except A.C. G**

**71-Early 75 Heater Vacuum Hose Kit** includes 9 color coded vacuum hoses, 2 T-pipe fitting, 18 clamps & a Full Color Schematic Diagram with Instructions. Early 75 does not use a hot water valve 9222124 23.50



**Late 75-76 except A.C. G**

**Late 75-76 Heater Vacuum Hose Kit** includes 9 color coded vacuum hoses, 2 T-pipe fitting, 18 clamps & a Full Color Schematic Diagram with Instructions. Late 75 does use a hot water valve 9222126 24.50



**77-79 exc A.C.**

**77-79 Heater Vacuum Hose Kit** includes 4 color coded vacuum hoses, 1 T-pipe fitting, 8 clamps & a Full Color Schematic with Instructions. 9222128 23.50

**69-79 Heater Vacuum Actuator**

Shaped like 2 inverted pie-pans, Vacuum Actuators power the opening and/or closing of doors in the heater system. **Single Mode** actuators have one vacuum pipe and use vacuum in only one mode and are spring operated in the opposite mode. **Dual Mode** actuators have 2 vacuum pipes and use vacuum control in both modes, i.e. both the door opening & closing.

68-82 Vacuum Actuator Mounting Nuts with captive lock washers. Does 1 actuator. 8848212 2.20

**E 69-79 Defroster Door Vacuum Actuator**

this dual mode steel actuator mounts on the LH side of the under dash heater box and opens & closes the defroster door. 9222324 46.75

**F 69-79 Outside Air Door Vacuum Actuator**

this single mode steel actuator mounts on the top side of the under dash heater box and closes the heater box fresh air door. 9222326 46.75

**G 69-76 Rear Vent Door Vacuum Actuator**

this single mode steel actuator mounts under the rear deck above the rear wheel on the LH side in coupes and the RH side in convertibles. It closes the rear vent doors when the heater is turned on. 9222328 46.75

**Heater & A.C. Controls Console Controls**

**69-76 A.C. & Heater Control Rebuild Kit** includes die cast Zinc bezel with Black & Chrome accents, face back plate, silk-screened plastic indicator lens, indicator pointers, control mechanism with pulleys & cables and 2 thumb wheels. Fully assembled & ready to install in your housing.

- 68 exc A.C. Heater Control Kit 8848270 94.50
- 68 A.C. Heater Control Kit 8848272 94.50
- 69-71 except A.C. Heater Control Kit 8848274 94.50
- 69-71 A.C. Heater Control Kit 8848276 94.50
- 72-75 except A.C. Heater Control Kit 8848278 94.50
- 72-75 A.C. Heater Control Kit 8848280 94.50
- 76 A.C. Heater Control Kit 8848282 94.50

**69-76 Rebuilt A.C. & Heater Control Assembly**

Includes control housing, trim bezel, indicator lens, heater A.C. & defroster vacuum control valves with control mechanism plus 2 controlling thumb wheels. With core deduct \$ 50. 8846352 Disc

**68-71 Climate Control Bezel without Lens**

with or without A.C. NOS 8846354 40.00

**72-76 Climate Control Bezel with Lens for A.C.**

For models without A.C., remove the lens & replace with non-A.C. lens. NOS Disc

**77-82 Console Climate Control Assembly with A.C.**

Includes housing, trim bezel, indicator lens, heater & A.C. vacuum valve switch, 2 black control levers & the blower motor switch. China 8846353 195.00

77-82 Climate Control Bezel 8846361 24.50

77-82 Climate Control Bezel 4 Piece Mounting Kit Does 1 Car. 8848194 2.60

**77-82 Climate Control Levers Controls**

- A.C., Heater, Defrost Lever NOS 8846368 22.00
- A.C., Heater, Defrost Lever repro 8846378 15.00
- Temperature Lever NOS 8846369 22.00
- Temperature Lever repro 8846379 15.00