

What's RED, WHITE, BLACK & BLUE plus ORANGE, GREEN, TAN and even PINK ?

A.C. with Heater Vacuum Hoses

These Vacuum Hoses Control...

Hot-Cold Air Flow on A.C./Heat Mode Defroster Air Flow & Rear Vent Doors

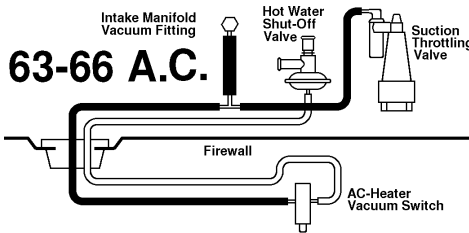
Each kit includes a complete set of neoprene **Color Coded** vacuum hoses as found on 63-76 models. Our 77-82 kits use this same tubing rather than plastic tubing. Also includes Tee-pipe connectors and miniature hose clamps as required. Plus for easy installation also includes a **Full Color Coded Diagram**.

Key B = Black W = White G = Green T = Tan O = Orange P = Pink U = Blue R = Red

Vacuum Hose Kits with A.C.

	Hoses	T	Clamps	Colors		
63-66	4	1	-	BW	9222102	14.95
67	2	-	-	BW	9222103	14.95
68	10	3	20	BWGOPT	9222104	29.95
69-71	10	2	20	BWGOPTRU	9222105	31.95
71-E75 *	9	2	18	BGOPTRU	9222106	28.95
Late 75-76	12	3	24	BWGOPTRU	9222107	31.95
77-82	10	3	20	BW GOTU	9222108	29.95

* this kit **Does Not** use a hot water shut off valve



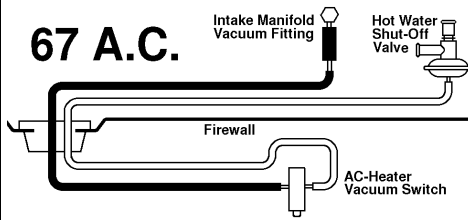
63-66 A.C. Vacuum Hose Kit includes 3 Black & 1 White vacuum hose with 1 T-pipe fitting. 9222102 14.95

This Tip is worth \$50 Bucks

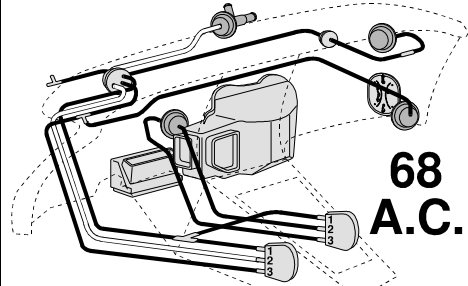
How To Repair a Leaky Brass 63-67 A.C. Hot Water Shut Off Vacuum Switch

Note that on the end of the switch opposite the push button, the metal is crimped in several places. This crimping prevent disassembly. Use a small flat bladed screwdriver and ball peen hammer to straighten out these crimps. Unscrew the tip of the push button and the shaft will slip out of the switch. Do not loose the small spring inside. The shaft has a flat rubber O-ring to seal against the inside walls of this essentially hollow switch. Often this rubber is cracked or worn and will not provide a seal against the wall. Using a vernier caliper, I measured the bore ID of the switch and the OD of the shaft. Replace the stock flat O-ring with a standard round O-ring. After cleaning the switch & shaft, lubricate with a vacuum grease as used on a vacuum power brake booster. Reinsert the shaft, return spring and carefully re-crimp the end as stock. My 1967 switch performs like new in my 67 AC model and if it ever wears out again I can replace the O-ring for less than a dollar. It has been several years since I repaired my switch and do not want to disassemble my Vet to measure it again. Look up companies that sell bearings in the yellow pages and take your disassembled switch to them. They will have a vernier caliper to take the measurements and can supply you with the O-ring. For two bucks you can get a lifetime supply. Vacuum grease can be found at most auto parts stores. Remember you read this tip here first, so next year when you read this same tip in other catalogs, you will know who the sheep really are. Baaaaaaaaaa!

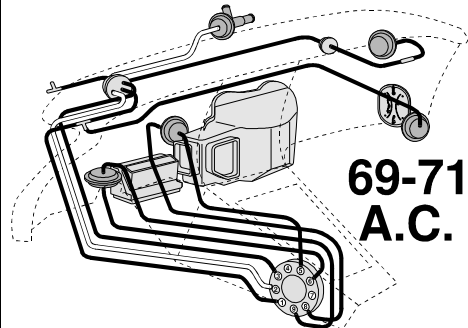
67 A.C.



67 A.C. Vacuum Hose Kit includes 1 Black & 1 White vacuum hose & 1 connector fitting. 9222103 14.95



68 A.C. Vacuum Hose Kit includes 10 color coded vacuum hoses, 3 T-pipe fitting, 20 clamps & a Full Color Schematic Diagram with Instructions. 9222104 29.95

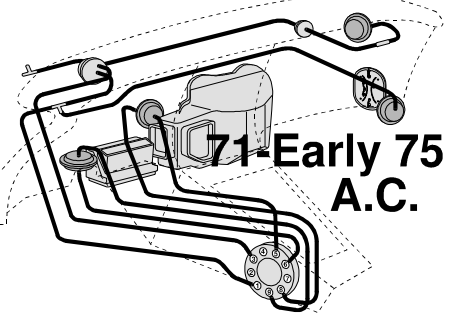
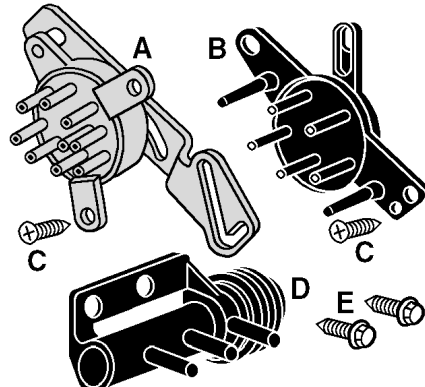


69-71 A.C. Vacuum Hose Kit includes 10 color coded vacuum hoses, 2 T-pipe fitting, 20 clamps & a Full Color Schematic Diagram with Instructions. 9222105 31.95

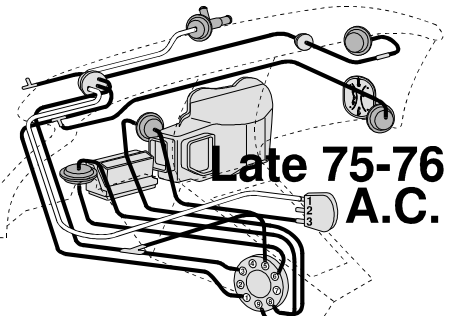
Vacuum Control Switch

Climate control switches are rotary vacuum switches with nipple like ports to connect the vacuum control hoses to the AC or heater control assembly under the center console.

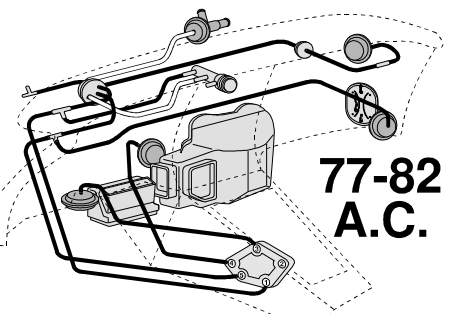
- A** 69-76 Climate Control Vacuum Switch
Zinc die cast switch. **NOS** 8846366 39.00
- B** 77-82 Climate Control Vacuum Switch
Molded plastic switch. **NOS** 8846367 23.30
Molded plastic switch. **repro** 8846355 15.00
- C** 68-82 Climate Vacuum Switch Mounting **2 Piece Kit**
Does 1 car. 8848186 2.20
- D** 77-82 Hot Water Shut Off Switch mounts on top of the A.C. heater core box. 2771405 59.60
- E** 78-82 Water Switch Mounting **2 Piece Kit**
Includes 2 screws. **Does 1 car.** 8848218 2.20



71-Early 75 A.C. Vacuum Hose Kit includes 9 color coded vacuum hoses, 2 T-pipe fitting, 18 clamps & a Full Color Schematic Diagram with Instructions. This kit is not used with a Hot Water Shut Off Valve. 9222106 28.95

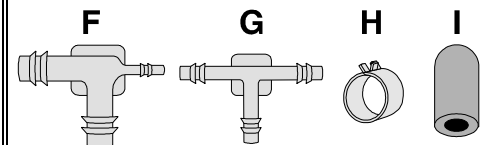


Late 75-76 A.C. Vacuum Hose Kit includes 13 color coded vacuum hoses, 3 T-pipe fitting, 24 clamps & a Full Color Schematic Diagram with Instructions. This kit is used with a Hot Water Shut Off Valve. 9222107 31.95



77-82 A.C. Vacuum Hose Kit includes 10 color coded vacuum hoses, 3 T-pipe fitting, 20 clamps & a Full Color Schematic Diagram with Instructions. This kit is used with a Hot Water Shut Off Valve. 9222108 29.95

Vacuum System Parts



- F** A.C.-Heater Vacuum "T" with Miniature Nipple connects the heater & AC control vacuum hoses to the vacuum source provided by the head lamp vacuum hose harness. 2771222 5.00
- G** A.C.-Heater Vacuum "T" connects the heater & AC control hoses. 2771224 2.50
- H** 68-82 Air Conditioning or Heater Vacuum Control Hose Clamp Use as reqd. Silver flat steel with 3 prongs 4166981 2.50
- I** 68-82 Vacuum Switch Rubber Cap blocks the unused nipple like ports to prevent vacuum leaks. Use as reqd. 8848210 2.95