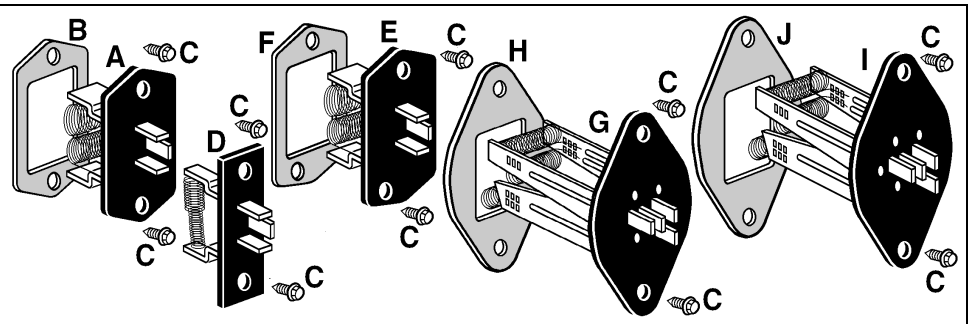
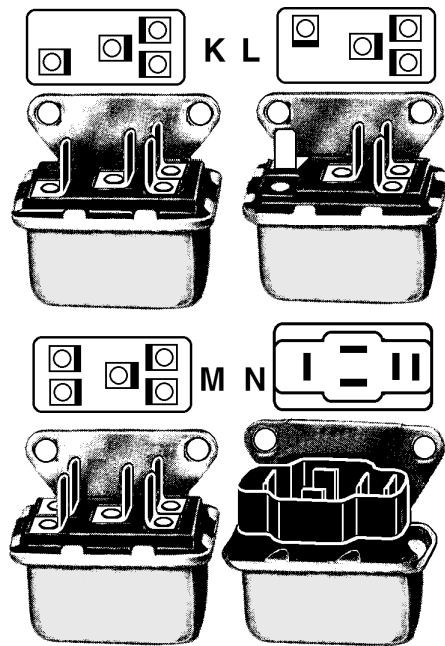


**Blower Motor Resistors**

|  |         |       |
|--|---------|-------|
| <b>A</b> 63-67 A.C. Blower Motor Resistor Why pay \$38.00? NOS manufacturer "Indak".   | 9220408 | 32.50 |
| <b>B</b> 63-67 Resistor Mounting Gasket Authentic die cut fiber.   | 8846139 | 3.95  |
| 63-79 except A.C. or 63-68 A.C. Wire Harness Resistor Connector molded plastic with wire harness leads to splice into the main harness | 8850143 | 7.00  |
| <b>C</b> 63-82 Resistor Mounting Screws Does 1 car. Pair   | 8850141 | 1.95  |
| <b>D</b> 63-79 except A.C. Blower Motor Resistor manufacturer "Indak".   | 8850140 | 9.95  |
| <b>E</b> 68 with A.C. only Blower Motor Resistor manufacturer "Indak".   | 9220410 | 18.00 |
| <b>F</b> 68 A.C. Resistor Mounting Gasket Authentic die cut fiber.   | 9220411 | 3.95  |
| <b>G</b> 69-71 with A.C. only Blower Motor Resistor manufacturer "Indak".  | 9220412 | 24.50 |
| <b>H</b> 69-71 A.C. Resistor Mounting Gasket Authentic die cut fiber.  | 9220413 | 3.95  |
| 69-75 A.C. Wire Harness Mounting Clamp mounts with a resistor mtg screw.   | 8848178 | 4.00  |
| <b>I</b> 72-82 A.C. only Blower Motor Resistor manufacturer "Indak".   | 9220414 | 24.25 |
| <b>J</b> 72-82 A.C. Resistor Mounting Gasket Authentic die cut fiber.  | 9220415 | 3.95  |



**Blower Motor Cut-Out Relays**



Compare the Quantity & Orientation of the "bayonet" type terminals on these relays to determine your model.

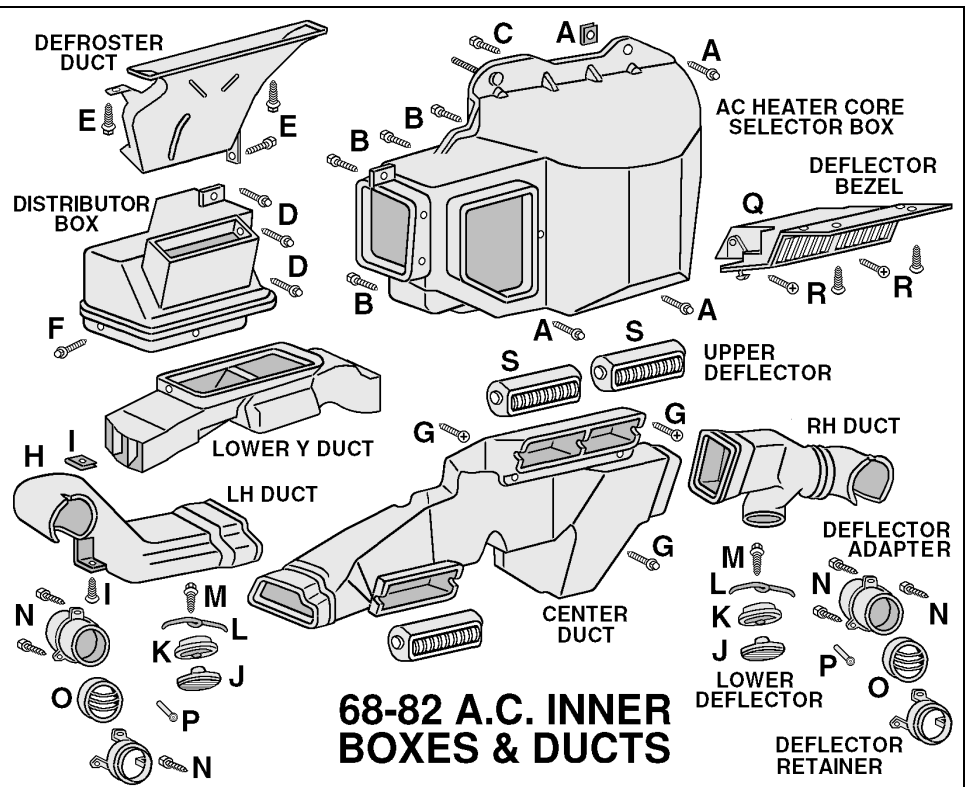
**NOT RETURNABLE if Factory Seal is Broken.**

|   |         |       |
|---|---------|-------|
| <b>K</b> 63-68 Blower Relay Delco   | 9220401 | 18.00 |
| <b>L</b> 69-Early 77 Blower Relay Aftermarket   | 9220520 | 21.00 |
| <b>L</b> 69-Early 77 Blower Relay Delco   | 9220422 | 29.75 |
| <b>M</b> Late 77-79 Blower Relay Aftermarket  | 9220522 | 16.00 |
| <b>M</b> Late 77-79 Blower Relay Delco  | 9220424 | 18.50 |
| <b>N</b> 79-82 Blower Relay Aftermarket   | 9220524 | 16.00 |
| <b>N</b> 79-82 Blower Relay Delco   | 9220426 | 17.70 |
| 63-75 Blower Relay 2 Piece Mounting Kit includes 2 indented hex washer head screws to mount the relay to the evap case. Does 1 car.                             | 8848180 | 2.20  |
| 76-82 Blower Relay 4 Piece Mounting Kit includes 2 indented hex washer head screws & 2 nuts to mount the relay to the plenum. Does 1 car.                       | 8848182 | 2.00  |
| 63-79 Blower Relay Harness Connector molded plastic with 3 wire harness leads to connect to the 3 ganged together bayonet terminals shown in the above picture. | 8848184 | 8.00  |

**68-82 AC Inner Boxes & Ducts**

|   |         |       |
|---|---------|-------|
| <b>A</b> 68-82 A.C. Heater Core Box 4 Piece Mounting Kit includes 3 indented hex washer head screws & 1 U-nut. to mount to firewall. Does 1 car.    | 8848138 | 3.15  |
| <b>B</b> 68-82 Heater Core Box Cover 5 Piece Mounting Kit indented hex washer head screws attach cover to the core box. Does 1 car.                 | 8848140 | 3.00  |
| <b>C</b> 68-82 Heater Core Tube Cover 2 Piece Mounting Kit indented hex washer head screws mounts heater core pipe cover plate. Does 1 car.         | 8848142 | 2.00  |
| <b>D</b> 68-82 Distributor Box 3 Piece Mounting Kit indented hex washer head screws attaches distributor to the heater core box. Does 1 car.        | 8848144 | 2.40  |
| <b>E</b> 68-82 Defroster Duct 3 Piece Mounting Kit indented hex washer head screws mounts duct to the under dash & the distributor box Does 1 car.  | 8848146 | 2.00  |
| <b>F</b> 68-82 Lower Y Duct Mounting Screw attaches to distributor box. Does 1 car.   | 8848148 | 1.00  |
| <b>G</b> 68-82 Center Duct 3 Piece Mounting Kit indented hex washer head screws mounts duct to the dash & the heater core selector box. Does 1 car. | 8848150 | 2.25  |
| <b>H</b> 69-73 LH Duct molded plastic includes riveted steel mounting bracket for attachment.   | 9222424 | 87.95 |
| <b>H</b> 74-77 LH Duct molded plastic   | 9222434 | 87.75 |
| <b>H</b> 78-82 LH Duct molded plastic   | 9222431 | 89.00 |
| <b>I</b> 68-77 LH Duct 2 Piece Mounting Kit includes mounting screw & U-nut. Does 1 car.  | 8844157 | 2.00  |

|  |         |        |
|--|---------|--------|
| <b>J</b> 68-77 Lower Duct Deflector Flat Ball Black molded plastic 2 reqd  | 8844152 | 10.50  |
| <b>K</b> 68-77 Lower Duct Deflector Adapter Black molded plastic 2 reqd  | 8844153 | 7.75   |
| <b>L</b> 68-77 Lower Duct Adapter Retainer Spring steel. 2 reqd.   | 8844154 | 4.50   |
| <b>M</b> 68-77 Lower Deflector Retainer Mount Screws Pair Indented hex head. Does 1 car.                             | 8844155 | 1.80   |
| <b>N</b> Side Deflector Ball Mount Kit mounts the deflector ball adapter & retainer to the back of dash. Does 1 car. |         |        |
| 68-77 6 Piece Mounting Kit   | 8848152 | 10.50  |
| 78-82 4 Piece Mounting Kit   | 8848154 | 4.50   |
| <b>O</b> 68-77 Deflector Chrome Ball Select from...<br>Repro Ball 2 reqd   | 8851116 | 19.95  |
| 78-82 Side Deflector rectangular Black molded plastic 2 reqd NOS GM  | 8844162 | 27.45  |
| 2 reqd China Repro   | 8844159 | 24.00  |
| <b>P</b> 68-77 Deflector Control Knob push-pull knob threaded on inside 2 reqd                                       | 8844137 | 6.00   |
| <b>Q</b> 69-76 Center Upper Dash Deflector Bezel Die cast Zinc Chrome plated includes 2 sets of deflectors. NOS      | 9222426 | 295.00 |
| <b>R</b> 69-76 Deflector Bezel 4 Piece Mounting Kit Chrome screw set Does 1 car.                                     | 8844158 | 3.00   |
| <b>S</b> 69-82 Upper Dash Deflector 2 reqd Select from<br>Black with Chrome Edge Only Repro                          | 8844163 | 12.50  |
| Black with Chrome Edge Only OEM  | 8844161 | 18.50  |
| All Chrome Deflector Repro   | 8844149 | 16.00  |
| All Chrome Deflector OEM   | 8844160 | 29.00  |



**68-82 A.C. INNER BOXES & DUCTS**