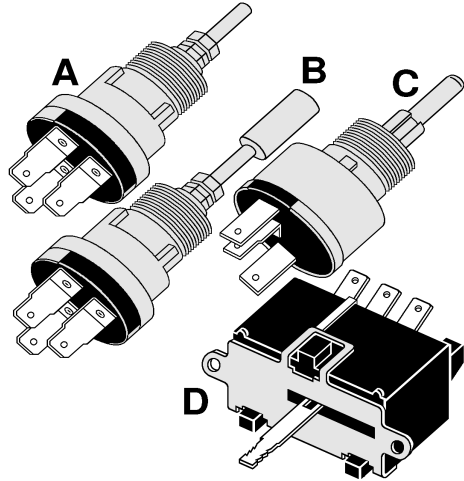


### Wiper Switch

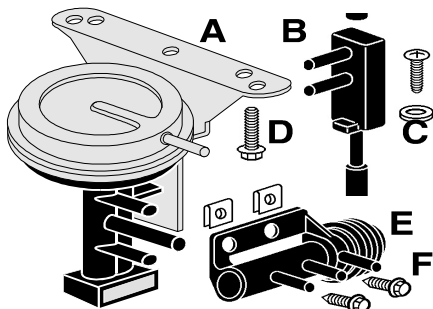
63-67 Wiper Switch Slotted Mounting Nut	these are not repro, these are NOS	1014634	15.75
<b>A</b> 63-64 Wiper Switch OEM		1014635	58.50
63-64 Wiper Switch Replacement		1014562	54.75
<b>B</b> 65-66 Wiper Switch OEM		1014636	58.50
65-66 Wiper Switch Replacement		1014563	54.50
<b>C</b> 67 Wiper Switch OEM		1014638	58.50
<b>D</b> 68-76 Wiper Switch OEM		1014660	58.50
68-76 Wiper Switch Replacement		1014564	56.50
68 Wiper Switch Mounting 2 Piece Kit	Includes 2 Nuts & 2 Washers.	1014535	1.95
72-76 Dash Housing for Wiper Switch (& AC Vents if AC)	no AC says <b>Off Hi Push &amp; Corvette</b>	1014655	75.00
AC is open for vents says <b>Off Hi Push</b>		1014656	75.00
69-76 Switch Mounting Screws Pair		1014536	1.95
68-72 Switch Knob says <b>Washer Push</b>		1014578	7.50
73-77 Switch Knob with Arrow		1014579	7.50
78-82 Switch Knob with Arrow		1014662	0.00



77 Wiper Switch except T&T	NOS	1014672	125.00
78-79 Wiper Switch exc Pulse	Delco	1014674	119.00
78 Wiper Switch with Pulse		1014677	0.00
79-82 Pulse Wiper Switch	Delco	1014675	0.00
<b>NEW</b> Pulse Wiper Bypass Connector Sets	restores the function to your wiper switch by bypassing the broken pulse controllers. Wipers will again work, but without delay mode.		
79 Pulse Bypass Connector 2 piece Set		1014718	33.60
80-82 Pulse Wiper Bypass Connector		1014492	22.40

### 68-72 Wiper Relay Valve

<b>A</b> 68-72 Wiper Door Relay Valve	controls up & down movement of wiper door or headlamps. Color coded dots identify the ports to aid vacuum hose hook-up		
Delco AC name molded in plastic		2771200	120.00
Foreign <b>Repro</b> molded MAD		2771198	69.00
<b>B</b> 68-72 Relay Mounting Screws Pair		2771320	1.95



### 68-72 "Pull Down" Switch

<b>C</b> 68-72 Wiper Door "Pull Down" Control Switch	NOS		
Pull down under the dash by the steering column & the wiper door or headlamps stay open. Blue & White dots allow proper hose hook-up. NOS GM			
Repro of above "Pull Down" Switch		2771202	65.00
3 Port Grommet for above		2777120	10.15
<b>D</b> 68-72 Manual Switch Mount 2 Piece Kit	mounts above switch to the dash. Does 1 car.	2771324	1.80

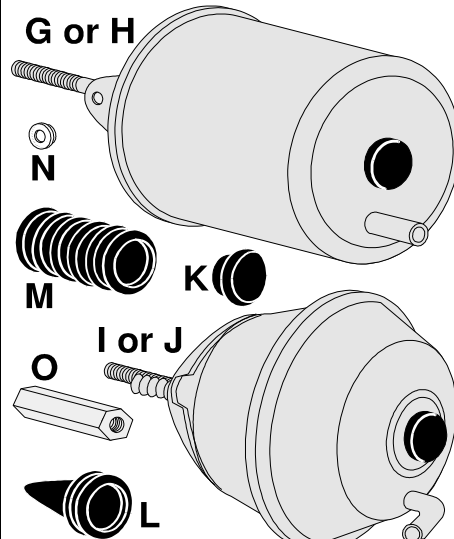
### 68-72 Wiper Safety Switch

<b>E</b> 69-72 Wiper Door Safety Switch	Delco		
Mounts next to the RH wiper arm to the prevents wiper door from closing if the wipers are operating. All ports are identified with colored dots to aid vacuum hose hook-up			
		2771405	59.60
<b>Repro Wiper Door Safety Switch</b>		2771410	24.00
<b>F</b> 69-72 Safety Switch 4 Piece Mounting Kit	Includes 2 Screws & 2 U-Nuts.	2771322	2.80

### Wiper Door Actuator

**All 68-72 Wiper Actuators include...**  
the front rubber plug, a rear cone shaped rolling grommet on late 69-72 plus a yellow plating finish

<b>G</b> Early 68 Wiper Door Actuator	"Tin Can" style with straight outlet tube. Early 68 has 1/4-20" threads on the rod.	2777220	199.00
<b>H</b> Late 68-E69 Wiper Door Actuator	"Tin Can" style with straight outlet tube. Late 68 has 5/16-18" threads on actuator rod.	2777221	199.00
<b>I</b> Late 69-Early 71 Wiper Door Actuator	Twin "Pie-Pan" style has a Straight Outlet Tube on the front of the actuator.	2777224	127.50
<b>J</b> Late 71-72 Wiper Door Actuator	Twin "Pie-Pan" style has Curved Outlet Tube on the front of the actuator.	2777225	127.50



<b>K</b> 68-72 Front Snap-In Plug		2771312	12.00
<b>L</b> Late 69-72 Piepan Actuator Rod Rolling Grommet Seal	This cone shaped grommet is often a source of the actuator vacuum leaks and includes installation instructions. Made in USA	1014670	14.50
69-72 above Grommet Imported		1014568	12.00

<b>M</b> 68-72 Actuator Rubber Accordion Boot	Note: Factory drawings are not accurate, clamps were NOT used on this boot.	1014666	11.90
<b>N</b> 68-72 Wiper Door Bushing 10 Piece Set	Molded plastic. Use 4 on wiper door to cowl linkage; use 2 on the wiper actuator rod; use 4 on the actuator	1014668	9.95
68-72 Actuator Nut tightens the adjusting nut.			
68 Actuator Nut 1/4-20"		2771326	0.90
69-72 Actuator Nut 5/16-18"		2771328	0.90

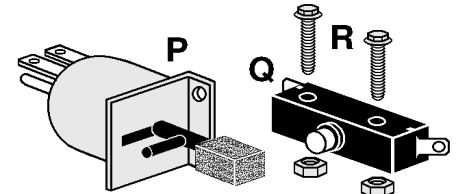
<b>O</b> 68-72 Actuator Adjusting Nuts	connect the actuator to mechanism & have LH threads at one end & RH threads at the other end.		
68 Adjusting Nut with 1/4-20" Threads	These are not repro, these are NOS & include the Green inspection mark.	2771316	25.00
69-72 Adjusting Nut	with 5/16-18" LH & RH Threads	2771318	18.00
Late 69-72 Wiper Actuator Mounting Nuts	Includes integral star washer. Pair	2771310	1.50

### NEW Fully Illustrated...

**68-82 Vacuum System Trouble SHOOTING GUIDE** © explains how to diagnose each component part for proper functioning. Why pay \$ 9.50 from Zip? 2777555 3.95

### 68-72 Solenoid & Limit Switch

<b>P</b> 68-72 Wiper Door Solenoid Switch	Opens the wiper door when the wipers are turned on. Mounts behind the tachometer. Colored dots identify the vacuum hoses connection. The port covered with foam is not connected to any hose.	2771407	Disc
---	---	---------	------

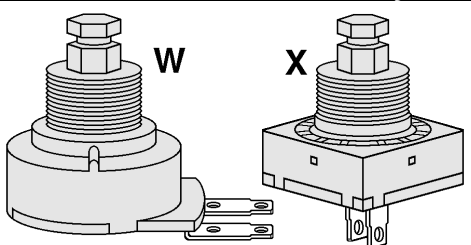


<b>Q</b> 68-72 Wiper Door Limit Switch	Only with White push button; Mounts to the left of the wiper actuator on the firewall. <b>Genuine GM</b>	1014671	30.00
<b>Replacement Limit Switch</b>		1014575	27.95
Solder the following Harnesses to the above Limit Switch.			
68 Switch Harness with Plug		1014750	24.50
69-72 Switch Harness with Plug		1014752	25.00
<b>R</b> 68-72 Limit Switch Mounting 6 Piece Kit	Includes 2 fine thread machine bolts, 2 nuts & 2 star washers. Does 1 car.	1014514	2.95

### 68-72 Wiper Door Mount

<b>T</b> 68-72 Wiper Door to Cowl Linkage Mounting	3 Piece Gasket Set Die cut Black sponge. Does 1 car.	1014664	3.50
<b>U</b> 68-72 Wiper Door or Actuator Shouldered Mounting Bolt	Use 1 on wiper actuator clevis; use 4 to mount the wiper door. NOS	1014667	5.95
<b>Repro Mounting Bolt Foreign.</b>		1014567	4.00
<b>V</b> 68-72 Wiper Door Bumper 4 Piece Set	Molded rubber pair with 2 pan head sheet metal mounting screws. Does 1 car.	1014538	5.80

### Control Switch & Relay



Control Switches mount under the steering column and park the wipers in the open position for service.			
68-72 authentic round Control Switch Knob		2771226	15.50
<b>W</b> 69 Control Switch no AC	NOS	1014699	100.00
68-72 Control Switch Replacement		1014678	20.50
<b>Note</b> on 68-69 the switch plug in arrangement is different			
<b>X</b> 68-72 Control Switch	NOS for 70-72	1014679	60.00
68-72 Control Switch to Dash Mounting Kit	with jamb nut & star washer.	1014516	9.50
68-72 Wiper Door Electrical Relay	allows the wiper motor to park the wiper arms for door closing. Mounts under the forward shifter console.	9220424	18.50