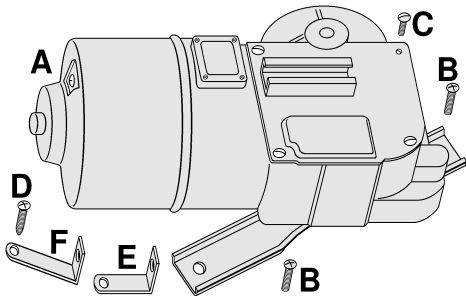


57-62 Wiper Motors

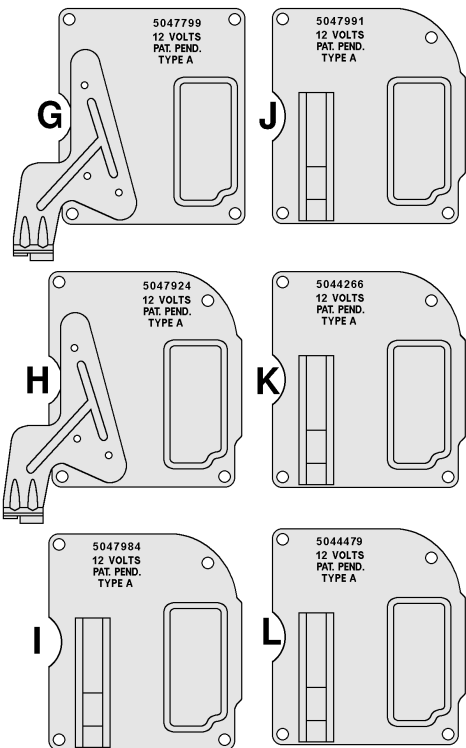


55-62 Wiper Motor Ground Wire	2515193	12.00
55-57 Wiper Motor Power Lead	2515186	12.00
58-62 Wiper Motor Power Lead	2515187	12.00

- A Motors** **Factory Part #**
 These wiper motors are rebuilt with a 1 Year Guarantee.
 Early 57 Motor 5047984 1014620 **293.00**
 Late 57 Motor 5047991 1014621 **293.00**
 58-Early 62 Motor 5044266 1014622 **293.00**
 Late 62 Motor 5044479 1014623 **293.00**
- B 58-62 Wiper Motor Mounting Screws** Pair
 Mounts motor to pulley plate. 1014509 **1.95**
- C 55-62 Cover Plate Mounting Screw 4** Piece Set
 Zinc plated slotted head style. 1014490 **2.00**
- Wiper Motor Firewall Support Bracket
- D 55-57 Support Bracket** 1014491 **0.00**
- E 58-62 Support Bracket** 1014492 **Disc**
- F 55-62 Support Bracket Mounting Screw**
 to the firewall. 1014483 **0.95**

54-62 Wiper Motor Cover Plate

Stamped steel with Cadmium plating finish and Part Numbers stamped on the surface.

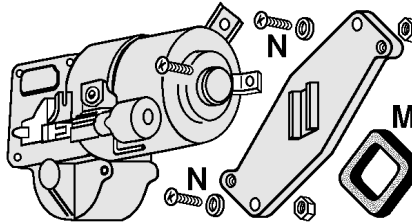


Factory Part #

G 54-Early 56 Plate	5047799	1014493	Disc
H Late 56 Early 57	5047924	1014494	Disc
I Mid 57 Plate	5047984	1014495	75.00
J Late 57 Plate	5047991	1014496	Disc
K 58-Early 62 Plate	5044266	1014497	75.00
L Late 62 Plate	5044479	1014498	75.00

58-62 Wiper Motor Pulley

- M 58-62 Transmission Plate Firewall Seal**
 Die cut rubber Black sponge rubber, helps prevent water damage to the cockpit. 1014618 **3.45**
- N 56-62 Transmission Plate 6 Piece Mounting Kit**
 Includes 2 machine screws, 2 lock washers & 2 nuts
Does 1 car. 1014506 **2.85**
- 56-62 Transmission to Cowl **4 Piece Nut Set**
 With star washers. **Does 1 car.** 1014507 **2.00**
- 53-62 Transmission Mounting Chrome Nut
2 reqd. 1014610 **5.50**



63-67 Rebuilt Wiper Motor

Rebuilt wiper motors carry a 1 year guarantee and include the motor & gear box assembly. They do not include the washer pump, crank arm or seal or grommets.

- A 63-64 OEM part # 5044518** 1014661 **Disc**
- B 65-67 OEM part # 5044602** 1014662 **Disc**
- 63-82 Wiper Motor Hardware**
- 63-67 Wiper Motor Brass Ground Terminal** 8862200 **4.95**
- C Wiper Motor Firewall Gasket** die cut sponge includes the center "slug" to keep its shape until installed.
 63-67 Authentic Gray Gasket 1014650 **3.50**
 68-82 Authentic Black Gasket 1014659 **3.50**
- D 63-82 Wiper Motor Crank Arm Seal**
 Molded Rubber made in USA. 1014549 **12.50**
- E 63-82 Crank Arm Mounting Nut** 1014554 **1.75**
- F 63-67 Wiper Motor Mounting Screw 3 Piece Set**
 Mounts motor to the cowl. 1014556 **2.00**
- G Wiper Motor to Firewall Mounting Grommets 3 reqd.**
 63-67 Firewall Mounting Grommet with threaded metal center hole to allow normal installation. Less expensive replacements without thread will not work 1014663 **7.00**
- 68-82 Firewall Mounting Grommet** 2760207 **3.95**
 above is a replacement if used on 63-67
- H 63-74 Washer Pump Mounting 4 Piece Screw Set**
 Indented hex head style. 1014481 **2.50**
- I 68-82 Motor Mounting Nut 3 Piece Set**
Does 1 car. 1014559 **2.20**

63-82 Wiper Motor Hardware

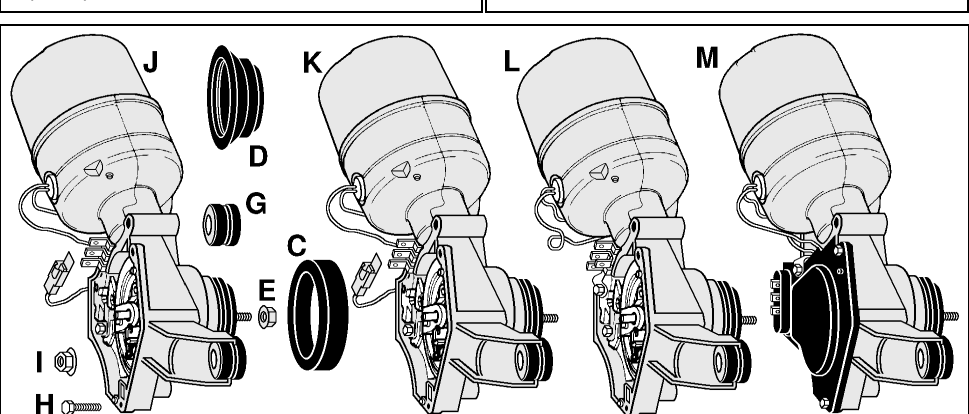
- 63-67 Wiper Motor Brass Ground Terminal** 8862200 **4.95**
- C Wiper Motor Firewall Gasket** die cut sponge includes the center "slug" to keep its shape until installed.
 63-67 Authentic Gray Gasket 1014650 **3.50**
 68-82 Authentic Black Gasket 1014659 **3.50**
- D 63-82 Wiper Motor Crank Arm Seal**
 Molded Rubber made in USA. 1014549 **12.50**
- E 63-82 Crank Arm Mounting Nut** 1014554 **1.75**
- F 63-67 Wiper Motor Mounting Screw 3 Piece Set**
 Mounts motor to the cowl. 1014556 **2.00**
- G Wiper Motor to Firewall Mounting Grommets 3 reqd.**
 63-67 Firewall Mounting Grommet with threaded metal center hole to allow normal installation. Less expensive replacements without thread will not work 1014663 **7.00**
- 68-82 Firewall Mounting Grommet** 2760207 **3.95**
 above is a replacement if used on 63-67
- H 63-74 Washer Pump Mounting 4 Piece Screw Set**
 Indented hex head style. 1014481 **2.50**
- I 68-82 Motor Mounting Nut 3 Piece Set**
Does 1 car. 1014559 **2.20**

53-82 Wiper Motor Service

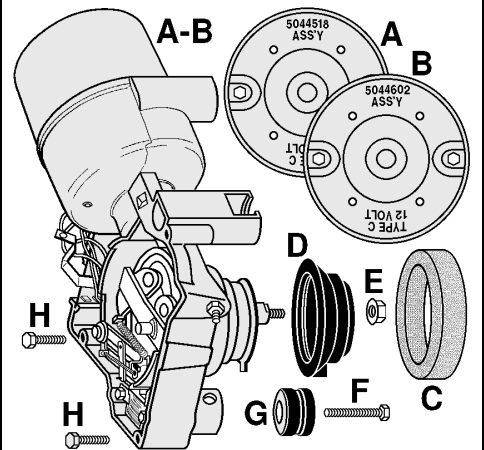
Wiper Motor Rebuild Services carry a 1 Year Guarantee. Includes complete disassembly, cleaning & testing. Polish of Aluminum surfaces, new firewall seal & washer valve. Allow 3 weeks. Some prices VARY quoted before START

Standard Service also includes Silver painting of Cadmium plated parts & Black valve 1014802 **185.00**

Deluxe Service also includes replating of Cadmium plated parts & White valve 1014804 **240.00**



63-67 Wiper Motor

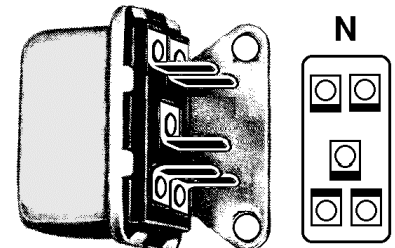


68-82 Rebuilt Wiper Motors

All of these are genuine Delco Brand Motors that have been professionally rebuilt. They are painted Black & do not include washer pumps. Select from ... Delco Rebuilt or Aftermarket Rebuilt.

Not Returnable If Factory Seal Broken

	Delco Rebuilt	Aftermarket Rebuilt
J 68	1014655 Disc	1014855 128.50
K 69-72	1014656 Disc	1014856 128.50
L 73	1014657 129.00	1014857 128.50
M 74-82	1014658 195.15	1014858 128.00



Not Returnable If Factory Seal Broken

N 68-72 Wiper Motor Relay Mounts under the shifter console	9220424	18.50
80-82 Wiper Motor Controller Module Mounts behind passenger seat	1014644	0.00

68-82 New Wiper Motors

Not Returnable If Factory Seal Broken

These are New Discontinued Delco Motors in the old Delco Boxes. A rebuildable Delco core of the same year must be Exchanged in Advance of Shipment.

68 Wiper Motor Assembly	1014955	595.00
69-72 Wiper Motor Assembly	1014956	595.00
73 Wiper Motor Assembly	1014957	595.00