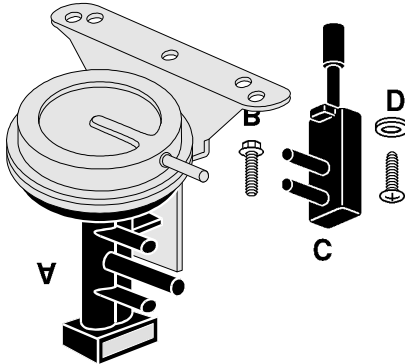


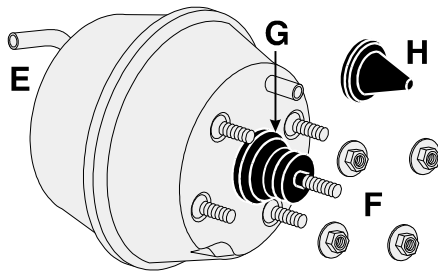
Relay Valve & Switch

- A** 68-82 Relay Valve
Controls up & down movement of the wiper door or the head lamps. 68-72 wiper door uses 1 relay valve; 68-69 head lamps use 1 relay valve; 70-82 head lamps use 2 relay valves. *Delco* 2771200 111.60
Repro 2771198 69.00
- B** 68-82 Relay Valve Mounting Screws Pair 2771320 1.95



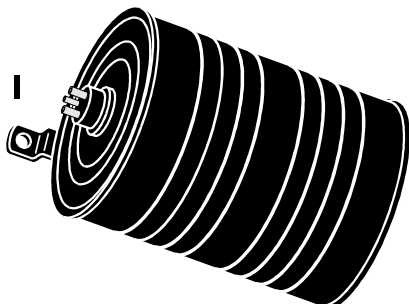
- C** 68-82 "Pull Down" Control Switch
Pull down on this mounted under the dash switch & the wiper door or the head lamps will remain in the open position for service. *Delco* 2771202 65.00
Repro "Pull Down" Switch 2771228 25.95
- D** 68-82 Manual Switch Mounting Kit
Mount switch to the dash. Includes 1 screw & 1 washer. Does 1 switch. 2771324 1.80

Head Lamp Actuators



- E** Head Lamp Actuator with Yellow Chromate plating includes diaphragm, accordion boot & rolling grommet
68-79 LH or 80-82 RH *Delco* 2777114 140.10
68-79 RH or 80-82 LH *Delco* 2777115 132.15
68-79 LH or 80-82 RH *Repro* 2777664 99.00
68-79 RH or 80-82 LH *Repro* 2777665 99.00
- F** 68-82 Head Lamp Actuator Mounting Nut & Piece Set
Flange design. Does 1 car. 2775224 3.00
- G** 68-82 Accordion Boot Only 2777122 10.90
- H** 68-82 Head Lamp Actuator Rod Grommet 2 req'd
Allows re pair of like y head lamp actuators, instead of replacing the actuator. USA 2777118 10.00
Replacement Actuator Grommet 2777616 10.00

Vacuum Tank



- I** 80-82 Vacuum Tank includes an integral weld on mounting bracket. It can be used as a replacement on 68-79 models. Discontinue d GM 2771209 95.00

Head Lamp Dash Switch

- 53-55 6 Volt Head Lamp Switch NOS 2485101 140.00
55-57 12 Volt Head Lamp Switch NOS 2485102 43.75
61-62 Switch Mounting Nut to dash 2485203 15.00
58-63 Head Lamp Switch USA 2485103 39.00
58-63 Head Lamp Switch Foreign 2485110 25.00
63-67 Head Lamp Rotator Switch
Mounts under the dash to rotate the head lamp "buckets" open & closed. NOS 2760201 175.85
63-67 Rotator Switch Mounting Nuts & Screws Set
Mount switch to the dash. 2760301 2.20
64-67 Head Lamp Switch USA 2485105 24.50
64-67 Head Lamp Switch Foreign 2485112 18.00
68-77 Head Lamp Switch includes the vacuum ports to connect the vacuum hoses USA 2485106 52.50
68-77 Head Lamp Switch Foreign 2485108 0.00
68-77 Head Lamp Door Opening Warning Switch
Mounts on the head lamp housing front link. 2 req'd. Also used for 74-Early 77 Alarm system switch in the fender. 1 req'd. 2485206 24.60
68-82 Warning Switch Mounting Jam Nut
Mounts above switch inside the head lamp housing. Does 1 car. 2775288 2.40
78-82 Head Lamp Switch includes the vacuum ports to connect the vacuum hoses 2485107 52.50
- Head Lamp Switch Rod, Knob, Bezel, Nut**
- 69-71 Head Lamp Switch Rod & Knob 2486201 14.75
72-76 Head Lamp Switch Rod & Knob NOS 2486204 33.80
77 Head Lamp Switch Rod & Knob 2486201 14.75
78-80 Head Lamp Switch Rod & Knob 2486208 20.85
81-82 Head Lamp Switch Rod & Knob 2486210 20.85
69-77 Head Lamp Switch Dash Bezel 2486220 18.00
78-82 Head Lamp Switch Dash Bezel 2486224 7.15
68-82 Head Lamp Switch Mounting Nut 2486225 7.65

Vacuum Hose Fittings & Clamps

- 73-79 Vacuum Tank Brass Hose Fitting
Screw into the center & the end of the tubular tank behind the front bumper.
Medium Fitting for Black hose 2771329 3.50
Large Fitting for Yellow hoses 2 req'd 2771330 3.75
77-82 Yellow Vacuum Hose Clamp OEM
use 4 pcs on head lamp actuator hose; use 2 pcs on 80-82 vacuum tank 4166982 3.50
80-82 Red Vacuum Hose Clamp OEM
use 1 piece on vacuum tank 4166947 1.50

68-82 Vacuum Hose Posters ©

Perfect for use in your shop or garage, these 11" X 17" Posters are completely laminated in thick clear plastic. These clearly illustrate the routing, sizes & color of all hoses & all other parts associated with the head lamp & wiper door system. A valuable reference.

Fully Colored - NOT Black & White

- 68 Vacuum Hose Diagram 2771801 12.50
69 Vacuum Hose Diagram
Specify the Location of the Wiper Relay:
Wiper Relay on RH Fender Skirt 2771802 12.50
Wiper Relay on the Firewall 2771803 12.50
70 Vacuum Hose Diagram 2771804 12.50
71-72 Vacuum Hose Diagram 2771805 12.50
73-79 Vacuum Hose Diagram 2771806 12.50
80-82 Vacuum Hose Diagram 2771807 12.50

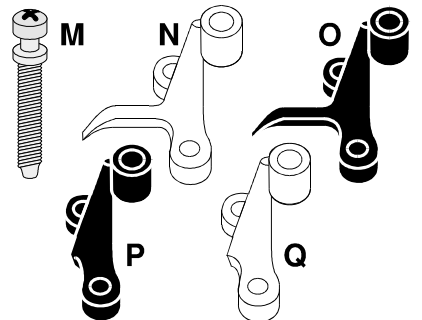
68-82 Vacuum Hose T-Pipes

- J** Small "T" Pipe for 5/32" hoses 2771220 2.75
K Large "T" Pipe for 9/32" hoses 2771221 2.95
L AC-Heater Vacuum "T" connects the heater & AC control hoses to the console. *Repro* 2771222 5.00
Above part genuine GM but not exact 2771227 12.50
AC-Heater Control Hose "T"-Pipe 2771224 2.50

Dimmer Switch

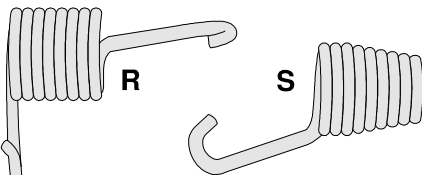
- 55-62 Dimmer Switch 2459101 20.40
55-67 Switch Grommet Plastic 2459105 6.00
55-67 Switch Grommet Rubber 2459104 10.00
63-76 Dimmer Switch *Delco* 2459108 10.90
68 Dimmer Switch Pad NOS 2447110 45.00
55-76 Switch Mounting Screws Pair 2459102 1.95
77-78 Dimmer Switch *Delco* 2459109 34.55
79-82 Dimmer Switch *Delco* 2459110 32.80

Head Lamp Bulb Adjuster



- M** 58-82 Head Lamp Adjusting Screws
Screw these in and out of the plastic adjusters to aim the head lamp bulb. 2 req'd per bulb; 8 req'd per car. 2737201 0.90
- Plastic Head Lamp Adjusters**
Use with above the adjuster screws. 2 req'd per bulb; 8 req'd per car.
- N** 58-63 White Adjuster 2737105 2.30
O 64-67 Black Adjuster NOS as an economical alternative you can use the above White adjusters -- the only difference is the color. 2737106 11.35
P 68-82 Black Adjuster *Repro* 2737107 4.00
Q 68-82 White Adjuster Replacement an economical alternative you can use the White adjusters -- the only difference is the color & foot 2737108 2.65

Head Lamp Tension Spring



- Both Designs with Yellow Chromate Plating Finish. Use 1 per bulb; Use 4 per car.
- R** 58-63 Head Lamp Springs Pair 2737301 4.00
S 64-82 Head Lamp Springs Pair 2737302 5.00

Adjuster & Screw Set

- Includes plastic adjusters, adjusting screws & all the hardware required to mount them to the housing. Does 1 car.
- M+N** 58-63 Adjuster & 64 Piece Set 2737501 20.00
M+O 64-67 Adjuster & 32 Piece Set 2737504 Disc
M+N 64-67 Adjuster & 32 Piece Set 2737515 20.00
M+P 68-82 Adjuster & 32 Piece Set 2737511 24.00
M+Q 68-82 Adjuster & 32 Piece Set 2737517 22.00

Adjuster & Spring Kit

- Includes plastic adjusters, adjusting screws & all the hardware required to mount them to the housing plus 4 head lamp tension springs... Does 1 car.
- M+N+R** 58-63 Adjuster & Spring Kit 2737503 28.00
M+O+S 64-67 Adjuster & Spring Kit 2737507 Disc
M+N+S 64-67 Adjuster & Spring Kit 2737518 28.00
M+P+S 68-82 Adjuster & Spring Kit 2737513 30.00
M+Q+S 68-82 Adjuster & Spring Kit 2737519 28.00