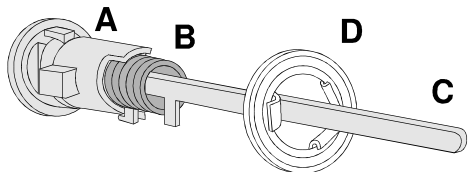


Dr REBUILD Credit Card ORDERING ONLY on (800) 8669 DOC 105

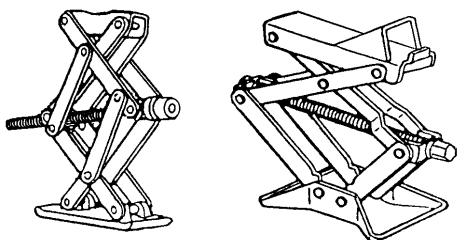
Trunk Lock

- A** 56-60 Coded Trunk Lock Cylinder & 2 Keys
Includes authentic concentric rings on the lock face & lock rod that must be cut to fit. 1224810 39.90
- 53-60 Lock Cylinder Face
has concentric ring ridges. 1055099 4.95
- A** 61-62 Coded Trunk Lock Cylinder & 2 Keys
Includes authentic flat & lock rod. 1224811 29.95
- B** 53-62 Trunk Lock Return Spring
Returns key to locked position. 1224814 4.50
- C** 56-62 Lock Rod Only
cut as required for 56-60 1224816 7.50
- D** 56-62 Lock Cylinder Trim Bezel *Compare them, ours is made of Stainless* 1224812 9.25
- 56-62 Trunk Lock Retainer
Authentic design Cadmium plated spring steel, not a generic replacement. 1224808 8.00



- 53-62 Octagon Head Key Blank 1224817 4.50
- 61-62 Trunk Lock Mechanism
Mounts on the body. NOS 1224818 45.00

Scissor Jacks



These scissor jacks feature an authentic design saddle, straps, base, rivets & markings.
These jacks =* are intended for show use, not for actual jacking.

- 53-61 Jack Assembly * 8820110 199.95
- 62 Jack Assembly * 8820111 209.95
- 63-Early 65 Jack Assembly *
Use up to VIN # 7,100 approx. 8820140 155.00
- Mid 65 Jack Assembly *
VIN # 7,100 to 21,000 approx. 8820141 155.00
- Late 65-67 Jack Assembly *
After VIN 21,000 approx. 8820142 155.00
- Early 68 Jack Assembly *
with hex nut on screw. 8820143 155.00
- Late 68 Jack Assembly *square nut on screw
Use after Feb. 1st approx. 8820144 155.00
- 53-82 Scissor Jack Assembly
Replacement for 53-77 models. This jack is fully functional & can be used. It will lift any of the 53-82 Vette. *Always follow your factory owners manual instructions before use.* 8820130 234.95

Lug Wrench & Jack Handle



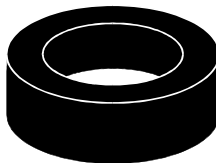
- 56-62 Lug Wrenches**
- E** 56-60 Wrench with Straight Tip 8820104 39.50
- F** 61-62 Wrench with Duckbill Tip 8820106 39.50

Folding Jack Handles

- 53-61 Replacement Jack Handle 8820146 37.25
- 53-61 Jack Handle with Duckbill End 8820108 39.50
- 62 Replacement Jack Handle 8820147 37.25
- 62 Jack Handle with 90 Degree End 8820109 39.50
- 63-82 Jack Handle & Wrench
Replacement design. 8820126 30.50

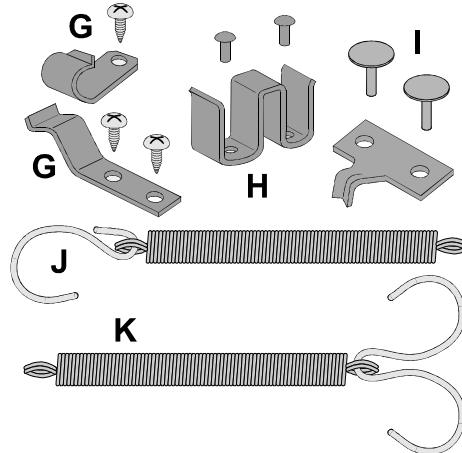
Jack Handle Bumper

- 65-82 Jack Handle Rubber Bumper
Authentic extruded rubber slips over end of the wrench to prevent annoying rattling. 8820125 4.00

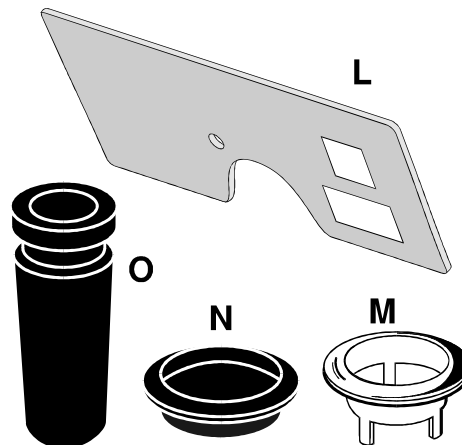


Jack Compartment

- G** 56-60 Jack Mounting Clips with 2 mounting screws.
Reproduction Clip Set 8820115 14.50
Replacement Clip Set 8820148 0.00
- H** 61-62 Jack Mounting Clip with 2 mounting rivets.
Reproduction Clip Set 8820116 12.00
Replacement Clip Set 8820149 11.20
- I** 63-82 Jack Spring Mounting Clips & Rivets
factory's style & OEM rivets 8820123 22.00
- J** 63-64 Jack Spring 1 hook 8820121 14.50
- K** 65-82 Jack Spring 2 hooks 8820122 13.75



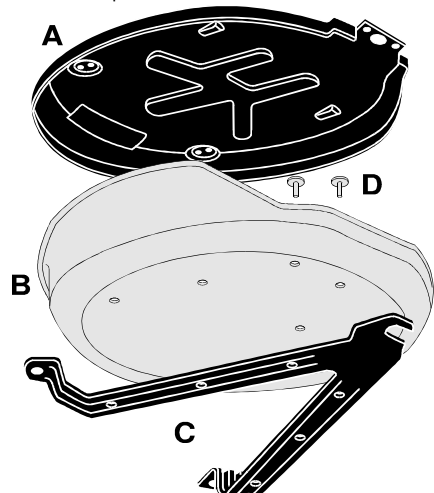
- L** 63-67 Jack Compartment Covers are oversize
Jack instructions & Posi Labels are not included.
with Coupe 8820118 20.95
with Convertible 8820119 20.95



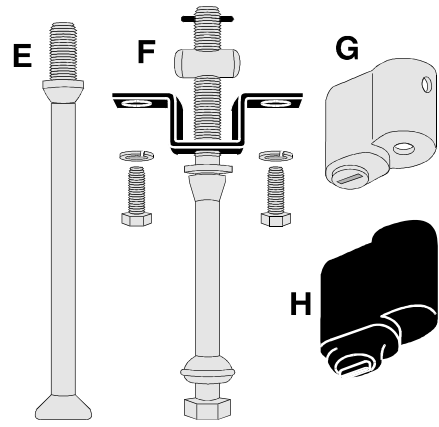
- M** 63-67 Chrome Lift Ring 8820120 8.40
- N** 63-67 Jack Compartment Drain Plugs Pair
O.E.M. black plastic. 8820124 3.00
- O** 68-82 Battery Compartment Plug
vents battery gases 2333148 9.50

68-82 Tire Carrier

- A** 68-82 Tire Carrier Upper Cover is UPS O/S
Black molded plastic. 7632145 79.75
- 68-82 Upper Cover 4 Piece Mounting Kit
Includes 2 hex washer head bolts with starter points & 2 flat washers. Does 1 car. 7632147 2.95
- B** 68-82 Tire Carrier Lower Tub is UPS O/S
Match Molded Fiberglass. 7632146 250.00
- C** 68-82 Lower Tub "V" Support Bracket UPS O/S
stamped steel. NOS 7632144 Disc
- D** 68-82 V-Bracket Mounting Rivet 6 Piece Set
NOS not reprod. Does 1 car. 7632150 2.50



- E** 68-79 Front Tire Bolt 2 reqd GM 7632140 0.00
- E** 68-79 Front Tire Bolt Pair Reppo 7632161 0.00
- 80-82 Front Tire Bolt 2 reqd 7632141 15.00
- 68-82 Rear Bolt Barrel Nut 7632132 12.50
- 68-82 Rear Bolt Cross Bracket Reppo 7632159 11.00
- 68-82 Rear Bolt Cross Bracket NOS 7632133 20.00
- 75-82 License or 78-82 Spare Tire Lamp *Select from...*
Current GM part Made in Korea. *Yes made in Korea & it's molded in surface.* 2700601 14.50
NOS old discontinued lamp *Made in U.S.A. & it's molded "Made In U.S.A."* 2700603 75.00
- F** 68-82 Rear Lock Bolt Assembly 9 Piece Set with everything needed to mount rear bolt includes plated lock bolt, plated barrel nut, spacer, cross bracket, roll pin & 4 piece set of mounting hardware.
- 68-74 Rear Lock Bolt Assembly Reppo 7632135 79.95
- 75-77 Rear Lock Bolt Assembly Reppo 7632136 100.00
- 78-82 Rear Lock Bolt Assembly NOS 7632137 75.00
- 78-82 Rear Lock Bolt Assembly Reppo 7632160 0.00



63-82 Spare Tire Lock

- G** 63-82 Spare Tire Lock includes keyed lock cylinder and 2 keys. Prevent theft of your spare tire. 7632130 41.95
- H** 63-82 Rubber Lock Cover
Slides over the above lock to prevent water and dirt from clogging the lock cylinder. 7632131 11.25