

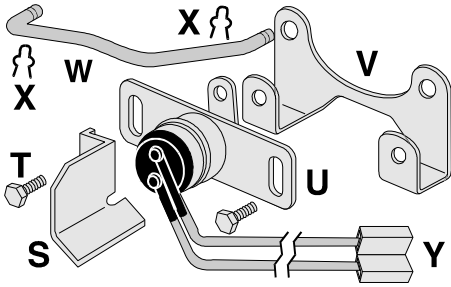
180 Dr REBUILD Credit Card ORDERING ONLY on (800) 8669 DOC

4 or 3 Spd Back-Up Switch

See pg 92 for Auto Back-Up & Safety Switch

- S** 56-73 Switch Heat Shield essential to lessen heat transfer from exhaust pipes 2660152 **8.50**
- T** 56-81 Back-Up Switch Mount Kit with 2 Screws with Star Washers. 2660149 **2.20**
- U** Back-Up Lamp Switch with Harness & Plug 2660146 **59.00**
- 63-67 Back-Up Switch 2660150 **57.75**
- 68-77 all + 78 **L-82** Switch NOS 2660159 **19.95**
- 78 **L-48** Back-Up Switch NOS 2660157 **62.50**
- 79- **Early 80** Back-Up Switch 2660158 **69.75**
- Late 80-81 Back-Up Switch

Early 80 has a Plastic "T"-Shaped Connector
Late 80 has a Round Molded Rubber Connector

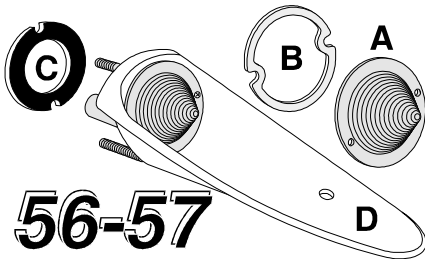


Back-Up & Neutral Safety Harness Extension

Early 77 has a Alarm Switch mounted in Fender
Late 77 has a Alarm Switch mounted in Door

- 69-76 and Early 77 Extension 4004516 **17.50**
- Late 77 Extension 4004520 **30.95**
- 78 L-48 Switch Harness 4004528 **18.95**
- 78 L-48 & L-82 Extension 4004522 **30.50**
- 79 Extension 4004524 **15.95**
- 80-81 Extension 4004526 **17.00**
- V** 63-73 Switch Mtg Bracket OEM not repo 2660151 **20.80**
- W** 64-67 BackUp Rod & 2 Hairpin Clips 2660154 **10.50**
- W** 68-74 BackUp Rod & 2 Hairpin Clips 2660153 **20.80**
- 75-81 Back-Up Switch Rod this part is discontinued
Substitute 68-73 rod - heat and bend as required.
- 75-81 Rod Retainers only Pair 2660156 **3.00**
- X** 56-74 Hairpin Clips only Pair 2660148 **2.50**
- 74-81 Back-Up Switch Mounting Bracket is discontinued, but the 63-73 back-up switch mtg bracket can be used with no modification, providing the 56-73 heat shield is also used
- Y** 63-77 Wire Harness Plastic Connector 1148100 **5.00**

56-57 Tail Lamp



- A** 56-57 Tail Lamp Red Lens 2660105 **21.00**
- B** 56-57 Tail Lamp Lens Gaskets Pair Die cut thick Cork as factory. 2660106 **3.00**
- C** 56-57 Tail Lamp to Body Gaskets Pair Die cut Black Neoprene rubber. 2660107 **3.00**
- D** 56-57 Chrome Tail Lamp with Red Lens plus gaskets & hardware 2 reqd 2660104 **295.00**
- 56-57 Tail Lamp Red Pair of above 2660135 **577.00**

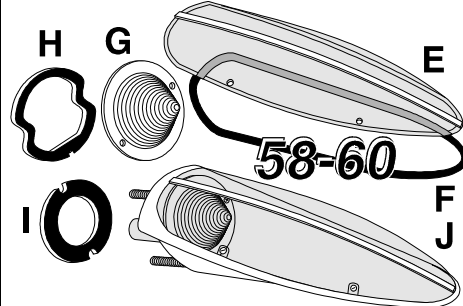
58-60 Tail Lamp

- E** 58-60 Red Outer Lens with Stainless trim strip, Made in Michigan 2 reqd 2660110 **49.50**
- Made in Ohio 2 reqd 2660137 **59.50**
- F** 58-60 Outer Lens Gaskets Cord like Black sponge rubber with a staple joining the ends, just like factory. Pair 2660111 **9.00**

- 63-73 Tail or Back-Up Lamp Accordion
- Boot** Quality molded rubber 4 reqd 2660121 **12.00**



- Wire Harness Connectors with 2 ears, Push in and turn
- 56-73 Tail Lamp Plastic Connector 2660125 **12.00**
- 63-73 Back Up Lamp Plastic Connector 2660124 **12.50**



- G** 58-60 Round Clear Inner Lens Select from... Replacement clear lens 2 reqd 2660108 **7.50**
- Authentic lens & markings 2 reqd 2660114 **11.50**
- H** 58-60 Inner Lens Gaskets air Die cut Black sponge rubber. 2660140 **3.00**
- I** 58-60 Lamp to Body Mounting Gaskets Pair Die cut Black Neoprene rubber. 2660107 **3.00**
- J** 58-60 Chrome Tail Lamp with Lenses plus gaskets & hardware 2 reqd 2660112 **295.00**
- 58-60 Tail Lamp Red Pair of above 2660136 **577.00**

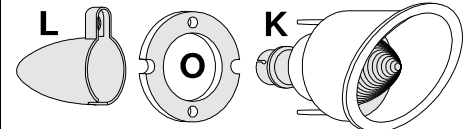
Tail Lamp Reflector

- U** 58-60 Rear Reflector Chrome Bezel Quality Chrome plating, 2 reqd 2660115 **18.90**
- V** 58-60 Red Rear Reflector Authentic molded Red plastic, not the current over sized thick replacement, 2 reqd 2660116 **20.00**
- U+V** 58-60 Rear Reflector 5 Piece Kit Includes authentic Red reflector, chrome bezel, "L" mounting bracket, lock washer & mounting nut. Does one side, 2 kits reqd 2660117 **37.50**
- W** 58-60 Tail Lamp Reflector Gasket 4 Piece Set With 2 reflector lens gaskets & 2 reflector bezel gaskets. Does 1 car. 2660118 **4.25**



61-62 Tail Lamp

- K** 61-62 Complete Tail Lamp with chrome housing, lens, gaskets & lamp socket. LH Inner Lamp NOS in box 2660131 **125.00**
- LH & RH Inner Lamps Pair 2660133 **179.00**
- LH & RH Outer Lamps Pair 2660134 **179.00**
- Inner + Outer Lamp 4 Piece Set 2660132 **319.00**
- L** 61-62 Tail Lamp Gray Protector Cone 4 Piece Set protects socket in trunk, 4 reqd 2660123 **36.00**

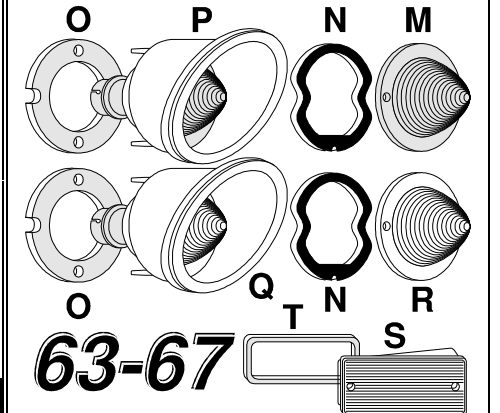


- M** 61-67 Tail Lamp Red Lens 2660128 **10.75**
- 61-67 Lens Mounting 8 Piece St Does 1 car Select Chromed Stainless steel set 2660267 **5.95**
- Zinc plated steel set 2660269 **2.95**
- N** 61-67 Tail Lamp Lens Gaskets 4 Piece Set Die cut Black sponge rubber. 2660141 **6.00**
- Die cut Blond Cork Rubber blend 2660142 **6.00**

- O** 61-67 Lamp to Body Mounting Gasket 4 Piece Set Die cut Gray sponge rubber. 2660127 **6.00**
- 61-67 Tail Lamp to Body Mounting Nut 8 Piece Set Does 1 car. 2660204 **2.95**

- P** 63-67 Complete Tail Lamp Assembly Includes chrome housing, lens, lens screws, inner & outer gaskets & lamp socket. Select from...
USA Repto **NOS in box**
- LH Outer 2660250 **72.50** 2660210 **Disc**
- RH Outer 2660251 **72.50** 2660211 **Disc**
- LH Inner 2660252 **72.50** 2660212 **95.00**
- RH Inner 2660253 **72.50** 2660213 **Disc**

- 63-67 Reproduction Tail Lamp 4 Piece Sets** with 2 complete Red inner & 2 complete Red outer tail lamps
- China Tail Lamp Set. 2660466 **239.00**
- USA Tail Lamp Set. 2660254 **279.00**



- Q** 63-66 Back-Up Lamp Assemblies Include chrome housing, lens, inner & outer gaskets & lamp socket. Select from...
USA Repto **NOS in box**
- LH Inner 2660255 **72.50** 2660205 **99.00**
- RH Inner 2660256 **72.50** 2660206 **0.00**
- 63-66 Repto Tail & Back-Up Lamp 4 Piece Set** with 2 complete Red outer & 2 complete Clear inner bk up lamps. China Tail Lamp Set. 2660468 **249.00**
- USA Tail Lamp Set. 2660257 **279.00**

- R** 63-66 Clear Back-Up Lens Quality made in U.S.A., 2 reqd 2660108 **7.50**
- S** 67 LH Back-Up Lens NOS 2660119 **30.00**
- 67 RH Back-Up Lens NOS 2660120 **45.00**
- S** 67 LH + RH Back-Up Lens Repto Pair 2660126 **58.95**
- T** 67 Back-Up Lamp Gaskets Pair Die cut Gray sponge rubber. 2660113 **3.00**

Lamp Socket & Pigtaills

- Splice these "pigtail" wire leads into your harness to repair lamp sockets with broken side prongs or rusted contacts.
- 53-73 Tail Lamp Socket with Pigtail Lead 2-4 reqd. 2660125 **12.00**
- 63-73 Back Up Lamp Socket With Pigtail Lead 2 reqd. 2660124 **12.50**
- 68-82 Marker Lamp Bulb Socket or 74 License Lamp Socket With Lead 2-6 reqd. List \$ 7.05 2575090 **7.50**
- 75-82 License or 78-82 Spare Tire Lamp Socket 1-2 reqd. List \$ 6.75 2575088 **8.50**
- 74 Tail Lamp Socket 2 reqd. List \$ 15.65 2575086 **9.95**
- 75-82 Tail Lamp Socket 2 reqd. List \$ 19.95 2575084 **9.95**
- 74-79 Back-Up Lamp Socket 2 reqd. List \$ 22.10 2575082 **9.95**
- 80-82 Cornering Lamp Socket or 80-82 Back-Up Lamp Socket 2 reqd. List \$ 18.55 2575074 **9.95**
- 70-79 Parking Lamp Socket 2 reqd. List \$ 15.40 2575078 **14.00**
- 80-82 Parking Lamp Socket WOW only 26.50 from Zip 2 reqd. List \$ 29.50 2575076 **14.50**

more Socket & Connector see Page 168