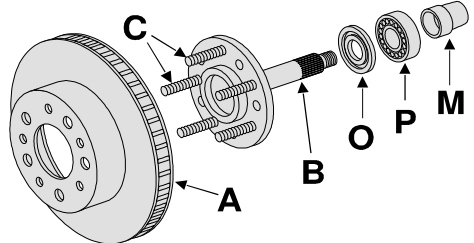


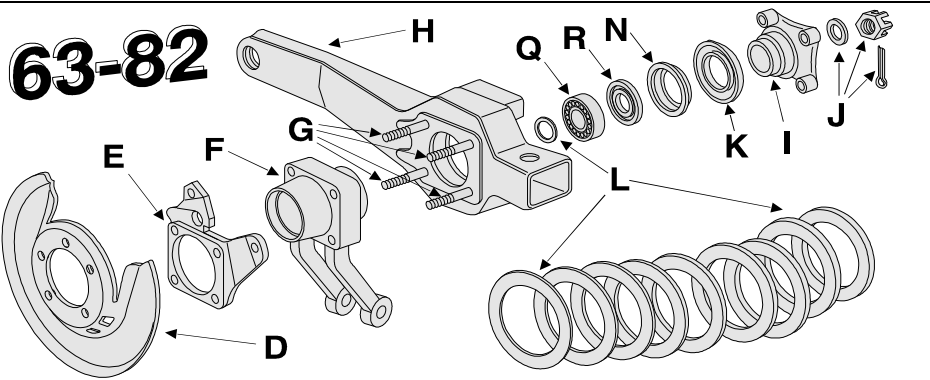
Rear Spindle & Support

- A** 65-82 Disc Brake Rotor 5400210 59.50
- 65-82 Rotor Rivet 5 Piece Set 6000410 6.00
- B** Rear Spindle 2 reqd *Select from...*
- 63-65 Drum Brake Spindle **Repro** 5400224 149.00
- 63-65 Drum Brake Spindle **NOS** 5400218 0.00
- 65-82 Disc Brake Spindle **Repro** 5400226 148.00
- 65-82 Disc Brake Spindle **OEM** 5400220 199.50
- C** Spindle 5 Piece Stud Set * Grade 8 4 sets reqd
- 63-64 Drum Brake Stud Set 6000134 7.50
- 65-82 Disc Brake Stud Set **Repro** 6000138 12.00
- 63-82 Lug Nut 20 Piece Set Does 1 car except Aluminum wheels. 6000135 14.00
- D** Caliper Splash Shield with Pkg Brake Shoe Mounting Nut
- 65-75 LH Rear Shield **Silver** 5400205 38.90
- 65-75 RH Rear Shield **Silver** 5400206 38.90
- 76-82 LH Rear Shield **Gold** 5400207 38.90
- 76-82 RH Rear Shield **Gold** 5400208 38.90



- E** 65-82 Caliper Adapter Bracket *Select*
- Repro** LH 5400285 84.50 RH 5400286 84.50
- NOS** LH 5400202 93.75 RH 5400203 93.75
- F** 63-82 Cast Iron Spindle Support Bracket *Select*
- Repro** LH 5400287 175.00 RH 5400288 175.00
- NOS** LH 5400211 199.00 RH 5400212 199.00

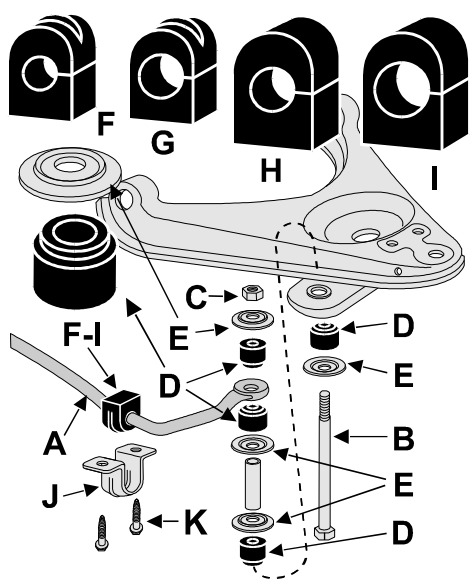
63-82



- G** C/Arm to Spindle Support 12 Piece Mount Kit with 4 nuts * 4 Grade 300 Studs & 4 l.washer 2 reqd 7504260 12.50
- New Rear Control Arm includes mounted Bushings
- H**
- 63-64 USA LH C/Arm 185.00 RH C/Arm 185.00
- 65-82 USA 7504261 185.00 7504264 185.00
- 65-82 Import 7504819 175.00 7504820 175.00
- 63-64 LH + RH Control Arms USA pair 7504821 369.00
- 65-82 LH + RH Control Arms USA pair 7504822 369.00
- 65-82 LH + RH Control Arms **Import** pair 7504823 349.00
- New Complete Control Arm with Spindle, Rotor, Bearings
- 65-79 LH 7504805 799.00 RH 7504806 799.00
- 80-82 LH 7504807 799.00 RH 7504808 799.00
- I** 63-79 Spindle Flange 2 reqd **NOS** 5400242 135.00
- Repro** 5400284 68.00
- J** Flange 6 Piece Mounting Kit with 2 castle nuts, 2 special washers & 2 cotters. Does 1 car. 5400244 19.75
- K** 63-82 Flange Deflector 2 reqd 5400240 4.25

- L** 63-82 Rear Wheel Bearing 6 Piece Shim Kit Includes 6 different shims, from 145 to 97 thousandths of an inch thick. OEM. 2 sets reqd 5400235 0.00
 - M** Bearing Spacer **NOS** 2 reqd 5400233 19.95
 - M** Bearing Spacer **Repro** 2 reqd 5400241 12.25
 - L+M** Bearing Shim & Spacer 10 Piece Kit **Repro** Includes 9 shims & 1 spacer 5400243 41.00
 - N** Inner Bearing Dust Shield 5400238 5.00
- Rear Wheel Bearings**
- 2 reqd on each *Delco* *Repro*
- O** Outer Bearing Seal 5400230 15.75 5400291 9.00
 - P** Outer Bearing 5400232 24.75 5400292 17.50
 - Q** Inner Bearing 5400236 29.40 5400293 19.50
 - R** Inner Bearing Seal 5400237 18.00 5400294 8.00
- O+P+Q+R** Inner & Outer Rear Wheel Bearing & Oil Seal 4 Piece Kit Does 1 wheel 2 reqd *Select from...*
- Repro Kit** 6000221 36.95
 - Genuine **GM Delco Kit** 6000220 67.00

Front Sway Bar

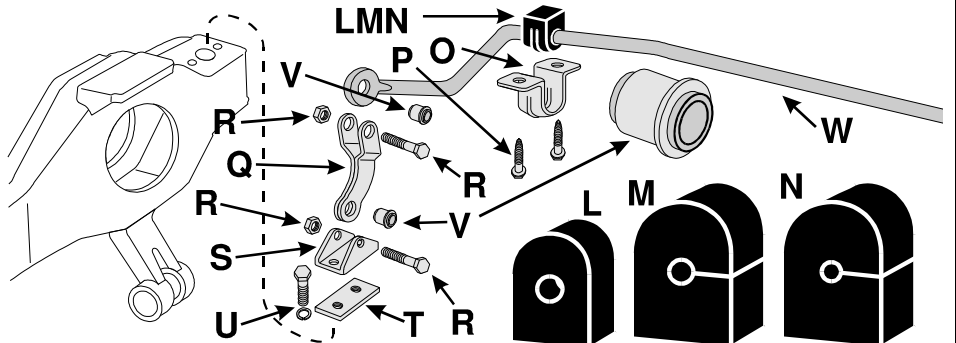


- A** 63-82 Front Sway Bar 1" OD with HD Suspension UPS O/S reproduction 7240214 118.00
- A** 63-82 Front Sway Bar 1" OD with HD Suspension UPS O/S replacement 7240256 105.00
- A** 63-77 Gymkhana Front Sway Bar 15/16" OD UPS O/S with F40 or F41 or Z07 accurate 7240260 184.50
- B** 63-82 "WB" Bolt Fine Thread 2 reqd 7240210 3.50
- C** 63-82 Link Nut 2 reqd 7240108 0.95
- D** 63-82 Grommet 8 Piece Set 7240109 7.75
- E** 63-82 Grommet Retainer 8 Piece Set Thick Style. Does 1 car 7240110 7.50
- B+C+D+E** 63-82 Front Sway Bar Link Kit with 2 fine thread link bolts, 2 spacers, 2 nuts, 8 grommets & 8 Thick retainers (not Roosevelt dimes) Does 1 car. 7240255 15.00

Front Sway Bar to Frame Bushings

- OEM Molded Rubber is Authentic 2 reqd on each
- Replacement Molded Rubber is generic 2 reqd on each
- F** 63-67 Bushing **Standard** Susp OEM 7240215 10.50
- 63-67 Bushing **Standard** Susp *Replmt* 7240257 7.50
- G** 63-67 Bushing **Heavy Duty** or 65-67 Big Block
- OEM 7240217 7.60
- Replacement* 7240258 8.00
- H** 68-74 Bushing **Standard** Suspension or 75-82 Bushing **except FE-7 HD** Susp.
- OEM 7240218 10.50
- Replacement* 7240259 10.25
- I** 75-82 Bushing **with FE-7 HD** Susp. 7240219 9.50
- J** 63-67 Bushing Mtg Bracket 2 reqd 7240225 10.00
- J** 68-82 Bushing Mtg Bracket **OEM** 2 reqd 7240227 9.50
- K** 63-82 Bushing Bracket 4 Piece Mounting Kit With * Grade 300 bolts with flat washers. Does 1 car. 7240229 5.95
- L** 65-67 Rear Bushing **Repro** 7242203 13.75
- L** 65-67 Rear Bushing **GM discontinued** 7242205 15.00
- M** 68-74 Rear Frame Bushing **OEM** 7242206 10.50
- N** 75-82 Rear Frame Bushing 2 reqd 7242207 0.00

Rear Sway Bar



- O** 65-67 Bushing Mount Bracket 2 reqd 7240225 10.00
- 65-67 Bracket **Spacer** 2 reqd 7242221 7.35
- O** 68-82 Bushing Mtg Bracket 2 reqd 7240227 9.50
- P** 65-82 Bushing Bracket 4 Piece Mounting Kit With 4 special bolts. Does 1 car. 7240229 5.95
- Q** 65-82 Link "Y" Bracket 2 reqd **Repro** 7242210 11.50
- Q** 65-82 Link "Y" Bracket 2 reqd **NOS** 7242230 17.50
- R** 65-82 Y-Link 8 Piece Mounting Kit with 4 bolts & 4 lock nuts. Does 1 car. 7242202 4.25
- S** 65-82 "U" Link Bracket 2 reqd **Repro** 7242211 9.50
- S** 65-82 "U" Link Bracket 2 reqd **NOS** 7242232 11.00
- T** 65-82 Plated Nut Plate 2 reqd 7242212 6.00
- U** 65-82 U-Shaped Link Bracket 8 Piece Mounting Kit with 4 bolts & 4 lock washers. Does 1 car 7242214 3.50
- V** 65-82 Rubber Bushing with Steel Insert 4 reqd **NOS** Bushing 7242218 8.00
- Repro** Bushing 7242224 7.65
- V** OEM Rear Bushing 4 Piece Set 6000216 31.95
- V** **Repro** Rear Bushing 4 Piece Set 6000215
- W** Rear Sway Bars all are UPS Oversize = O/S
- 65-67 Bar 9/16" dia **without** KICK 7240208 198.50
- 68-74 Bar 9/16" dia **with** KICK 7240212 198.00