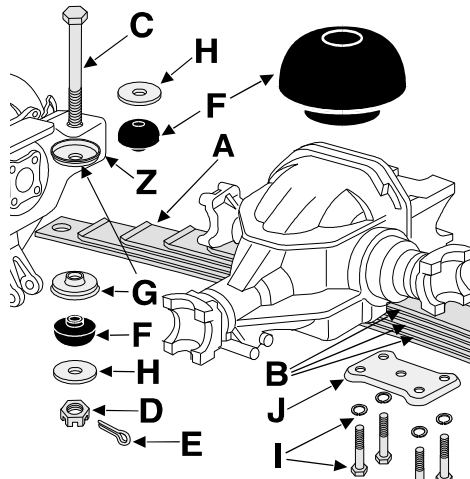


Leaf Spring & Mounting

- A** Rear Leaf Springs: *all are UPS Oversize = O/S.*
 63-77 **9 Leaf Standard** 7504205 **149.00**
 63-77 **9 Leaf Standard replacement** 7504222 **139.00**
 63-75 **7 Leaf Heavy Duty** 7504206 **129.00**
 78-79 **9 Leaf Spring** 7504207 **147.00**
- B** 63-77 **Liner 7 Piece Set** 7504209 **42.00**
 63-82 Leaf Spring **16 Piece Mounting Kit** includes authentic cross drilled Grade 300 Bolts with Castle Nuts - Not plain bolts & nuts. Also includes 2 cotter pins, 4 rubber cushions, 4 flat outer retainers and 2 inner cupped retainers as follows
Includes 2-C, 2-D, 2-E, 4-F, 2-G, 4-H.
 OEM Mounting Kit Does 1 car. 7504212 **85.00**
Repro Mounting Kit Does 1 car. 7504810 **44.00**

	Quan	Reqd	GM	Repro
C Gr 8 Mount Bolt	2		7504215 29.75	7504829 10.00
D Castle Nut	2		7504216 2.95	7504830 3.00
E Cotter Pins Pair	1		7504217 0.95	7504217 0.95
F Rubber Cushion	4		7504218 4.00	7504831 3.00
G Cupped Retainer	4		7504220 3.50	7504833 3.50
H Flat Retainer	4		7504219 3.95	7504832 3.25

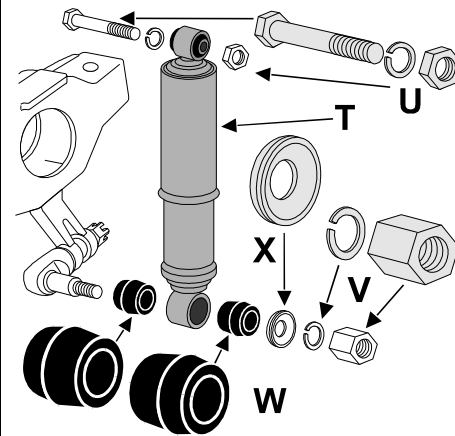


- I** 63-77 Spring to Differential **8 Piece Mounting Kit USA**
 Includes 4 ★ Grade 300 bolts with 4 lock washers.
 Uses 9/16" dia. bolts. Does 1 car 7504225 **18.50**
Above Mtg Kit Import. Does 1 car 7504834 **13.00**
- I** 78-79 Spring to Differential **12 Piece Mounting Kit USA**
 Includes 4 ★ Grade 300 bolts, 4 flat & 4 lock washers
 Uses 7/16" dia. bolts. Does 1 car. 7504226 **28.50**
Above Mtg Kit Import. Does 1 car 7504835 **15.00**
- J** 63-77 Spring Anchor **Plate Repro** 7504814 **19.00**
J 63-77 Spring Anchor **Plate NOS** 7504227 **29.00**
J 78-79 Spring Anchor **Plate NOS** 7504228 **17.50**
 78-79 Leaf Spring **Spacer 2 reqd** 7504224 **14.00**

Strut Rods & Bushings

- K** 63-82 Shock & Strut Rod Support **Shaft** *list \$ 59.40*
LH Shaft **RH Shaft**
Reproduction 7504233 **44.75** 7504234 **44.75**
Replacement 7504816 **41.75** 7504817 **41.75**
- L** Shaft **Castle Nuts Pair Does 1 car** 7504236 **4.00**
- M** Nut **Cotter Pins Pair Does 1 Car.** 7504237 **0.95**
- N** 63-79 Strut Rod **2 reqd Note** Bushings **Diameter**
Repro Rod USA 1 7/32" Bsg. 7504818 **49.50**
Genuine Factory Rod 1 3/8" Bsg. 7504240 **0.00**
Repro Rod USA 1 3/8" Bsg. 7504244 **50.00**
Foreign Rod 1 3/8" Bsg. 7504827 **46.50**
- O** Strut **Bushings Check Bushing Outside Diameter 4 reqd**
Bushing diameter Repro OEM
 63-74 Small 1 7/32" 7504802 **13.50** 7504241 **22.85**
 74-82 Large 1 3/8" 7504828 **14.95** 7504239 **30.50**
- P** Bushing **Cap 4 Pieces Does 1 car** 7504242 **8.50**
- Q** 63-82 Strut Rod **Cam Bolt Adjusting 4 Piece Kit** with 1 cam bolt with cap, 1 wide nut & 1 lock washer. **2 reqd**
NOS GM Cam Bolt Kit w/ degree marks 7504235 **47.50**
Repro Cam Bolt Kit with degree marks 7504812 **24.95**
Repro Cam Bolt Kit no degree marks 7504270 **15.00**

- R** 63-67 Strut Rod **Mtg Bracket NOS** 7504247 **150.00**
 68-79 Strut Rod **Mtg Bracket NOS** 7504238 **57.50**
- S** 63-79 Strut Rod **Bracket to Diff 12 Piece Mounting Kit**
 With 4 ★ Grade 300 bolts, 4 flat washers & 4 lock washers. **Does 1 car.** 7504246 **5.50**
- ### Delco Shock Absorber
- T** 63-82 Heavy Duty Gas Charged **Delco Shocks** with a **Lifetime Warranty** 7504223 **38.00**
T 63-82 **F-41 or FE-7 Shock** 7504804 **109.00**
T 63-82 Heavy Duty **Delco Shock Absorbers** depending on the year, paint these Black or Gray & they look just like the factory shocks absorbers. These are the disc 500-81 series **Delco** shocks. **NOS** 7504800 **85.00**



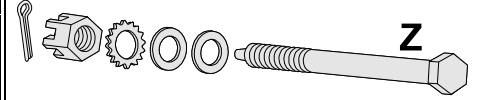
- Shock Mounting Hardware** One Set does both shocks
U Upper Shock **6 Piece Mounting Kit** with 2 ★ Grade 300 bolts, 2 lock nuts & 2 lock washers. 7504230 **7.95**
V Lower Shock **4 Piece Mounting Kit** with 2 special wide nuts & 2 lock washers. **Does 1 car.** 7504229 **6.50**
W Lower Shock **Rubber Grommet 4 Piece Set Does 1 car.** 7504231 **6.50**
X Cupped **Steel Grommet Retainers** Pair Install with the lip of the cup facing outward, away from the grommet. **Does 1 car.** 7504232 **6.00**

Rear Control Arm

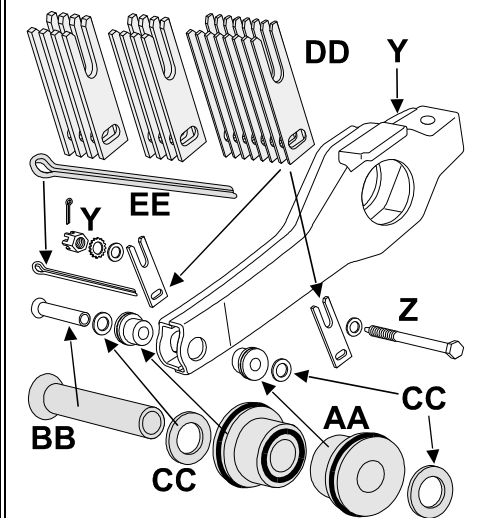
- Y** Rear **Control Arms** includes 2 bushings, 1 bushing tube & 2 retainer plates installed.

	LH C/Arm	RH C/Arm
63-64 USA	7504261 185.00	7504262 185.00
65-82 USA	7504263 185.00	7504264 185.00
65-82 Import	7504819 175.00	7504820 175.00
63-64 LH & RH Control Arms USA	7504821 369.00	
65-82 LH & RH Control Arms USA	7504822 369.00	
65-82 LH & RH Control Arms Import	7504823 349.00	

- 63-82 Control Arm to Spindle Support **12 Piece Mounting Kit** with 4 ★ Grade 300 studs, 4 nuts & 4 lock washers. **2 reqd** 7504260 **12.50**
- Z** 63-82 Control Arm to Frame **6 Piece Mounting Kit** with 1 Grade 280 bolt with starter point, 2 flat washers, 1 star washer, 1 castle nut & 1 cotter pin. **2 reqd Made in USA** 7504265 **12.25**
2 reqd Import 7504824 **8.50**



- AA** OEM **Arm Bushing 4 reqd** 7504267 **10.00**
Replacement Bushing 4 reqd 7504826 **9.75**
- BB** Bushing **Tube Pair Does 1 car** 7504268 **18.50**
- CC** Plate **4 Piece Set Does 1 car** 7504269 **10.95**
- DD** Control Arm **Shim 16 Piece Mounting Kit** with 4 pieces 1/4", 4 pieces 1/8", 8 pieces 1/32" **Does 1 car** 7504288 **34.00**
- EE** Long Shim **Retaining Pin** Install with the loop on the outside of frame. **Pair Does 1 car** 7504272 **4.00**



Control Arm Bumpers

- 63-64 Rubber **Bumpers Pair** 7504803 **49.00**
 65-75 OEM Rubber **Bumper 2 reqd** 7504276 **12.00**
 65-75 Replmnt Rubber **Bumper 2 reqd** 7504825 **10.50**
 65-75 Frame **Bumper 4 Piece Mounting Kit** with 2 nuts & 2 lock washers. **Does 1 car** 7504278 **2.00**
 76-82 Rubber **Bumper 2 reqd** 7504281 **16.45**
 76-82 Frame **Bumper 4 Piece Mounting Kit** with 2 nuts & 2 lock washers. **Does 1 car.** 7504280 **2.00**

