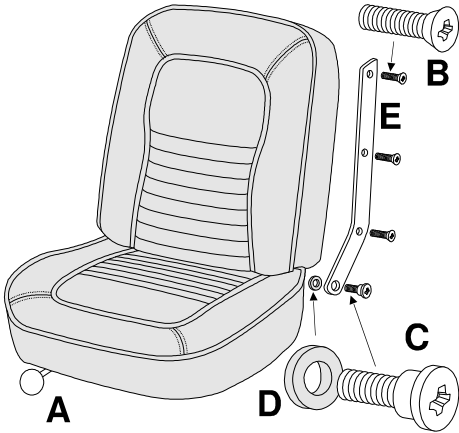


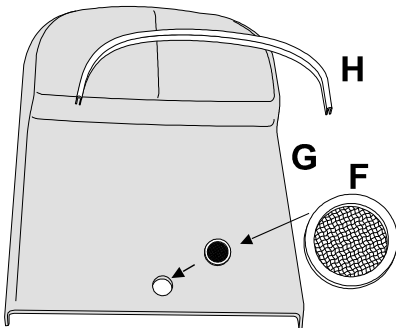
63-67 Seat Knob & Hinge



- A Seat Adjustment Handle**
 - 64-66 Metal Chrome plated, **2 reqd** 1137557 **36.50**
 - 67-77 Plastic Chrome plated, **2 reqd** 1137525 **8.00**
 - 67-77 Metal Chrome plated, **2 reqd** 1137499 **17.50**
- B 63-67 Seat Hinge Mounting Screw 6 Piece Set**
Attaches LH & RH hockey stick chrome. **2 set reqd**
 - Chrome 6 piece screw set. 1137507 **9.25**
 - Stainless 6 piece screw set. 1137506 **5.95**
- C 63-Early 70 Chrome Seat Hinge Pivot Bolt**
Special flat Philips head with shoulder. **7/8" O.L.**
Single Bolt **4 reqd** per car. 1137517 **4.00**
Pair of Bolts **2 reqd** per car. 1137505 **3.50**
- D 63-67 Hinge Pivot Bolt Spacer 4 Piece Set**
Does 1 car. 1137504 **5.95**
- E Seat Hinge Chrome LH & RH "Hockey Stick"**
1 pair of hinges does 1 seat. **2 sets reqd** per car

	1 seat	2 seats
63-66 Seat Hinges USA	1137502	90.00
63-66 Seat Hinges Import	1137501	80.00
67 Seat Hinges USA	1137503	90.00
67 Seat Hinges Import	1137500	80.00
67 Seat Hinge Release Lever chrome plated, unlocks seat back, 2 reqd	1137558	44.00

65-67 Seat Backs



- F 65-67 Seat Back Chrome Vent**
Chrome plated; snaps into the seat backs.
Single Vent **2 reqd.** 1137516 **5.00**
Pair of Vents **Does 1 car.** 1137509 **6.50**

G 65-66 and 67 Molded Seat Backs Al Knoch's

- Ours have the similar grain & the colors are molded in, not painted on the surface.
- | | | | |
|--------------------|--------------|-----------|--------------|
| | 65-66 | 67 | Pair |
| Black Pair | 1137821 | 1137829 | 79.50 |
| Red Pair | 1137822 | 1137830 | 79.50 |
| Brite Blue Pair | 1137823 | 1137831 | 79.50 |
| Medium Saddle Pair | 1137824 | | 79.50 |
| Green Pair | 1137825 | 1137834 | 79.50 |
| White Pair | 1137826 | 1137833 | 79.50 |
| Maroon Pair | 1137827 | | 79.50 |
| Navy Pair | 1137828 | | 79.50 |
| Dark Saddle Pair | | 1137832 | 79.50 |
| Teal Blue Pair | | 1137835 | 79.50 |

- H 65-67 Seat Back Chrome Edge Trim**
Not plastic, these are steel and mount on the upper seat back. **2 reqd** 1135824 **16.75**

68-78 Molded Seat Backs

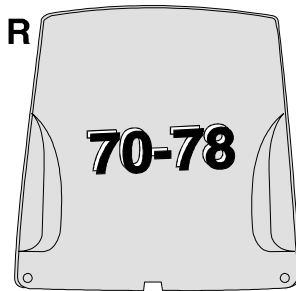
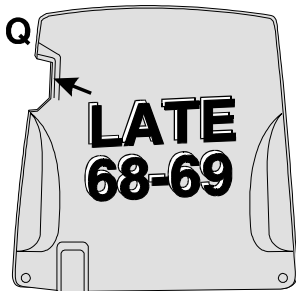
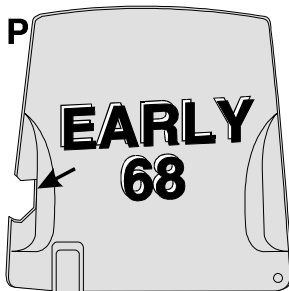
- Heavy Thick Molded Plastic with replica grain patterns. Paint as required. **2 reqd**
- Early 68** has a Low mounting seat release button, **Late 68** has a High mount seat release button
- P Early 68 Reppo Seat Back** 1136202 **50.00**
 - Q Late 68-69 Reppo Seat Back** 1136204 **50.00**
 - R 70-78 Reppo Seat Back** 1135206 **50.00**
 - R 70-78 NOS Seat Back** 1135820 **95.00**

68-78 Seat Backs

- Thin molded plastic with replica grain patterns already painted - Ready to Install. **2 reqd**
- Early 68 has a Low mounting release button**
- P Early 68 Unpainted Seat Back** 1135812 **39.75**
 - P Early 68 Painted Seat Back - below** **45.75**
- | | | | |
|----------------|---------|-----------------|---------|
| E68 Black | 1136147 | E68 Dark Blue | 1136148 |
| E68 Red | 1136149 | E68 Tobacco | 1136150 |
| E68 Brite Blue | 1136151 | E68 Dark Orange | 1136152 |
| E68 Saddle | 1136153 | E68 Gunmetal | 1136154 |

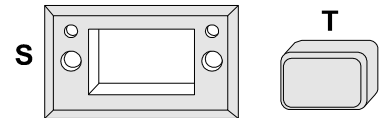
- Late 68 has a High seat release button**
- Q Late 68-69 Unpainted Seat Back** 1135818 **39.75**
 - Q Late 68-69 Painted Seat Back** **45.75**
- | | | | |
|-------------------|---------|-----------------|---------|
| L68-69 Black | 1136155 | L68 Dark Blue | 1136156 |
| L68-69 Red | 1136157 | L68 Tobacco | 1136158 |
| L68-69 Brite Blue | 1136159 | L68 Dark Orange | 1136160 |
| L68-69 Saddle | 1136161 | 69 Green | 1136162 |
| L68-69 Gunmetal | 1136163 | | |

- 70-78 has a High Centered release button**
- R 70-78 Unpainted Seat Back** 1135819 **39.75**
 - R 70-78 Painted Seat Back** **45.75**
- | | | | |
|--------------------|---------|-----------------|---------|
| 70-81 Black | 1136164 | 70-72 Red | 1136165 |
| 70 Brite Blue | 1136166 | 70 Green | 1136167 |
| 70-72 Light Saddle | 1136168 | 71 Green | 1136169 |
| 70-72 Dark Saddle | 1136170 | 71-72 Dark Blue | 1136171 |
| 73 Dark Saddle | 1136172 | 73-75 Dark Blue | 1136173 |
| 73-75 Oxblood | 1136174 | 74-75 Silver | 1136175 |
| 73-75 Med Saddle | 1136176 | 74-75 Neutral | 1136177 |
| 76 Blue Green | 1136178 | 76 Firethorn | 1136179 |
| 76-77 Smoke Gray | 1136180 | 76-77 Buckskin | 1136181 |
| 76-78 Dark Brown | 1136182 | 76-77 White | 1136183 |
| 77 Dark Blue | 1136184 | 77-78 Red | 1136185 |
| 78 Doeskin | 1136186 | 78 Saffron | 1136187 |
| 78 Oyster | 1136188 | 78 Dark Blue | 1136189 |



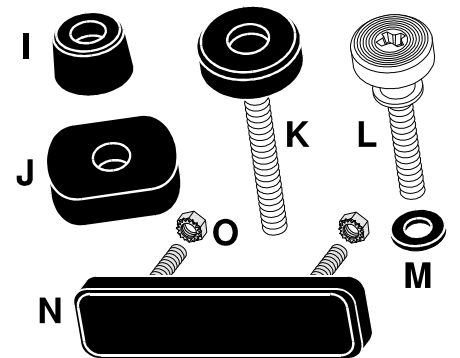
68-78 Seat Back Hardware

- 68-78 Seat Back Lower Mounting Screw 4 Piece Set**
Does 1 car. 1135829 **2.00**
- 68-78 Seat Back 1 LH & 1 RH Retainer 4 Piece Set**
Does 1 car. 1135825 **18.50**
- 68-78 Retainer Mounting Screw 8 Piece Set**
Does 1 car. 1135828 **2.95**
- 70-78 Seat Back Lock Release Strap Assembly**
includes Bracket **2 reqd** 1137670 **55.00**
- 70-78 Strap, Pad, Rivets only 2 reqd** 1137672 **27.50**
- S 70-78 Chrome Seat Back Lock Trim Bezel**
with **4 mounting holes. 2 reqd** 1137546 **6.50**
with **2 mounting holes. 2 reqd** 1137551 **19.95**
- 70-78 Bezel Mounting Screw 4 Piece Kit** 1137547 **2.00**
- T 70-78 Seat Back Lock Release Button**
Chrome plated. **2 reqd** 1137548 **9.95**
- 70-78 Button Mounting Screw & Star Washer 4 Piece Set**
Pair **Does 1 car.** 1137549 **2.50**



- 68-74 Seat Mounting Screw 8 Piece Set**
Indented hex washer head design with starter point mounts seats to floor. **Does 1 car.** 1137535 **7.50**
- 68-74 Under Body Seat Mounting Parts**
 - LH Front Channel with Weld Nuts 1137523 **28.25**
 - RH Front Channel with Weld Nuts 1137524 **28.25**
- 68-74 Rear Nut Plate** thick stamped steel with threaded holes for seat mounting screws. **4 reqd** 1137526 **11.00**
- V 68-69 Seat Back Adjusting Shim 8 Piece Set**
Includes 4 Round Shims and 4 Rectangular Shims.
Does 1 car. Why Pay \$39? 1137538 **24.50**
- W 70-77 Seat Back Adjusting Shim 8 Piece Set**
Does 1 car Why Pay \$39? 1137536 **22.00**
- X 56-77 Seat Shim or Hardtop Wrench Cloth**
Bag with Draw String 1137537 **4.25**
- Seat Shim Kit with Cloth Bag**
- V+X 68-69 Shim Kit with Bag** 1137518 **28.50**
- W+X 70-77 Shim Kit with Bag** 1137519 **32.50**

68-78 Seat Bumpers



- I 68-69 Seat Back Upper Molded Rubber Bumper**
Pair **Does 1 car.** 1137539 **6.50**
- J Seat Bottom Lower Oval Bumper**
Molded steel. **2 reqd** 1137540 **5.00**
- K 70-78 Threaded Seat Back Bumpers 4 reqd each**
Upper Rubber Cushioned 1137541 **4.00**
- L Lower Steel Bumpers NOS** 1137542 **7.50**
- L Lower Steel Bumpers Reppo** 1137668 **4.95**
- M 70-78 Lower Bumper Plastic Washer**
mounts under bumper. **4 reqd** 1137544 **1.50**
- New 70-78 Seat Bottom Repair Plate** repairs broken seats that sag. Weld or bolt in place. Tapped for the lower seat bumpers. **2 reqd** 1137588 **25.00**
- N 73-75 Convertible Seat Bumper** with 2 studs; mounts on the deck lid; Oblong rubber **2 reqd** 1137543 **20.00**
- O 73-75 Convertible Upper Bumper Mounting Kit**
4 nuts with integral star washers.
Does 1 car. 1137545 **2.50**