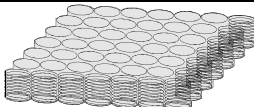


53-62 Seat Springs & Frames



Authentic seat bottom springs with the 6 different sized coil springs just like the factory. One set does 2 seat bottoms. Does 1 car. All are UPS O/S

53-55 Authentic Seat Spring Unit	1141502	339.00
56-60 Authentic Seat Spring Unit	1141504	279.00
61-62 Authentic Seat Spring Unit	1141506	279.00

53-62 **Replacement** Seat Bottom Springs Unit with 49 coil springs in a 7 by 7 grid, bound with a cloth cover & clipped together with hog rings. If installed by a professional, they can be tied down to produce the same appearance as factory units. 2 reqd UPS O/S 1141620 39.75

Seat Cushion Frames with Springs

These frames have U-shaped stamped steel channels with cross rods that form a cage surrounding the seat cushion spring units. Covers, foam & adjusters are not included. O/S

53-55 LH	1141512	RH	1141513	489.00
56-58 LH	1141515	RH	1141516	387.00
59-60 LH	1141517	RH	1141519	387.00

Seat Bottom Retainer Ring

These steel ring units include the spring hold down rods.

53-55 Ring	1141530	189.50	56-58	1141532	189.50
59-60 Ring	1141534	189.50	61-62	1141536	189.50

Seat Back and Bottom Foam Cushions



Each set include the 2 molded foam seat backs and 2 seat cushions. All sets are UPS Oversize = O/S.

53-62 **Our Molded Foam Sets** includes the Muslim Cloth Reinforcement and Air Spaces in the back like old ones. These are Not the generic type replacement. ✗

53-55 Molded Seat Foam Set	1141630	239.50
56-57 Molded Seat Foam Set	1141631	287.00
58 Molded Seat Foam Set	1141632	287.00
59-60 Molded Seat Foam Set	1141633	287.00
61-62 Molded Seat Foam Set	1141634	287.00
59-60 Replacement Seat Foam Set	1141645	195.00
63 Molded Seat Foam Set	1141635	188.50
64 Molded Seat Foam Set	1141642	188.50
65 Molded Seat Foam Set	1141636	188.50
66 Molded Seat Foam Set	1141643	188.50
67 Molded Seat Foam Set	1141644	188.50
68-69 Molded Seat Foam Set	1141637	188.50
70-74 Molded Seat Foam St	1141638	188.50
75 Molded Seat Foam St	1141639	188.50
76-78 Molded Seat Foam Set	1141640	188.50
78 Pace Car & 79-82 Molded Foam Set	1141641	289.00

Seat Cover Mounting Hardware

53-82 Hog Ring 80 Piece Kit Does 1 car	1480025	6.00
63-82 Seat Cover Mounting "S" Clip 20 Piece Kit		
Used to attach the lower seat bottom cover to the seat frame. Does 1 seat.	1480026	9.95

Seat Cover Installation Kits

These kits include all the necessary formed wire hooks, hog rings, wires & "S" clips to install 2 seat bottoms & 2 seat backs for one car. Does 1 car.

53-55	1482010	34.00	56-57	1482011	34.00
58	1482012	34.00	59-60	1482013	34.00
61-62	1482014	34.00	63-64	1482015	33.50
65	1482016	33.50	66	1482017	33.50
67	1482018	33.50	68-69	1482019	33.50
70-78	1482020	33.50	79-82	1482023	33.50

Seat Cover Cotton Pad & Burlap Kits

Install these over the Seat Foam under the Seat Covers

53-55 Cotton & Burlap Kit	Does 1 car	1141520	28.00
56-62 Cotton & Burlap Kit	Does 1 car	1141522	32.50
63-67 Cotton & Burlap Kit	Does 1 car	1141521	54.00

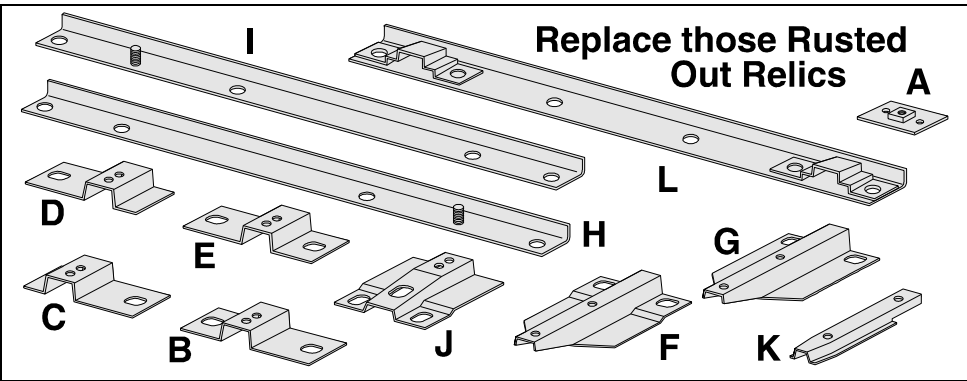
53-62 Accurate Seat Mounts

A 53-62 Underbody Seat Nut Plate 4-7 reqd	1137494	7.50
A 56-60 Nut Plate 14 Piece Set Does 1 car	1137495	69.00
56-60 Seat Mtg Flanged Bolt 14 Piece Set	1137497	8.00
A 61-62 Nut Plate 6 Piece Set Does 1 car	1137496	34.95
61-62 Seat Mtg Flanged Bolt 10 Piece Set	1137498	6.75
56-62 Seat Underbody Front Mounting Bracket 2 reqd each		
LH Front Mounting Bracket	1137632	14.00
RH Front Mounting Bracket	1137634	14.00
56-60 Seat Adjuster Front Mounting Bracket		
B LH Outer Front Bracket	1137610	14.00
C LH Inner Front Bracket	1137611	14.00
D RH Outer Front Bracket	1137612	14.00
E RH Inner Front Bracket	1137613	14.00
F 53-59 Seat Adjuster Rear Mounting Bracket		
53-55 rear use 2 per car on LH seat only; 56-59 rear		
2 reqd per seat or 4 reqd per car.	1137614	20.50
G 60 Seat Adjuster Rear Mounting Bracket		
2 reqd per seat or 4 reqd per car.	1137615	21.00

56-60 Seat Rear Mounting Bracket & Stud

It may be necessary to shorten the stud on some 56-59 models by cutting off 1/8" to prevent interference with the bottom of the seat frame. To prevent thread damage, mount a scrap nut on the stud before cutting. Clean threads to remove burrs, before removing nut.

H LH Rear Seat Mounting Bracket	1137616	30.45
I RH Rear Seat Mounting Bracket	1137617	30.45
J 61-62 Seat Adjuster Front Mounting Bracket		
2 reqd per seat or 4 reqd per car.	1137618	21.00
K 61-62 Seat Adjuster Rear Mounting Bracket		
2 reqd per seat or 4 reqd per car.	1137619	20.50
L 61-62 Seat Rear Mounting Bracket		
LH or RH 2 reqd.	1137620	34.95
64-66 Rear Seat Adjuster Mounting Bracket:		
LH Outer or RH Inner Bracket	1137622	19.50
LH Inner or RH Outer Bracket	1137624	19.50
67 Front Adjuster Bracket 4 reqd.	1137626	17.50
67 Rear Seat Adjuster Mounting Bracket:		
LH Outer or RH Inner Bracket	1137628	17.50
LH Inner or RH Outer Bracket	1137630	17.50



Replace those Rusted Out Relics

63-77 Seat Hardware

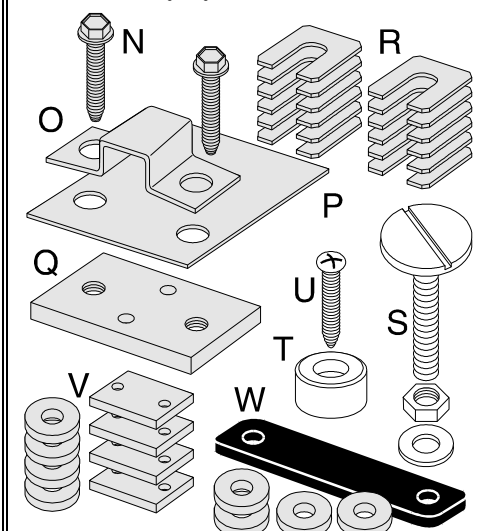
63 Seat Front Mounting Bracket Pinch Welt slip over the sharp edge of the seat front mtg brackets to prevent injury to your Achilles tendon when the seats are adjusted to the rear most position. <i>Cut as required.</i> Does 1 car.		20.00	
63 Black	1137602	63 Red	1137603
63 Saddle	1137604	63 Navy	1137605
N Seat Mounting Screw Sets			
Indented hex washer head design with starter point.			
63-66 Mounting Screw 12 Piece Set	1137534	9.50	
67-77 Mounting Screw 8 Piece Set	1137535	7.50	
O 63-66 Seat Rear Anchor Bracket			
U-shaped strap with Yellow chromate plating finish.			
Use 2 reqd / seat; 4 reqd / car.	1137531	4.75	
P 63-66 Seat Rear Mounting Flat Plate			
Usually these are severely rusted. Stamped steel with Zinc plating finish. 4 reqd.	1137530	4.00	
Q Under Body Seat Rear Mounting Nut Plate thick steel stampings with 2 threaded holes for the seat mounting screws. 4 reqd. on all models. (usually rusted so bad)			
63-67 Plate with 2 OEM mtg rivets	1137532	12.50	
68-74 Plate	1137526	11.00	

63-74 Under Body Seat Front Mounting Plates stamped steel with weld nuts & plate as required. Plus finished.		
63 Front Mounting Plate 2 reqd	1137510	29.50
64-66 Front Mounting Plate 2 reqd	1137511	29.50
67 Front Mounting Plate 2 reqd	1137512	29.50
68-74 LH Front Mounting Plate	1137523	28.25
68-74 RH Front Mounting Plate	1137524	28.25

R 64-67 Front Seat Shim 12 Piece Set		
Zinc plated U shaped steel.	1137533	8.00
S 63-67 Chrome Seat Back Adjustment Screw Pair with large slotted flat head includes nut & flat washer		
Does 1 seat. 2 pair reqd / car.	1137529	6.00
T 63-67 White Nylon Seat Bumper		
4 reqd per car	1137527	4.00
U 63-67 Seat Bumper Mounting 4 Piece Screw Set		
Does 1 car.	1137528	1.95

Seat Back Shim Kits were included in the rear center glove box compartment off all 68-76. 77 Dealer option.

56-77 Cloth Bag with Draw String used to package the Seat Shim or Hardtop Wrench contents	1137537	4.25
V 68-69 Seat Back Adjusting Shim 8 Piece Set		
Includes 4 Round Shims and 4 Rectangular Shims.		
Does 1 car. Why Pay \$35?	1137538	24.50
W 70-77 Seat Back Adjusting Shim 8 Piece Set		
Includes 4 Round Shims & 4 long Rectangular Shims.		
Does 1 car. Why Pay \$35?	1137536	22.00



Seat Track Adjuster Mounting Brackets 2 reqd per seat; 4 reqd per car.		
Each	Save on a Set 4	
68-78 Front Adjuster Bracket	19.50	1137656 69.00
68-72 Rear Adjuster Bracket	19.50	1137658 69.00
73-74 Rear Adjuster Bracket	21.00	1137660 74.00
75-77 Rear Adjuster Bracket	26.50	1137662 97.00