

This drawing is a composite, intended to represent all 69-79 standard steering columns, rather than a specific model.

69-79 Standard Steering Column except Telescopic

Parts Not Identified Are Not Available

A 69-79 Steering Wheel Hub Mounting Nut Snap On Retainer - per Advice in the GM Workshop Manual Never re-use if it is removed	6518096	3.95
B Steering Hub to Shaft Mounting Nut 69-79 Jamb Nut except 1976 76 Only Jamb Nut	6518090 6518091	3.00 5.50
C Steering Hub Shaft Washer bastard sizes 69-82 Washer except 1976 76 Only Washer	6518092 6518093	7.75 1.10
D 69-75 Steering Wheel Hub NOS	6521510	0.00
E 69-79 Steering Wheel Lock Cover Plate Replacement for 69-75. This Flexible Black Plastic Cover can be cut with a razor for modification when used on 69-75 models.	6521126	13.60
F 69-79 Shaft Lock Plate Retainer never re-use if removed - per Workshop Manual	6521122	9.75
G 69-79 Shaft Lock Plate	6521127	32.50
H 69-82 Horn Brush	2819100	7.50
I Directional Signal Canceling Cam 69-76 Canceling Cam 77-79 Canceling Cam	2896106 2896108	0.00 26.50
J Upper Steering Column Bearing Spring 69-76 Spring 3/4" Long 69-79 Spring 1 1/8" Long	6521128 6521130	6.50 15.00
K 69-79 Directional Switch NOS 69-79 Directional Switch Repto	2895107 2895170	48.50 38.95
L 69-79 Switch Mount Screw 3 reqd GM	2895114	4.40
M 69-79 Directional Harness and Horn Wire Plastic Protector	2895150	25.00
N 69-79 Directional Housing Mounting Screws 4 reqd	6521131	12.50
O Directional Housing includes Q Upper Bearing and U the Ignition Sector Wheel with Shaft Installed 69-76 Directional Housing Die Cast Zinc with Q and U 78-79 Directional Housing Molded Plastic with Q and U	6521512 6521514	0.00 169.00
P 69-79 Upper Bearing Washer	6521132	5.25
Q Upper Steering Column Shaft Bearing 69-76 Upper Bearing 77-79 Upper Bearing	6521108 6521112	34.15 40.00

Steering Column Bearing 6 Piece Rebuild Kit

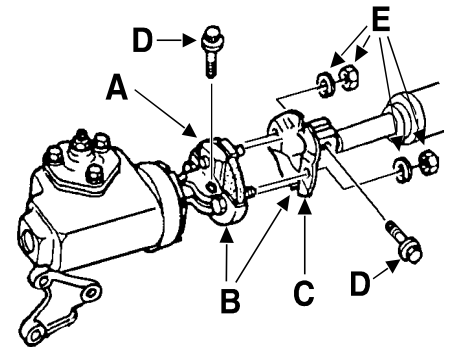
Includes 1 each of A+F+P+Q+OO+PP
69-76 except Telescopic 6518320 97.50
77-79 except Telescopic 6518322 94.50

R 69-79 Lower Thrust Cup	6521134	15.00
S 72-76 Ignition Key Warning Buzzer	2187107	24.95
T 69-79 Ign Key Warning Buzzer Switch	2187406	21.75
U 78-79 Switch Mounting Spring	2187408	9.85
V 69-79 Ignition Switch Toothed Sector Wheel without Mounting Rod	2187410	14.70
W 77-79 Ignition Switch Toothed Rack without Rod	2187414	16.00
X 69-79 Rack Mounting Spring	2187416	8.25
Y 69-71 Ignition Switch Rod & Rack	2187440	49.00
Z 69-79 Switch Lock Bolt	2187418	25.00
AA Ignition Switch Rack Guide Plate 69-71 Guide Plate 72-79 Guide Plate	2187430 2187432	27.50 22.50
BB 69-79 Guide Plate Mounting Screws 2 reqd	2187434	0.00
CC 69-79 Lower Housing Cover	6521524	79.60
DD 78-79 Lower Extension	6521526	35.00
EE 69-79 Steering Column Jacket Shift Tube Bearing Special Washer	6521135	0.00
FF 69-79 Steering Column Jacket Shift Tube Upper Bearing	6521137	20.00
GG 69-79 Ignition Switch Ignition Switch Mounting Hardware 69-79 Screw 2 reqd on 69-78; use 1 on 79 along with the following stud 79 Ign & dimmer Switch Mount Stud	2187209 2895116 2895118	24.75 6.65 7.00
HH 68 Steering Column Jacket Firewall Seal Die cut Black Sponge Rubber	6518210	4.75
II 69-79 Steering Column Jacket Firewall Seal Die Cut Black Sponge	6518212	5.00
JJ 69-79 Steering Column Outer Firewall Seals Die cut Gray Polyfoam Pair	6518216	3.50
KK 69-79 Thrust Washer	6521119	13.00
LL 69-79 Spring ends ground flat NOS	6521121	22.50
MM 69-79 Spring NOT ground flat Repto	6521197	6.50
NN 69-79 Lower Bearing Adapter	6521118	10.00
OO 69-79 Adapter Retainer	6521117	9.85
PP 69-79 Adapter Mounting Clip	6521114	6.50
PP 69-79 Lower Shaft Bearing	6521109	34.15

63-82 Steering Column "Rag Joint" Couplers

Steering couplers attach the steering column shaft to the steering box. If this flexible "Rag Joint" breaks, you will have no control over the steering.
Be Safe, Replace Your Rag Joint Now.

A 63-66 Lower Coupler & Rag	6518219	99.75
B Complete Upper & Lower Coupler Set 63-66 except Tele with Rag jJoint. 65-66 Tele with rag joint.	6518218 6518290	195.00 183.00
C 67-82 Upper Coupler Only	6518301	0.00
A 67-68 Lower Coupler & Rag	6518302	111.75
B 67-68 Complete Upper & Lower Coupler Set Complete with rag joint.	6518300	0.00
A 69-82 Lower Coupler & Rag	6518303	70.50
B 69-82 Complete Upper & Lower Coupler Set Complete with rag joint.	6518305	0.00
D 63-82 Coupler to Shaft Mounting 12 Point Bolt OEM 12 point bolt 2 reqd Replacement 12 point bolt 2 reqd	6518211 6518213	7.75 5.50
E 63-82 Upper to Lower Coupler 4 Piece Mounting Kit with 2 nuts & 2 lock washers.	6518307	2.00



63-82 Rag Joint Repair Kit

This is a replacement die cut thick rubber and fabric reinforced insulator used to repair a worn rag joint & includes mounting hardware. Not suitable for NCRS or Bloomington show events.
6518333 16.00