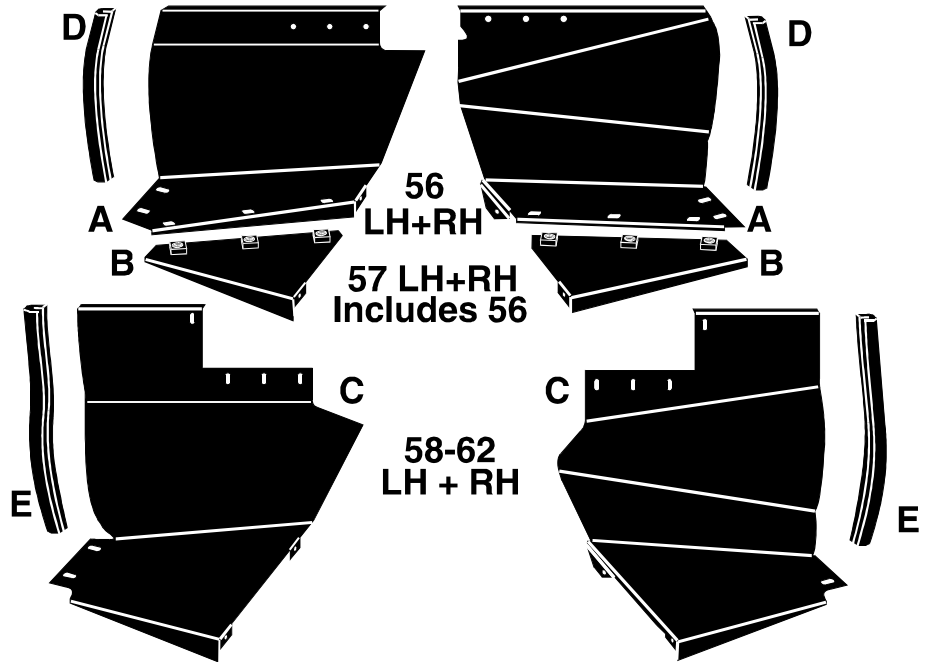


**56-62 Splash Shields**

- A 56 Splash Shields**  
Authentic factory design LH and RH splash shields and they are painted Black. Pair 8153111 49.50  
56 Splash Shield **40 Piece** Mounting Kit  
With authentic **Clutch Head Screws**, flat washers, lock washers & nuts. **Does 1 car.** 8153109 10.50
- A + B 57 Splash Shield 4 Piece Set**  
Authentic factory design LH & RH large shields, plus the auxiliary LH & RH small shields & they are all painted Black. 8153112 79.50
- 57 Splash Shield 48 Piece** Mounting Kit  
With authentic **Clutch Head Screws**, flat washers, lock washers & nuts. **Does 1 car.** 8153108 11.50
- C 58-62 Splash Shields Pair UPS O/S**  
These are the authentic factory design large LH & RH shields painted Black USA 8153113 87.50
- C 58-62 Splash Shields Import** 8153120 84.50
- 58-62 Splash Shield 48 Piece** Mounting Kit  
With 11 bolts, with lock washers, flat washers, nuts & 4 frame mount screws. **Does 1 car.** 8153107 8.95



**53-62 Splash Shield Seals**

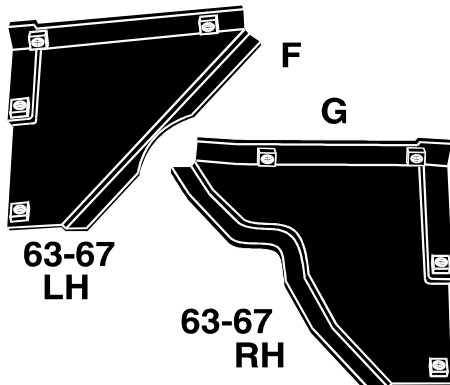
Authentic extruded "U" shaped Black closed cell sponge rubber. They are glued to the vertical edge of the splash shields that meets the inner fender skirt, but not along the lower horizontal edge. **Made in USA.** These are included with our Engine Compartment Seal Kits.



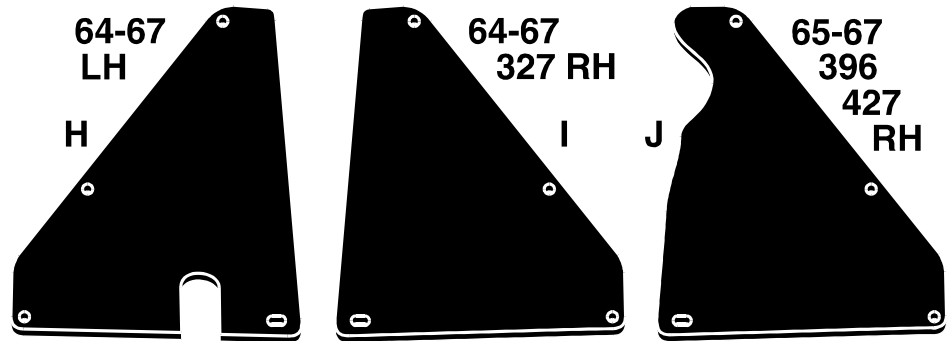
- D 53-57 Splash Shield Seals** Pair 8153105 18.50
- E 58-62 Splash Shield Seals** Pair 8153106 18.00

**63-68 Splash Shields**

- 63-67 Outer Small Splash Shields USA**  
Outer shields mount on the out board side of the frame rails, behind the front wheels.
- F 63-67 LH Outer Shield repro** 8153625 29.00
- G 63-67 RH Outer Shield repro** 8153626 29.00
- F 63-67 LH Outer Shield NOS** 8153125 39.95
- G 63-67 RH Outer Shield NOS** 8153126 39.95
- 63-67 Outer Splash Shield 8 Piece** Mounting Kit includes 8 indented hex washer head bolts with starter points. **Does 1 car.** 8153127 4.25



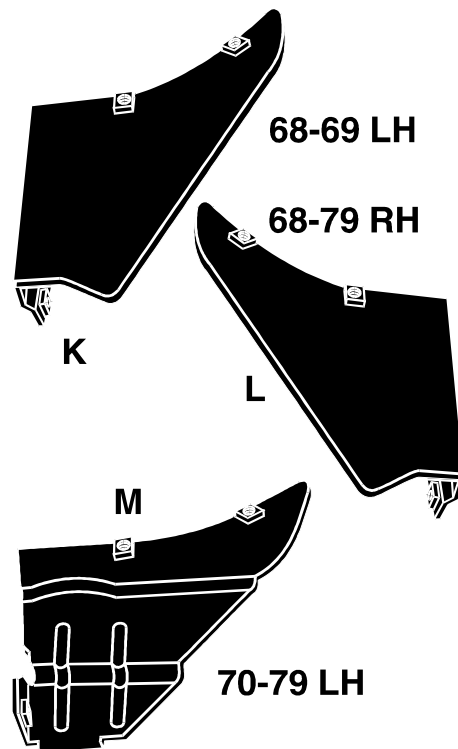
- 64-68 Inner Large Splash Shields USA**  
64-Early 68 Inner Splash Shield **16 Piece** Mounting Kit with 8 indented hex self tapping bolts with starter points plus 8 washers. **Does 1 car.** 8153168 4.40  
These mount on the inboard side of the frame rails just in front of the firewall
- H 64-67 LH Shield All models** 8153165 18.75
- I 64-67 RH Shield 327 only** 8153166 18.75
- J 64-67 RH Shield 396 or 427** 8153167 18.75
- H+I 64-67 LH+RH Shield 327** 8153164 36.00
- H+J 65-67 LH+RH Shield 427** 8153200 36.00
- Early 68 LH or RH Shield 2 reqd** 8153169 19.00



- 64-67 Inner Shield Mounting Brackets** rivet to the front edge of the under body at the firewall and mount the rearward edge of the inner splash shields. **USA**  
LH Bracket also mounts the gas pedal 8153170 11.50  
RH Bracket 8153171 11.50

**68-79 Splash Shields**

- 68-79 Outer Splash Shield 8 Piece** Mounting Kit includes 8 indented hex washer head bolts with starter points. **Does 1 car.** 8153307 4.40  
The following are not Chinese imports. All are **USA**
- K 68-69 LH Splash Shield repro** 8153301 35.00
- L 68-79 RH Splash Shield repro** 8153803 22.50
- M 70-79 LH Splash Shield repro** 8153802 22.50
- L 68-79 RH Splash Shield NOS** 8153303 34.50
- M 70-79 LH Splash Shield NOS** 8153302 34.50



**63-82 Splash Shield Seals**

Extruded sponge rubber with **Authentic Profile**, skin on the surface and cellular rubber structure. They are included with our Engine Compartment Kits.



- 63-67 Splash Shield Seals** Pair 8153130 0.00
- 68-82 Splash Shield Seals** Pair 8153131 12.00