

# Doc's 68-74 Spark Control Hose Kits ?

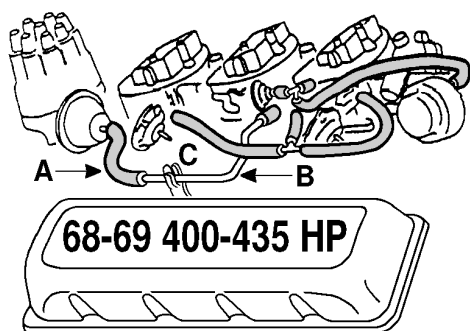
## These kits includes as required:

- Hi Temperature **USA** manufactured Hose
- Proper Diameters with Raised ID Ribs
- Colored Identification Stripes
- T or TT Pipe Hose Connectors
- Full Schematic for Easy Hook-Up

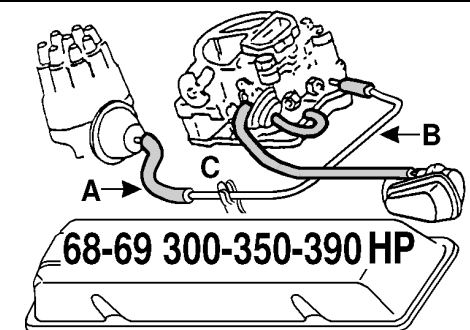
**Please do not** confuse these kits with others that use low temperature ordinary windshield washer hoses.

## Connects the following as required

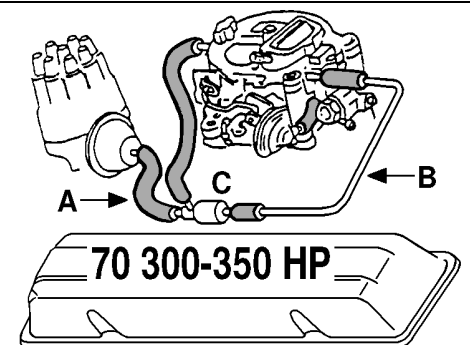
- Distributor Vacuum Advance Control
- ? Steel Vacuum Advance Tubing
- Carburetor Spark Control Solenoid
- Carburetor Idle Control Solenoid
- Carburetor Choke Vacuum Control
- Smog Pump Diverter Valve
- EGR = Exhaust Gas Re-Circulate Valve
- TVS = Thermal Vacuum Switch



- |                                     |         |       |
|-------------------------------------|---------|-------|
| <b>A</b> Spark Hose 10 Piece Kit    | 3750337 | 12.00 |
| <b>B</b> Vacuum Advance Steel Tube  | 3750316 | 14.95 |
| <b>C</b> Advance Tube Mounting Clip | 3750420 | 5.50  |



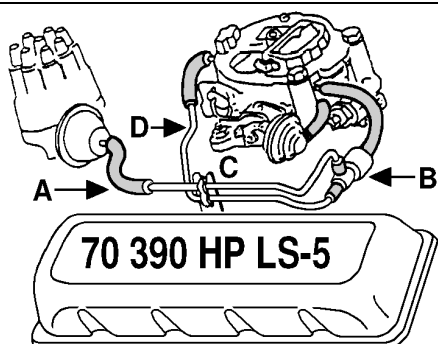
- |   |         |       |
|---|---------|-------|
| <b>A</b> Spark Control Hose 4 Piece Kit | 3750338 | 7.00  |
| <b>B</b> Vacuum Advance Steel Tube      | 3750317 | 14.95 |
| <b>C</b> Advance Tube Mounting Clip     | 3750420 | 5.50  |



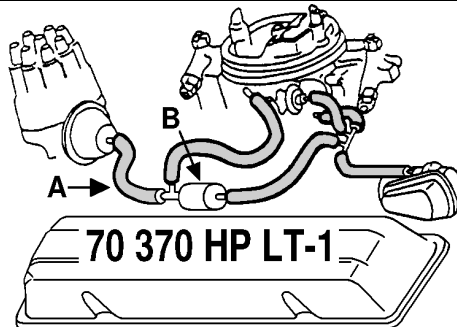
- |   |               |       |
|---|---------------|-------|
| <b>A</b> Spark Control Hose 5 Piece Kit | 3750339       | 8.00  |
| <b>B</b> Vacuum Advance Steel Tube      | Sample Wanted |       |
| <b>C</b> New Spark Control Solenoid     | 3275604       | 69.50 |

**KEY W = White; B = Black; T = T-pipe**  
**Number of Hoses + T-Pipes**

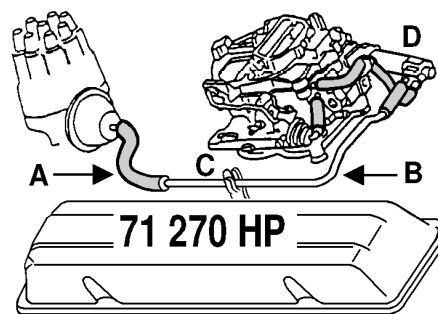
68-69 3x2	6 W + 2 B + 2 T	3750337	12.00
68-69 1x4	3 W + 1 B	3750338	7.00
70 300, 350 HP	4 W + 1 B	3750339	8.00
70 390 HP	5 W + 1 B	3750340	9.00
70 LT-1	4 W + 2 B + TT	3750341	12.00
71 LT-1	3 W + 3 B + TT	3750342	12.00
71 270 HP	2 W + 2 B	3750343	7.00
71 365 HP	2 W + 2 B	3750344	7.00
71 425 HP	4 W + 2 B + TT	3750345	12.00
72 200 HP	2 W + 1 B	3750346	7.00
72 LT-1	3 W + 2 B + TT	3750347	12.00
72 270 HP	4 W + 2 B + T	3750348	12.00
73 350 4 speed	4 W + 2 B + T	3750350	13.00
73 350 Automatic	6 W + 2 B + 2 T	3750351	16.00
73 454 4 speed	3 W + 3 B + T	3750352	14.00
73 454 Automatic	6 W + 4 B + 3 T	3750353	18.00
74 L-48 4 speed	4 W + 2 B	3750354	14.00
74 L-48 Automatic	5 W + 2 B	3750355	15.00
74 L-82 4 speed	4 W + 1 B	3750356	13.00
74 L-82 Automatic	5 W + 1 B	3750357	14.00
74 454 4 speed	4 W + 2 B	3750358	14.00
74 454 Automatic	6 W + 3 B + T	3750359	17.00



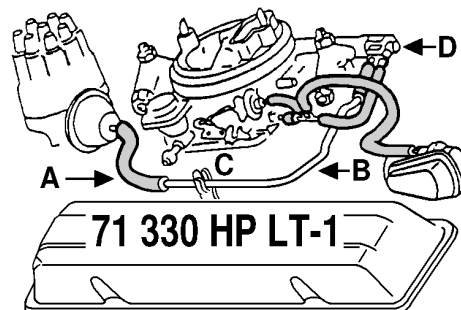
- |   |         |       |
|---|---------|-------|
| <b>A</b> Spark Control Hose 6 Piece Kit | 3750340 | 9.00  |
| <b>B</b> New Spark Control Solenoid     | 3275606 | 0.00  |
| <b>C</b> Dual Vacuum Advance Clip       | 3275425 | Disc  |
| <b>D</b> Dual Vacuum Advance Tubes Pair | 3750322 | 35.00 |



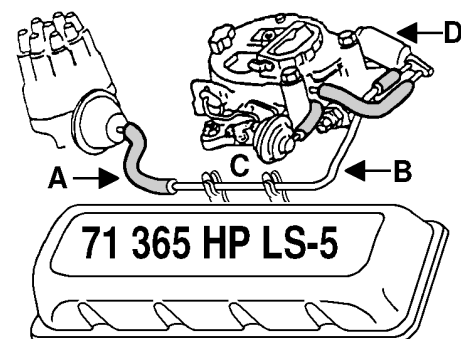
- |   |         |       |
|---|---------|-------|
| <b>A</b> Spark Control Hose 6 Piece Kit | 3750341 | 12.00 |
| <b>B</b> New Spark Control Solenoid     | 3275604 | 69.50 |



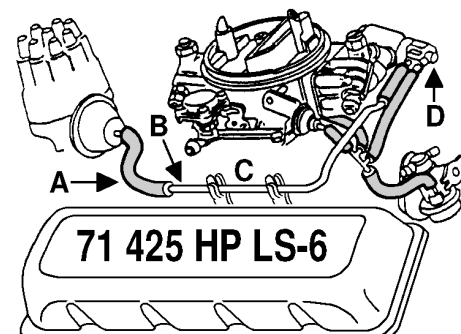
- |   |         |       |
|---|---------|-------|
| <b>A</b> Spark Control Hose 4 Piece Kit | 3750343 | 7.00  |
| <b>B</b> Vacuum Advance Steel Tube      | 3750320 | 23.00 |
| <b>C</b> Advance Tube Mounting Clip     | 3750420 | 5.50  |
| <b>D</b> New Idle Control Solenoid      | 3275602 | 0.00  |



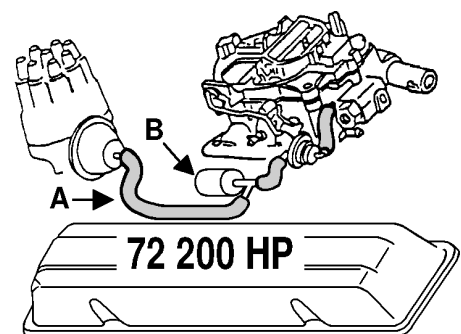
- |   |         |       |
|---|---------|-------|
| <b>A</b> Spark Control Hose 7 Piece Kit | 3750342 | 12.00 |
| <b>B</b> Vacuum Advance Steel Tube      | 3750320 | 23.00 |
| <b>C</b> Advance Tube Mounting Clip     | 3750420 | 5.50  |
| <b>D</b> New Idle Control Solenoid      | 3275602 | 0.00  |



- |  |         |       |
|--|---------|-------|
| <b>A</b> Spark Control Hose 4 Piece Kit    | 3750344 | 7.00  |
| <b>B</b> Vacuum Advance Steel Tube         | 3750320 | 23.00 |
| <b>C</b> Advance Tube Mounting Clip 2 reqd | 3750420 | 5.50  |
| <b>D</b> New Idle Control Solenoid         | 3275602 | 0.00  |



- |  |         |       |
|--|---------|-------|
| <b>A</b> Spark Control Hose 6 Piece Kit    | 3750345 | 12.00 |
| <b>B</b> Vacuum Advance Steel Tube         | 3750320 | 23.00 |
| <b>C</b> Advance Tube Mounting Clip 2 reqd | 3750420 | 5.50  |
| <b>D</b> New Idle Control Solenoid         | 3275602 | 0.00  |



- |   |         |       |
|---|---------|-------|
| <b>A</b> Spark Control Hose 3 Piece Kit | 3750346 | 7.00  |
| <b>B</b> New Spark Control Solenoid     | 3275608 | 69.50 |