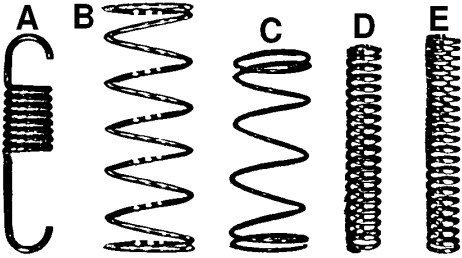
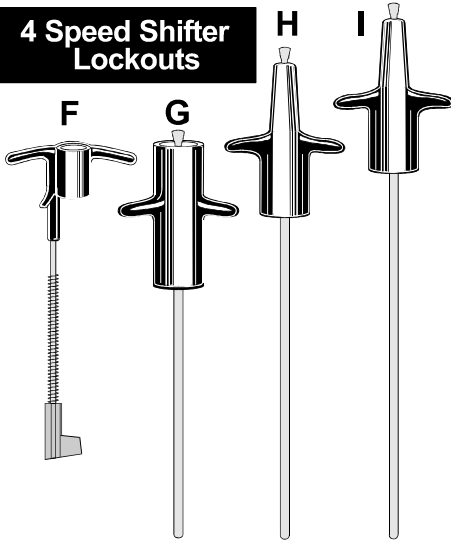


**Shifter Springs**



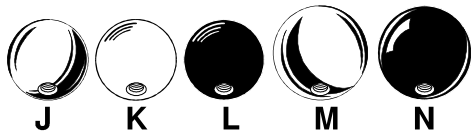
- A** 57-63 4 Speed Anti-Rattle Spring 4008110 5.00
- 57-63 Anti-Rattle Mounting Bracket 4008410 7.75
- B** 65-82 Auto Push Button Spring 4008112 3.00
- C** 64-67 4 Speed Lock Out Spring 4008115 3.00
- D** 68-75 4 Speed Lock Out Spring 4008116 3.00
- E** 76-81 4 Speed Lock Out Spring 4008117 3.00

**4 Speed Shifter Lockouts**



- F** 59-63 4 Speed Authentic "T"-Handle with Reverse Lock-Out Cable compatible with factory 4001210 49.50
- G** 64-67 4 Speed "T"-Handle with Reverse Lock-Out Rod 4001228 26.45
- 64-67 4 Speed Reverse Rod Only  
Peen the end on this rod flat to install in your "T" handle. Use care & goggles. 4001230 8.25
- H** 68-76 4 Speed "T"-Handle with Reverse Lock-Out Rod 4001312 15.90
- I** 77-81 4 Speed "T"-Handle with Reverse Lock-Out Rod 4001313 15.95

**Shifter Knobs**

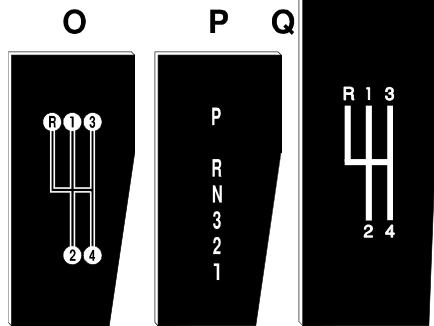


- J** 56-57 Chrome Shift Knob 4006102 37.00
- K** 57-62 White Shift Knob 4006103 9.00
- L** 63 Black Shift Knob 4006104 8.95
- J** 64 Auto Chrome Shift Knob 4006102 37.00
- M** 64-68 3-4 Speed Chrome Shift Knob 4006106 17.95
- 65-82 Auto Shift Black Knob **Repro** 4007102 19.50
- 65-82 Auto Shift Black Knob **NOS** 4007108 55.00
- 65-82 Auto Shift Push Button **Repro** 4007110 12.75
- 65-82 Auto Shift Push Button **NOS** 4007109 24.00
- N** 68-81 3-4 Speed Black Chrome Knob 4006107 17.95

**Shifter Plates**

- 57-62 4 Speed Shift Plate **Repro** 4020107 12.90
- 56-62 Shift Plate Mounting Screws Pair 4020101 4.00
- 63 4 Speed Shift Plate 4020110 19.75

- 64-67 4 Speed Shift Plate 4020112 8.50
- 64-67 3 Speed Shift Plate these are **NOS**  
These are Not Reproduction. 4020113 20.00

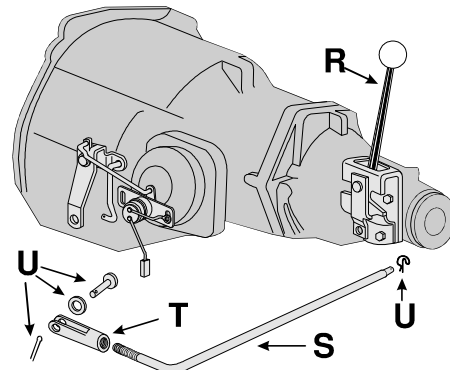


- O** 68-76 4 Speed Shift Plate **Repro** 4020120 14.50
- O** 68-76 4 Speed Shift Plate **NOS** 4020115 19.50
- P** 68-E69 Auto Shift Plate **Repro** 4020122 15.95
- P** 68-E69 Auto Shift Plate **NOS** 4020116 25.00
- L69-71 Auto Shift Lens **Green** 4020126 13.95
- 72-76 Auto Shift Lens **Blue** 4020128 13.95
- Q** 77-81 4 Speed Shift Plate **NOS** 4020117 18.50
- Q** 77-81 4 Speed Shift Plate **China** 4020109 16.00
- 77-82 Auto Shift Lens 4020118 14.75

**4 Speed Shifter Mounting**

- 64-Early 66 Shifter Mounting Plate to Trans  
Includes 3 special countersunk Allen head mounting screws. **Does 1 car.** 4001235 21.45
- Late 66-67 4 Sp Shifter Mounting Bracket from Transmission to the Frame 4001236 22.25
- Late 66-67 Shifter Bracket to Frame Mounting **6 Piece Kit**  
with 1 bolt, 2 special tapping screws & 3 lock washers. **Does 1 car.** 4001237 9.50
- 64-81 Shifter To Bracket **4 Piece** Mounting Kit with 2 bolts & 2 int. star wshr. **Does 1 car.** 4001238 3.75
- 68-81 Shifter Mounting Bracket  
Mounts to trans tail housing. 4001241 **Disc**
- 68-81 Shifter Bracket To Trans **10 Piece** Mounting Kit with 2 bolts, 2 tapping screws, 2 lock washers & 4 flat washers. **Does 1 car.** 4002114 12.50

**56-67 Powerglide Trans**

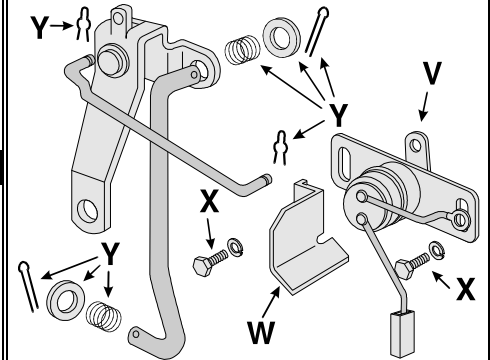


- R Turbo & Powerglide Shifters with Knobs:**  
These are authentic design parts made in the USA.
- 56 Auto Shifter & Knob 4001107 288.50
- 57-61 Auto Shifter & Knob 4001109 277.00
- 62 Auto Shifter & Knob 4001111 277.00
- 63 Auto Shifter & Knob 4001204 277.00
- 64 Auto Shifter & Knob 4001215 277.00
- 65-67 Auto Shifter 4001239 **Disc**
- S Turbo & Powerglide Shifter Linkage**  
includes rods & clevis with hardware
- 56-61 Auto Shifter Linkage 4001110 0.00
- 62-64 Auto Shifter Linkage 4001112 49.95
- 65-67 Auto Shifter Linkage 4001240 49.95
- T** 53-61 Auto Shift Rod **Clevis** only 4004102 19.50
- 65-67 PG Neutral Safety Switch **NOS** 4004076 375.00

- U Auto Shift Rod Mounting Kits:**
- 56-64 Auto Shift Rod **4 Piece** Mounting Kit mounts shift rod to the trans & shifter. Includes clevis pin, "R" clip, cotter & wavy washer. 4004107 8.95
- 65-67 Auto Shift Rod **8 Piece** Mounting Kit  
Includes special clevis pin, rod grommet, 4 SAE ycle washers & 1 "R" clip. Mounts the shift linkage rod to the lever on the trans. 4004108 11.50

**53-64 Automatic Neutral Safety Switch**

- V Automatic Neutral Safety Switch**  
only allows starting if shifter is in park position
- 53-55 6 Cyl Safety Switch 4004081 68.00
- 55-57 V-8 Safety Switch 4004080 69.50
- 58-60 Safety Switch 4004077 69.50
- 53-54 Safety Switch **Harness** 2515206 12.00
- 55-61 Safety Switch **Harness** 2515207 12.00
- W** 53-60 Switch Heat Shield 2660152 8.50
- X** 53-60 Switch Mounting **4 Piece Kit**  
with 2 screws & 2 star washers 2660149 2.20



- Y Neutral Safety Switch Rod Mounting Kits**
- 53-59 Neutral Safety Rod Mounting **8 Piece Kit**  
Includes 2 hairpin clips, 2 springs, 2 SAE flat washers & 2 cotter pins 4004082 6.90
- 60-61 Neutral Safety Rod Mounting **4 Piece Kit**  
Includes 2 hairpin & 2 "R" clips 4004084 4.00
- 62 Neutral Safety Rod M Mounting Clips  
Includes 2 hairpin clips. 4004086 2.50
- 63-64 Neutral Safety Rod Mounting Clips  
Includes 2 push on clips. 4004088 2.50

**4 speed Neutral Safety Switch**

- Prevents starting unless in Park or Neutral.*
- 69-81 Safety Switch **NOS Delco** 4002180 95.00
- 69-81 Safety Switch **foreign Repo** 4002182 51.75
- 69-81 Switch Mounting Screw 4002172 2.00
- 69-81 Rod Mounting Hair Pins Pair 2660148 2.50
- Neutral Safety Extension Harnesses**
- 69-76 N.S. Extension **Harness** or  
Early 77 with Alarm switch in Fender 4004516 17.50
- Late 77 with Alarm switch in Door  
N.S. Extension **Harness** 4004520 30.95
- 78 N.S. Extension **Harness** 4004522 30.50
- 79 N.S. Extension **Harness** 4004524 15.95
- 80-81 N.S. Extension **Harness** 4004526 17.00

**68-82 Automatic Trans Only Neutral Safety Switch**

- Neutral Safety + Back-Up Switch with Harness with authentic connections made from factory tooling.**
- 68 N.S. & Back-Up Switch 4004202 61.50
- 69-71 all N.S. & Back-Up Switch and  
72 without Seat Belt Warning 4004204 61.50
- 72 N.S. Switch with Seat Belt Warning and  
73 all N.S. & Back-Up Switch 4004206 61.50
- 74-75 N.S. & Back-Up Switch 4004208 61.50
- 76-82 N.S. & Back-Up Switch 4004210 61.50
- 68-82 Switch Mounting **Screws** Pair 4004194 1.95