

## 32 Steamin' Heat™ 76-82 Radiator Support Seal Kits

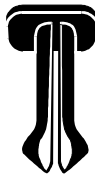
Most 69-78 seals use PIF = Push In Fasteners.  
PIF are Not Included with Seal Kits.

### PIF required

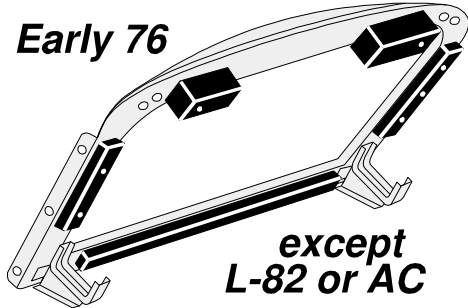
<b>Y</b>	Early 76 with out L-82 or AC	7	1274450	20.00
<b>Z</b>	Early 76 with L-82 or AC	7	1274452	20.00
<b>AA</b>	Late 76-78 without L-82, AC or Heavy Duty Rad	2	1274454	18.50
<b>BB</b>	Late 76-78 with L-82, AC or Heavy Duty Rad	2	1274456	18.50
<b>CC</b>	79-80 with out L-82, AC or Heavy Duty Rad 81 with out Heavy Duty Rad 82 All Models	none	1274458	18.50
<b>DD</b>	79-80 with L-82, AC or Heavy Duty Rad 81 with Heavy Duty Rad	none	1274460	18.50

### 69-78 Push In Fastener = PIF

Stamped steel with Black phosphate finish used to attach some of the radiator seals to the radiator support. The quantity required varies between models. See the description for each seal kit for the quantity that is required for your model.



### Early 76



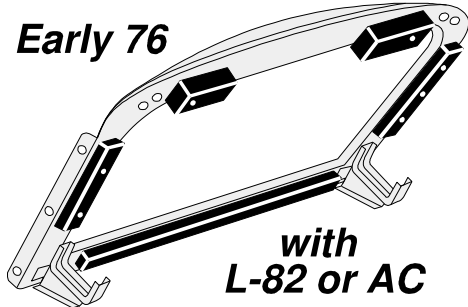
except  
L-82 or AC

### Y Early 76 except L-82 or AC Radiator Support Seal 5 Piece Kit

Includes LH & RH upper horizontal seals, lower horizontal seal, plus LH & RH vertical side seals with pre-punched mounting holes & PSA. Uses 7 PIF. 1274450 20.00

**How to Tell Early 76 from Late 76**  
Early 76 uses a lower horizontal radiator seal & the upper radiator outlet curves to the right.  
Late 76 does not use a lower horizontal radiator seal & the upper radiator outlet points straight to the rear

### Early 76



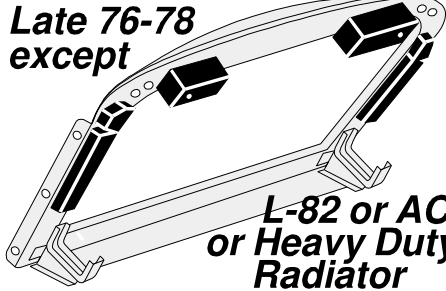
with  
L-82 or AC

### Z Early 76 with L-82 or AC Radiator Support Seal 5 Piece Kit

Includes LH & RH upper horizontal seals, lower horizontal seal, plus LH & RH vertical side seals with pre-punched mounting holes & PSA. Uses 7 PIF. 1274452 20.00

**WRINKLED PSA**  
see note on page 20

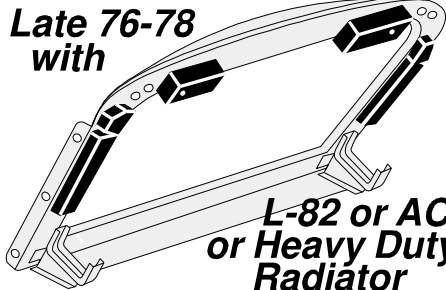
### Late 76-78 except



L-82 or AC  
or Heavy Duty  
Radiator

**AA Late 76-78 except L-82, AC or Heavy Duty Radiator Support Seal 4 Piece Kit**  
Includes LH & RH upper horizontal seals, plus LH & RH vertical side seals with pre-punched mounting holes & PSA. Uses 2 PIF. 1274454 18.50

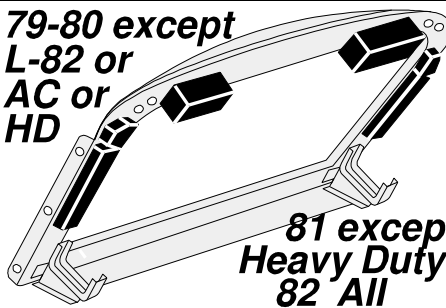
### Late 76-78 with



L-82 or AC  
or Heavy Duty  
Radiator

**BB Late 76-78 with L-82, AC or Heavy Duty Radiator Support Seal 4 Piece Kit**  
Includes LH & RH upper horizontal seals, plus LH & RH vertical side seals with pre-punched mounting holes & PSA. Uses 2 PIF. 1274456 18.50

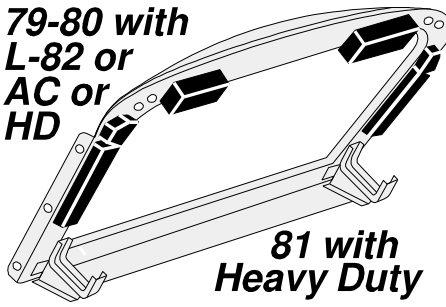
### 79-80 except L-82 or AC or HD



81 except  
Heavy Duty  
82 All

**CC 79-80 except L-82, AC or Heavy Duty 81 except Heavy Duty Radiator, 82 All Support Seal 4 Piece Kit**  
Includes LH & RH upper horizontal seals, plus LH & RH vertical side seals with PSA. PIF are Not used. 1274458 18.50

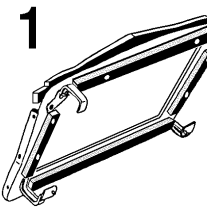
### 79-80 with L-82 or AC or HD



81 with  
Heavy Duty

**DD 79-80 with L-82, AC or Heavy Duty, 81 with Heavy Duty Radiator, Radiator Support Seal 4 Piece Kit**  
Includes LH & RH upper horizontal seals, plus LH & RH vertical side seals with PSA. PIF are Not used. 1274460 18.50

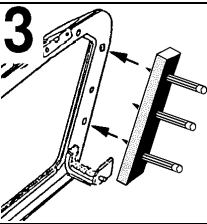
## These are the Basic Steps for Installing PSA Pressure Sensitive Adhesive



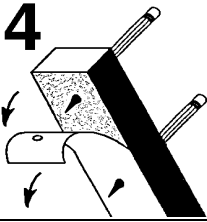
**1** Note the position of your factory seals prior to removing them from the radiator support. If missing consult Assembly Instruction Manual.



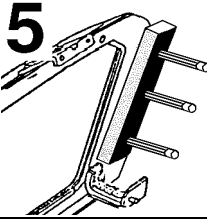
**2** Thoroughly clean the radiator support surfaces to remove your old seals, dirt and grease. Remove any loose paint, then prime & repaint as needed.



**3** Determine the location of all parts i.e. upper, lower, LH and RH. To aid positioning, line up parts with holes by pushing pencils into the holes.



**4** Remove the protective paper covering the adhesive. Do not permit the adhesive to contact grease, dirt, "finger fat" or other contaminants.



**5** Line up parts & apply firm pressure over the entire surface.  
**Warning:** once in place, these seals can not be moved without tearing the rubber.

## Radiator Caps

Delco Stainless Steel Radiator Caps		
53-55 4 LB CAP with 6 Cyl	1203102	9.50
55-60 7 LB CAP with V8	1203103	9.75
58-59 13 LB CAP with F.I.	1230104	9.00
61-72 15 LB CAP Aluminum Radiator	1203107	16.50
73-82 15 LB CAP Copper Radiator	1203107	16.50

### Reproduction Radiator Caps

Zinc plated Steel or Aluminum with the indents, markings & logos as factory & made in the USA.		
<b>A</b> 55-57 Cap with "SM and 1" logo	1203110	45.00
<b>B</b> 58-61 Cap with "549-7# and RC-1" logo. Use with Copper radiator.	1203111	45.00
<b>C</b> 60-61 Cap with "AC-362 and 13#" logo. Use with Aluminum Tank Top Radiators.	1203112	59.50
<b>D</b> Early 61 Cap with "AC-306 and 13#" logo. Use with Aluminum radiator, except Tank Top Radiators. Use up to February 61.	1203113	59.50
<b>E</b> Late 61-Early 63 or 65 39.6 CAP with "AC-307 & 13#" logo. Use from Feb 61-Aug 63	1203114	45.00
<b>F</b> Late 63-67 327 Cap with both "AC-307 and 13#" both circled. Use with all 327 exc AC	1203115	45.00
<b>G</b> 64-67 327 with AC and 67 L-88 Cap with "RC-26 and 15#" logo.	1203116	45.00
<b>H</b> 66-72 with 427 or Copper Radiator Cap with "15 # and RC-15" logo.	1203117	45.00