

63-76 PS "Bolt-On" Conversion Kit

Includes these parts & Instructions

Control Valve, Hydraulic Cylinder, 4 Hoses, Pitman Arm, Relay Rod with all the necessary mounting brackets and mounting hardware, plus Pump Pulley and a Rebuilt PS Pump. Crank Pulley & Engine Belts are NOT included.

Note only 1 rebuilt part in these kits

PS Kits Specify Year & Horsepower

Will not work with 6 qt oil pan or wide aftermarket pulleys.

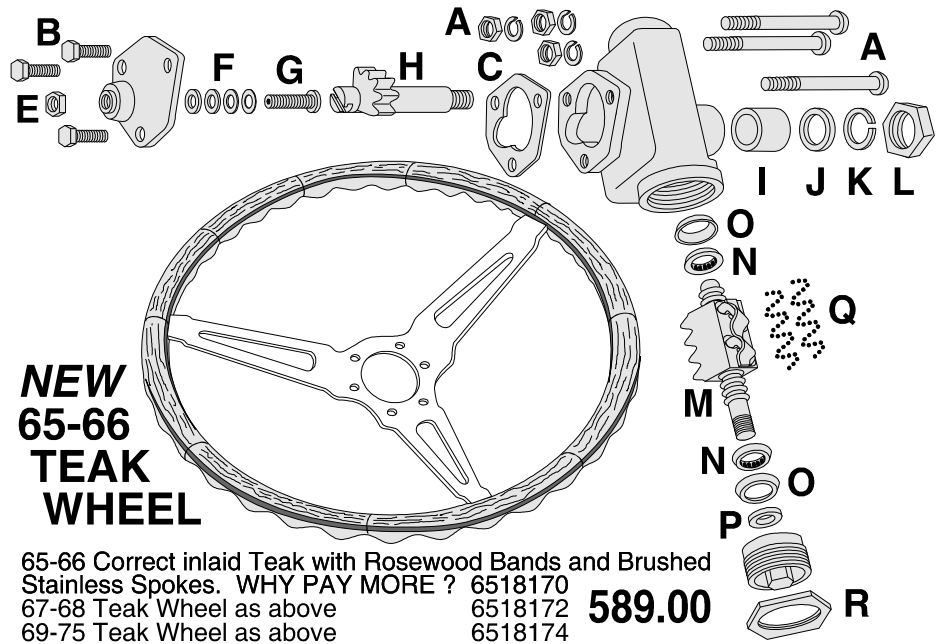
63-76 Base 327 / 350 PS Kit O/S	6670902	765.00
63-76 Hiper 327 / 350 PS Kit O/S	6670904	765.00
66-69 427 PS Kit O/S	6670906	939.00
70-74 454 PS Kit O/S	6670908	939.00

3 spoke 63-82 Steering Wheels

63-68 Authentic grain molded plastic with 3 Brushed Spokes		
63 Black 6518190	348.50	63 Red 6521191 348.50
63 Saddle 6518192	348.50	63 Navy 6521193 348.50
L63-66 Simulated Wood Wheel as orig.	6521194	298.00
67-68 Simulated Wood Wheel as orig.	6521195	298.00
68-82 Black Spoke Mahogany Wood Wheel	6521188	119.50
68-82 Chrome Spoke Black Leather	6521189	114.95
Authentic Padded Wheels now in all OEM Colors.		
77-79 Satin Spokes - Specify color/trim #	6521186	219.95
80-82 Black Spokes - Specify color/trim #	6521187	219.95

63-82 Steering Box

A Steering Box to Frame 9 Piece Mounting Kit with 3 carriage bolts, 3 nuts & 3 lk wshrs	6800206	14.75
B Steering Box Cover Mtg 3 Piece Kit	6800208	2.75
C Genuine Tan Fiber Side Cover Gasket	6518225	2.95
D Aluminum Side Cover	6800210	disc
E Lash Adjuster Lock Nut	6800112	5.75
F Lash Adjuster Shim 4 Pieces	6800114	22.50
G Gear Lash Adjuster Screw NOS	6800118	12.50
H Pitman Shaft and Gear	6800224	135.00
I Pitman Shaft Bushing	6800226	19.60
J Pitman Shaft Grease Seal NOS	6800228	17.95
J Pitman Shaft Grease Seal Repr	6800308	10.50
K Pitman Shaft Lock Washer	6200272	5.25
L Pitman Shaft Mounting Nut	6200268	10.60
M Worm Gear With Ball Nut, Guides & 54 Balls		
63-69 Worm Assy	6800234	164.95
70-82 Worm Assy. NOS	6800238	275.00
N Worm Gear Bearing 2 reqd NOS	6800240	11.95
O Worm Gear Race 2 reqd	6800242	12.50
O+P Bearing + Race Repr 2 reqd	6800312	19.00
P Worm Gear Grease Seal Repr	6800310	9.25
P Worm Gear Grease Seal NOS	6800245	25.00
Worm Gear Ball Bearing Return Guides		
4 reqd disc NOS	6800239	45.00
Q Ball Bearing 54 Piece Set	6800249	14.75
R Worm Adjuster Lock Nut	6800252	10.00
63-82 Steering Box 60 Piece Bearing & Seal Kit includes above D+H+J+N+P+Q	6800202	79.00
Rebuilt Steering Box ready to Bolt In.		
63-68 Includes \$80.00 core charge.	6800304	299.00
69-82 Includes \$50.00 core charge.	6800306	299.00



NEW 65-66 TEAK WHEEL

65-66 Correct inlaid Teak with Rosewood Bands and Brushed Stainless Spokes. WHY PAY MORE ? 6518170
 67-68 Teak Wheel as above 6518172 **589.00**
 69-75 Teak Wheel as above 6518174

63-82 Steering Column Seals

Reduce Noise, Heat, Vibration & Fumes		
S 63-66 Only Outer Firewall Seal authentic 3/8" Black sponge, seals the outer firewall bracket	6518201	4.00
T 65-66 Tele Only Column Lower Bearing Seal authentic thick Gray Felt.	6521125	16.00
T 67 Column Plastic 2 piece Collar Cover	6518343	65.50
U 67 Only Outer Firewall Seal authentic 1/4" Black sponge that seals the outer firewall mounting bracket		
Beware thick 63-66 replacements	6518203	4.75
V 67-68 Tele Only Column Lower Bearing Seal Authentic Gray Felt.	6521133	3.95
68 Column Plastic Collar Cover 2 Piece Sets		
Upper 2 Piece Column Plastic Cover	6518345	
Lower 2 Piece Column Plastic Cover	6518344	
W 68 Only Inner Firewall Seal authentic 1/4" Black sponge, seals the inner firewall mount bracket.	6518210	4.75
X 68 Only Upper Steering Column Cover Seals Pair authentic Felt Seal 2 Piece Set for the upper and lower steering column covers.	6521136	4.50
Y 69-71 Only "U" Shaped Steering Dash Support Seal authentic dense Rubber insulates sharp metal edge of the dash support bracket	6518214	6.75
Z 69-82 Only Outer Firewall Seals Pair Die Cut Polyfoam, Seals the Outer Firewall Brackets Mounting Bolt Holes.	6518216	3.50
AA 69-82 Only Inner Firewall Seal Die Cut Black sponge, seals the inner firewall mounting bracket.	6518212	5.00

53-82 Steering Box Lube

Steering Box Lube 14 1/2 ounces	8800446	6.50
---------------------------------	---------	------

Steering Column Springs

Authentic design compression springs with both of the Ends Ground Flat for a flush fit against the steering column bearings as required.

A 53-62 Upper Bearing Spring	6521100	4.00
B 63-66 Lower Bearing Spring	6521105	4.00
C 67-68 Lower Bearing Spring	6521110	4.00
D 65-66 Upper Spring with Tele or 67-68 Upper Bearing Spring	6521111	4.00

E 69-76 Upper Bearing Spring	6521128	6.50
F 77-79 Upper Bearing Spring	6521130	15.00
G 69-82 Tele Upper Bearing Spring	6521129	20.00
H 69-79 Lower Bearing Spring	6521121	22.50

