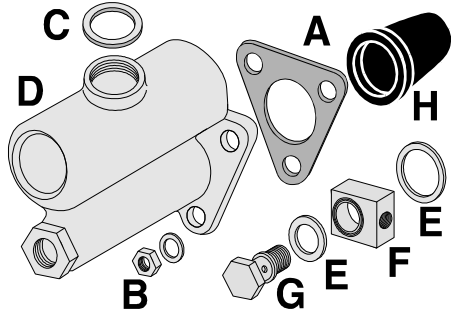


53-62 Master Cylinder

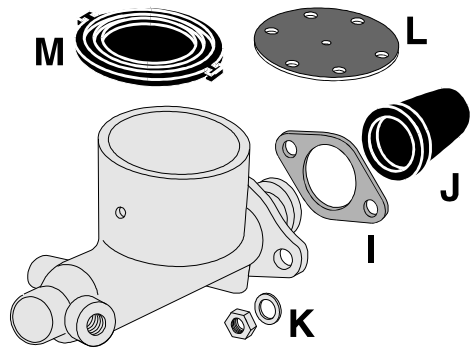
- A** 53-62 Master Cylinder Firewall Seal
Die cut Black sponge rubber. 4652104 **4.00**
- B** 53-62 Master Cylinder 6 Piece Mounting Kit
With 3 nuts & 3 lock washers. 4652100 **2.50**
- C** 53-62 Master Cylinder Cap Gasket
Authentic die cut tan fiber material. 4652098 **2.00**
- D** 53-62 Complete Master Cylinder Assembly
Replacement design 4651101 **108.00**
61-62 Master Cylinder Molded Plastic Cap
Authentic for 61-62: will fit and function as a
replacement design for 53-60 4652106 **16.50**



- E** 53-62 Inner & Outer Copper Crush Washer Set
Special Copper gaskets required to seat connector
block & mounting bolt. 4669117 **5.00**
- F** 53-62 Master Cylinder Connector Block
Authentic brass 4669115 **18.00**
- G** 53-62 Master Cylinder Hollow Bolt
Authentic factory design 4669116 **18.00**
- H** 53-62 Rear Boot NOS 4652101 **10.00**
53-62 Cylinder Mounting Cotter Pin 4652099 **0.95**
53-62 Brake Pedal Return Spring
Prevents pedal dragging. 3451401 **6.75**

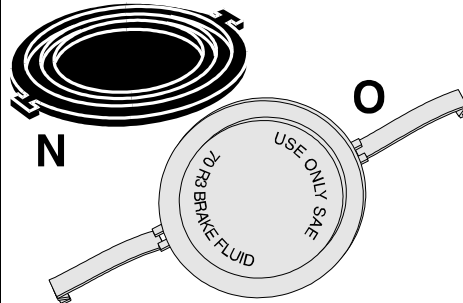
63-82 Master Cylinder

- I** 63-76 Cylinder Firewall Seal except PB
Die cut Black sponge rubber. 4652102 **4.00**
- J** 63-76 Rear Boot exc PB NOS 4652101 **10.00**
- K** Master Cylinder to Firewall Mounting Kits
63-69 Master Cylinder 4 Piece Mounting Kit
with 2 nuts & 2 lock washers. 4652095 **2.00**
70-82 Master Cylinder Firewall 2 Piece Mounting
with 2 flanged mounting nuts. 4652094 **2.50**

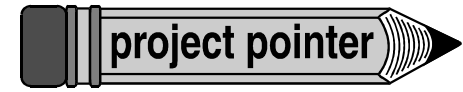


- L** 63 Master Cylinder Cap Gasket
Ours is die cut, others are not. 4652105 **4.00**
- M** 64 Master Cylinder Cap Gasket
These are not replacements, these are genuine
NOS discontinued parts. 4652111 **22.00**
64 Cap Replated Not Delco 4652109 **26.25**
64 Cap Bail = Retainer Wire
Replated Factory 4652110 **10.50**
65-66 Master Cylinder Cap with PB
Authentic translucent nylon with **Delco logo**.
Factory replica. 2 reqd. 4652112 **17.50**
- N** 65-66 Cap Gasket except PB,
not repro, these are NOS 4652115 **15.00**

- O** 65-66 Master Cyl Cap except PB with Yellow Dichromate
plated cap & 2 Zinc plated spring steel retainer clips.
NOS Bendix caps. not repro, 4652114 **30.00**
.Repro Cap with 2 retainers 4652136 **26.50**



- 67-74 Master Cylinder Cap
Authentic Yellow Dichromate finish & design without
raised "mole tracks". 4652124 **19.50**
- 75-82 Master Cylinder Cap
Authentic Yellow Dichromate. 4652121 **12.50**
- 67-82 Rubber Cap Gasket 4652120 **5.75**
- 67-82 Cap Bail = Retaining Wire 2 reqd.
Bail Wire except HD .Repro 4652118 **4.00**
Bail Wire except HD NOS 4652122 **6.00**
Bail Wire with HD 4652123 **9.50**



How to I.D. Factory Master Cylinders

Check the casting number, bore diameter, the presence or absence of bleeder screws and the following casting marks.

Year	Casting #	Dia	Bleeder	Also Cast
53-56	5450233	1"	None	Delco Moraine
57-62	5456022	1"	None	Delco Moraine
63	5462389	7/8"	PB only	()
64	5464264	7/8"	PB only	()
65-66 Std	22250032	1"	None	
65-66 with PB	5467084	1"	None	()
<i>(Early 65 PB has 3/16" lines; late 65-66 PB has 1/4")</i>				
67 except J-56	5455509	1"	Two	()
67 with J-56	5450346	1 1/8"	Two	()
68-72 Std	5455509	1"	Two	()
68-72 with PB	5466309	1 1/8"	Two	()

Master Cylinder Sleeve

Service includes line bore & installation of a Brass Sleeve and test for leaks. These units are for the Exchange of a "Like-For-Like" factory master cylinder only. Your factory master cylinder must be complete & received in advance of our shipment. Empty Brake Fluid prior to shipping. Add \$ 75. for the return of your factory core unit & allow 8 weeks.

Exchange Only - Not For Sale

53-62 All models	4650005	225.00
63 without Power Brake	4650006	225.00
63 with Power Brake	4650018	225.00
64 without Power Brake	4650007	225.00
64 with Power Brake	4650020	225.00
65-66 without Power Brake	4650008	225.00
Early 65-66 Power Brake 3/16" lines	4650016	225.00
Late 65-66 Power Brake 1/4" lines	4650009	225.00
67 without Heavy Duty J-56	4650010	225.00
67 with Heavy Duty J-56.	4650011	225.00
68-76 without Power Brakes	4650012	225.00
68-82 with Power Brakes	4650014	225.00

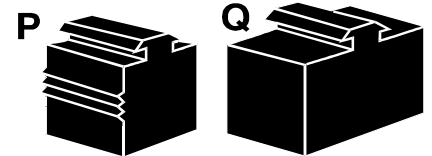
53-82 New Master Cylinders

The following are brand new master cylinders, however only the 65-66 model has the authentic factory design. The other are replacements, however they mount without any changes or modifications to your brake lines, booster or pedals.

53-62 Master Cylinder Assembly	4651101	108.00
63-64 Master Cylinder Assembly	4651102	98.00
65-66 Master Cylinder Assembly except PB Factory design Bendix	4651103	150.00
67-76 Master Cylinder Assy except PB w/o bleeder screws. Delco Replacement	4651104	98.50
Generic Replacement	4651107	79.50
67-76 Master Cylinder Assy with PB w/o bleeder screws. Delco Replacement	4651105	89.50
Generic Replacement	4651108	79.50
77-82 Master Cylinder Assy Delco Replmt	4651106	98.50
77-82 Master Cylinder Assy Generic Repl	4651109	79.50

Pedal Assembly

- Brake Pedal Assembly to Firewall Mounting Kits
- 63-65 Pedal Firewall 6 Piece Mounting Kit
with 2 nuts, locks & flat washers. 4652092 **2.00**
- 66-67 Pedal Firewall 2 Piece Mounting Kit
with 2 flanged mounting nuts. 4652094 **2.50**
- P** 55-72 Clutch Pedal Rubber Bumper
Authentic size molded rubber even has **Raised Ribs**
on the surface; not an over sized replacement. Also
use 1 for the brake pedal. 3787804 **2.00**



- Q** 73-82 Clutch Pedal Rubber Bumper
Authentic size molded rubber. Also use one for the
brake pedal bumper. 3787817 **5.00**
- 63-81 Pedal Shaft Plastic Bushings *Select ...*
End Bushings 4 reqd. 3787805 **1.95**
Center Bushing GM disc not repro 3787809 **10.00**
- Brake Pedal Return Springs:
63-66 Pedal Spring **Black** 3451402 **5.75**
67-81 Pedal Spring **Orange** 3451403 **5.75**
- 63-81 Shaft Mounting Clip 3787806 **2.75**
- 63-67 Brake Pedal Clevis genuine GM solid block
style, not replacement U shape 3451312 **20.00**
- 63-67 Clevis Pin Replated Factory GM 3451314 **10.00**
- 63-81 Wavy Washer 3451316 **0.95**
- 63-81 Clevis Pin Mounting Clip 3451318 **1.75**
- 63-81 Clevis Rod Mounting Nut 3451320 **0.95**
- 63-67 Pushrod except PB
not replacement 3451322 **22.00**

Master Cylinder Rebuild Kits

53-66 includes in order from front to rear: valve seat, check valve, return spring, primary cup, piston, secondary cup & retaining ring.



53-62 Rebuild Kit	4649101	24.95
63-64 Rebuild Kit	4649102	24.95
65-66 except PB Rebuild Kit	4649103	24.00
65-66 Rebuild Kit with PB This kit only includes piston rubber seals & the retaining clip. 4649104 24.95		
67-82 kits includes complete rear piston assy, 3 front piston seals, seal protector & retaining ring		
67 Rebuild Kit except J-56 or		
68-76 Rebuild Kit except PB	4649105	29.95
67 Rebuild Kit with HD or		
68-76 Rebuild Kit with PB	4649108	34.95
77-82 Rebuild Kit	4649109	34.95