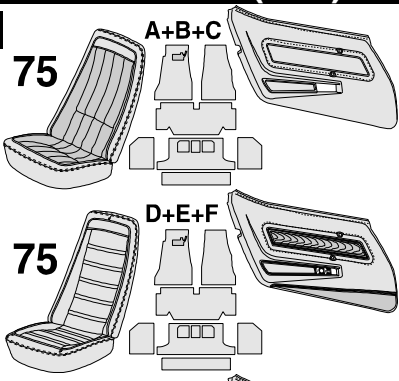


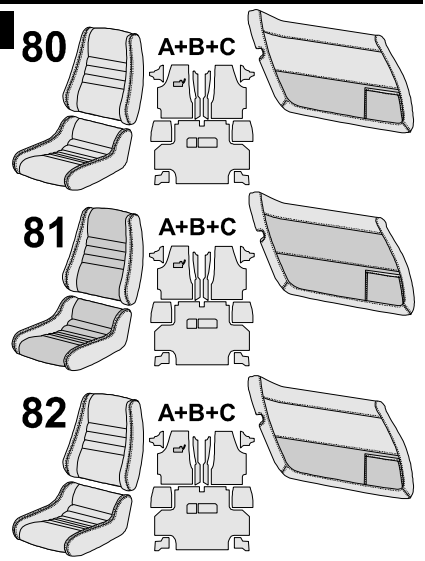
1975 Packages

- A Vinyl Seat Covers** Pg 214
- B 80/20 Molded Carpet with Jute On The Front** Pg 212
- C Molded Door Panels** Pg 208
- D Cut Pile Molded Carpet with Jute On The Front** Pg 212
- E Deluxe Door Panels with Attached Trim** Pg 208
- F Leather Seat Covers** Pg 215
- 75 A+B+C** 9898149 837.00
- 75 C+D+F** 9898156 947.00
- 75 D+E+F** 9898163 1257.00



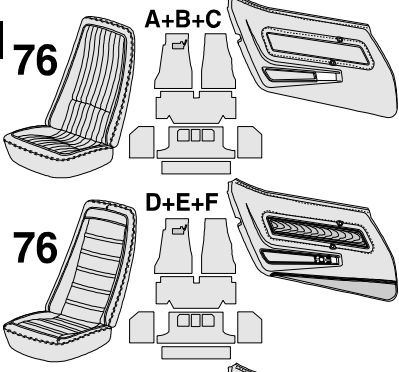
1980-82 Packages

- A Cut Pile Molded Carpet with Jute on the front** Pg 212
- B Molded Vinyl Door Panels** Pg 209
- C Leather Seat Covers** Pg 215
- D Mounted Leather Covers** Pg 215
- E Mounted 100% Leather Covers** Pg 215
- 80 A+B+C** 9898171 1067.00
- 81 A+B+C** 9898172 1067.00
- 82 A+B+C** 9898173 1067.00
- 80 A+B+D** 9898176 1389.00
- 81 A+B+D** 9898177 1389.00
- 82 A+B+D** 9898178 1389.00
- 80 A+C+E** 9898276 1437.00
- 81 A+C+E** 9898277 1437.00
- 82 A+C+E** 9898278 1437.00



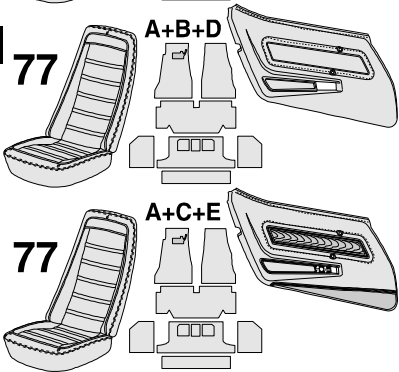
1976 Packages

- A Vinyl Seat Covers** Pg 214
- B 80/20 Molded Carpet with Jute on the Front** Pg 212
- C Molded Door Panels** Pg 208
- D Cut Pile Molded Carpet with Jute on the Front** Pg 212
- E Deluxe Door Panels with Attached Trim** Pg 208
- F Leather Seat Covers** Pg 215
- 76 A+B+C** 9898150 837.00
- 76 C+D+F** 9898157 947.00
- 76 D+E+F** 9898164 1257.00



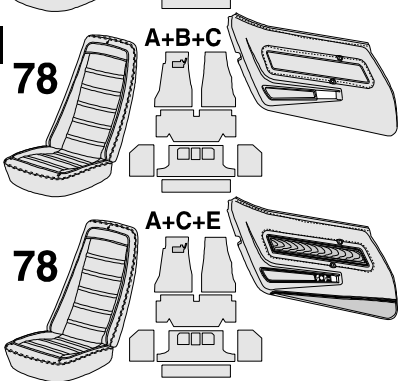
1977 Packages

- A Cut Pile Molded Carpet with Jute on the Front** Pg 212
- B Molded Door Panels** Pg 208
- C Deluxe Door Panels with Attached Trim** Pg 208
- D Leather Seat Covers** Pg 215
- 77 A+B+D** 9898165 947.00
- 77 A+C+D** 9898166 1257.00



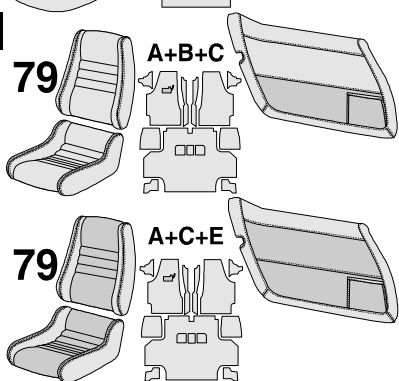
1978 Packages

- A Cut Pile Molded Carpet with Jute on the front** Pg 212
- B Molded Vinyl Door Panels** Pg 209
- C Leather Seat Covers** Pg 215
- D Mounted Leather Covers** Pg 215
- E Mounted 100% Leather Covers** Pg 215
- 78 A+B+C** 9898169 1067.00
- 78 A+B+D** 9898174 1389.00
- 78 A+C+E** 9898274 1437.00



1979 Packages

- A Cut Pile Molded Carpet with Jute on the front** Pg 212
- B Molded Vinyl Door Panels** Pg 209
- C Leather Seat Covers** Pg 215
- D Mounted Leather Covers** Pg 215
- E Mounted 100% Leather Covers** Pg 215
- 78 A+B+C** 9898170 1067.00
- 78 A+B+D** 9898175 1389.00
- 78 A+C+E** 9898275 1437.00



65-82 Brake Calipers

Stainless steel sleeved genuine **Delco** calipers includes pistons & seals. Add \$ 50. core charge if an un-sleeved rebuildable genuine **Delco** calipers is not returned as a core. Calipers with broken ears are not acceptable.

65-82 LH Front Brake Caliper	5000301	89.95	Ea
65-82 RH Front Brake Caliper	5000302	89.95	Ea
65-82 LH Rear Brake Caliper	5000303	89.95	Ea
65-82 RH Rear Brake Caliper	5000304	89.95	Ea

65-82 Rebuilt Disc Brake Caliper 4 Piece **Set** with Set of Standard Organic Brake Pads **Does 1 car** 5000299 329.00 St

NEW Stainless steel sleeved genuine **Delco** calipers, pistons & seals. No core charge these are **NEW** genuine **Delco** calipers – not used and they are Stainless sleeved also.

65-82 LH Front Brake Caliper	5000201	139.00	Ea
65-82 RH Front Brake Caliper	5000202	139.00	Ea
65-82 LH Rear Brake Caliper	5000203	139.00	Ea
65-82 RH Rear Brake Caliper	5000204	139.00	Ea

65-82 **NEW** Disc Brake Caliper 4 Piece **Set** with Set of Standard Organic Brake Pads **Does 1 car** 5000199 499.00 St

65-82 Disc Brake Caliper Pad Set Does 1 Axle front or rear			
Standard Organic 2 reqd.	5000310	15.95	St
Semi-Metallic 2 reqd.	5000312	22.50	St

65-82 Caliper Pad Mounting Pin 4 reqd	5000256	2.00	Ea
65-82 Front Caliper Piston 8 reqd	5000254	6.25	Ea
65-82 Front Piston Spring 8 reqd	5000252	1.75	Ea
65-82 Front Caliper Seal Does 1 wheel	5000250	12.00	Ea
65-82 Rear Caliper Piston 8 reqd	5000262	6.25	Ea
65-82 Rear Piston Spring 8 reqd	5000260	1.75	Ea
65-82 Does Rear Caliper Seal 1 wheel	5000258	12.00	Ea
65-82 Rear Caliper Core Plugs pair	5000246	3.50	Pr
65-82 Caliper Bleeder Screw 6 reqd	5000248	1.95	Ea
65-82 Caliper Mounting Bolt & Washer 8 Pieces			
Includes Grade 300 bolts	5000264	10.00	St

www.DocRebuild.com
 over 2,000 web pages
 over 1,000 tech dwg
 over 2,000 Vet pics
 Tips, History, Archive