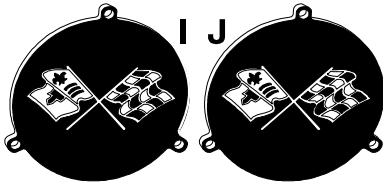


**Horn Button or Cap**

53-55 Horn Cap	2820102	68.00
<b>A</b> 56-57 Horn Cap or 59-62 Horn Cap with <b>Black trim</b>	2820103	39.75
<b>B</b> 58 Horn Cap with <b>White trim</b>	2820104	39.75
<b>C</b> 63-64 Horn Cap	2820105	61.75
<b>D</b> 65-66 Horn Cap except <b>Telescopic</b>	2820106	61.75
<b>E</b> 67 Horn Cap	2820109	44.75
<b>F</b> 65-66 Horn Cap with <b>Telescopic</b>	2820107	64.75
65-66 Horn Cap Stand only with <b>Tele</b>	2820108	18.95
<b>G</b> 68 All+69-75 except <b>Telescopic</b> Horn Caps <i>Select</i>		
<b>Repro</b> 2820122	46.90	NOS 2820110 49.95
<b>H</b> 69-75 Horn Cap with <b>Telescopic</b>		
<b>Repro</b> 2820124	46.90	NOS 2820111 59.50



68-75 Horn Cap **Emblems** exc **Tele** *Select*  
NOTE: NO White Circle around the Crossed Flags

<b>I</b> LH Upper Corner is <b>Black</b>	2820114	15.00
<b>J</b> LH Upper Corner is <b>White</b>	2820113	15.00
77-81 Tele Horn Cap		
<b>GM</b> without the Plastic center emblem	2820112	27.50
<b>Repro</b> with the Plastic center emblem	2820126	39.90
76 Horn Cap Emblem only <b>NOS</b>	2820115	27.50
77-81 except 78 Horn Emblem only	2820118	51.50
78 Anniversary Horn Emblem only <b>NOS</b>	2820119	65.00
68-82 Emblem Retainer <b>Ring</b> only	2820101	7.50

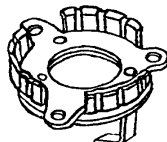
**Horn Connector Brush**

Insulated spring loaded tubular parts mount below the cap

56-62 Horn Brush <b>NOS</b>	2819101	20.00
63-66 Horn Brush <b>Repro</b>	2819102	16.00
67-82 Horn Brush <b>NOS</b>	2819100	7.50

**Horn Contacts**

Note: **Upper** horn contacts are just below and retain the horn button.  
**Lower**s are only used on 69-82.



56-62 <b>Upper</b> Horn Contact	2819104	40.00
63-66 except <b>Tele</b> <b>Upper</b> Horn Contact	2819105	29.95
67 except <b>Tele</b> <b>Upper</b> Horn Contact	2819108	30.60
67 with <b>Tele</b> <b>Upper</b> Horn Contact	2819111	29.95
68-75 except <b>Tele</b> <b>Upper</b> Horn Contact	2819108	30.60
68 <b>Upper</b> Horn Contact <b>Fiber Insulator</b>	2819112	4.00
68-82 with <b>Tele</b> <b>Upper</b> Horn Contact	2819111	29.95
<b>Upper</b> Horn Contact <b>Mounting Screw 3 Piece</b> Sets		
56-82 except <b>Tele</b> Set <b>Does 1 car</b>	2819003	2.00
67-82 with <b>Tele</b> Set <b>Does 1 car</b>	2819114	4.80

**Horns Wire Clip**

63-67 Horn Wire Mount  
Clip on Radiator Support  
Authentic "S" shape mounts  
on the lower radiator support.  
2820055 6.00 Pair



**12 Volt Horns**

Replacement Horn with Mounting Bracket made in the USA

55-82 <b>Hi</b> note Horn <i>replacement</i>	2820538	24.50
55-82 <b>Low</b> note Horn <i>replacement</i>	2820540	24.50

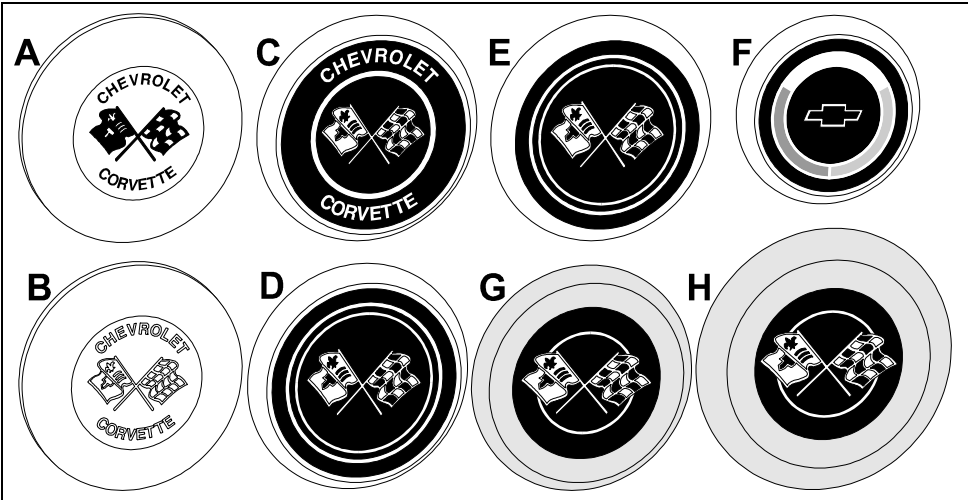
55-82 Genuine **Delco** Horns - but plastic replacements.

"F" note	2820510	49.50	"A" note	2820511	49.50
"D" note	2820512	49.50	"C" note	2820513	49.50

64-67 <b>Repro</b> Horns - Potmetal Pair	2820534	119.95
68-71 <b>Repro</b> Horns - Potmetal Pair	2820536	119.95

Use these to restore your factory horns. **Does 1 car.**

56-63 Horn Rebuild Kit & <b>Gaskets</b>	2820530	24.50
64-76 Horn Rebuild Kit & <b>Gaskets</b>	2820532	55.50



**Horn Relay, Mount, Conn**

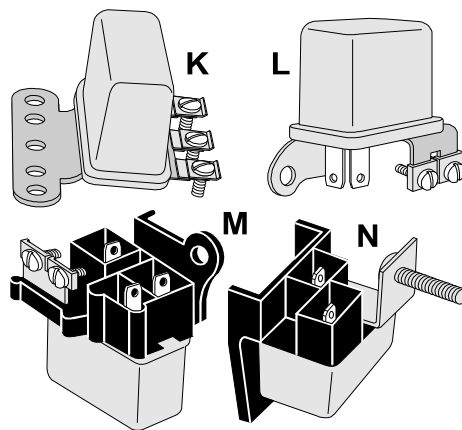
These are genuine Delco brand, but may appear different that the drawings shown below.

**NOT RETURNABLE if Factory Seal Broken**

Horn Relays...	Delco	Aftermarket
<b>K</b> 55-62 Relay	2822105 25.50	2822126 24.50
<b>L</b> 63-66 Relay	2822106 43.00	2822127 40.50
<b>M</b> 67-71 Relay	2822107 65.00	2822128 61.75
<b>N</b> 72-73 Relay	2822108 65.00	
74-78 Relay	2822109 14.75	2822129 14.00
79-89 Relay	2822110 12.90	2822130 12.00

**Horn Relay Mount and Connector**

55-62 Horn Relay Mounting <b>Screws</b>	2822112	2.20
63-66 Horn Relay Wire Harness <b>Plastic Connector</b>		
T style 2 wire female connector prevents hooking wires up backwards (wires not included)	2822125	6.50
63-67 Horn Relay Mounting <b>Screw</b>	2822114	1.00
67-71 Horn Relay Mounting <b>3 Piece Kit</b> includes <b>NOS</b>		
"T" Bolt plus 2 big head Aluminum rivets. 8846118	8846118	63.00
72-73 Horn Relay Mounting <b>4 Piece Kit</b> with 2 rubber well nuts & 2 screws. <b>Does 1 car.</b>	2822118	3.75



**Voltage Regulator**

**NOT RETURNABLE if Factory Seal Broken**

Voltage Regulators	Delco	Aftermarket
<b>O</b> 55-61 Regulator	2500103 84.00	2500112 75.00
<b>O</b> 62 Regulator	2500104 48.50	2500114 47.50
<b>P</b> 63-68 Regulator	2500105 61.95	2500116 57.50

63-68 Voltage Regulator Wire Harness **Plastic Connector** with 4 wire leads soldered to Brass terminals; allows repair to your wiring harness. 2485216 5.00

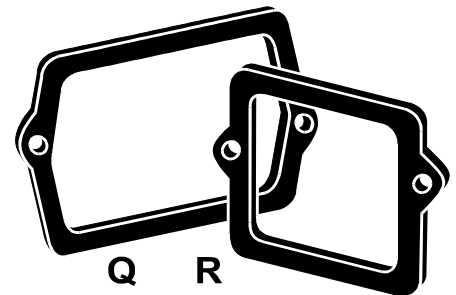
63-68 Voltage Regulator **Delco** Embossed Steel Cover  
Genuine **Delco** steel cover only 2500107 30.00

69-84 **Delco** Internal Voltage Regulator mounts inside the Alternator List \$ 38.50 2500106 29.95

**Regulator Cover Gaskets**

Currently manufactured new Voltage Regulators use a molded White Plastic replacement part for the cover gasket. You can see it under the edges of the cover. We have the die cut Neoprene sheet rubber part to restore your part.

<b>Q</b> 55-62 Rubber Cover <b>Gasket</b>	2500562	5.25
<b>R</b> 63-68 Rubber Cover <b>Gasket</b>	2500638	4.80



**Voltage Regulator Mounting**

55-62 Voltage Regulator Mounting <b>Screw 3 Piece Set</b> Black Phosphate Finish.	2500110	2.50
63 Mounting <b>Screw 3 Piece Set</b>	2500099	2.50
64-68 Rubber Nut <b>3 Piece Set</b>	2500101	3.00
64-68 Mounting <b>Screw 3 Piece Set</b>	2500102	2.75

Generator to Regulator Wiring Harnesses:

58-59 with <b>Vinyl Wrap</b>	2525114	35.00
60-62 with <b>Braided Metal Wrap</b>	2525115	35.00
64-65 Volt Regulator <b>Ground Wire</b>	2515262	12.00
65 396 Volt Regulator <b>Lead Harness</b>	2515266	29.95

