

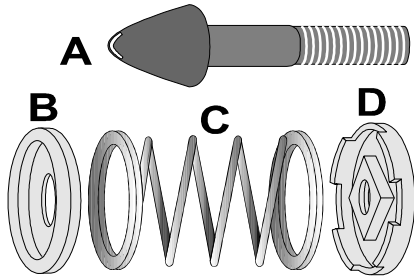
68-76 Male Hood Pin Bolt

Includes male pin bolt (not a ground-off bogus bolt), plus pop up spring, spring retainer & spring seat with weld nut.

53-67 see previous page

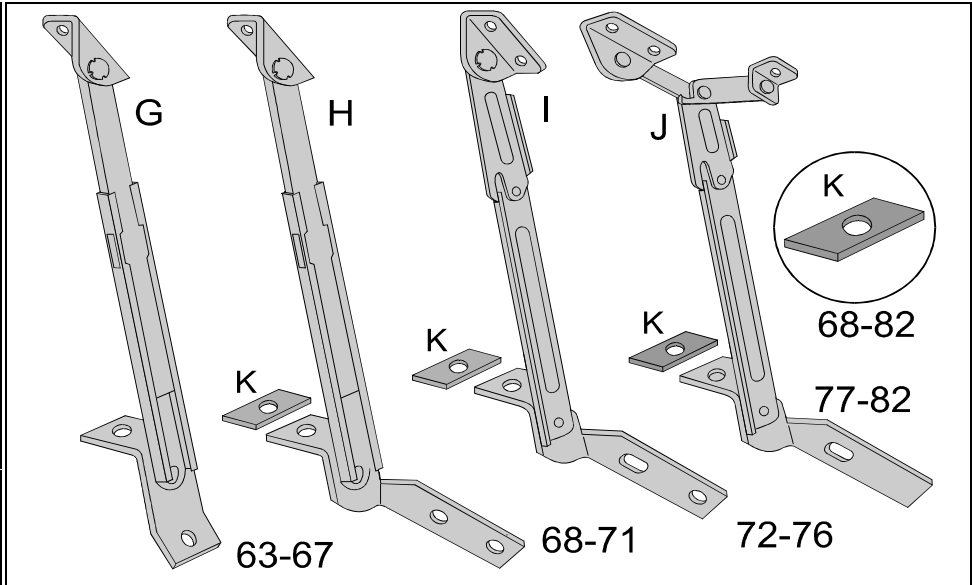
68-69 Includes A, B, C, D. 8015325 25.75

70-76 Includes A, B, C, D. 8015327 27.50



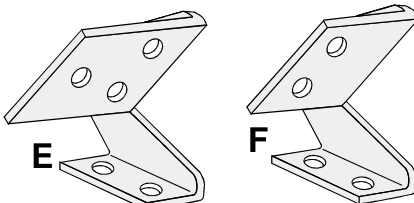
68-76 Hood Pin Bolt Parts 2 of each piece reqd

| | | | |
|---|----------------------------------|---------|-------|
| A | 68-69 Male Hood Pin Bolt | 8015233 | 13.95 |
| A | 70-76 Male Hood Pin Bolt | 8015230 | 11.95 |
| B | Male Pin Bolt Spring Retainer | 8015161 | 4.00 |
| C | Male Hood Pin Bolt Spring | 8080121 | 5.50 |
| D | Male Pin Bolt Seat with Weld Nut | 8015162 | 7.50 |



58-82 Hood Hinges

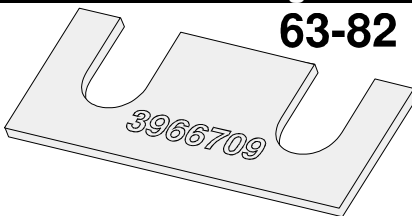
| | | | |
|---|---|---------|-------|
| | 58-62 LH Hinge USA Repto | 8015158 | 24.95 |
| | 58-62 RH Hinge USA Repto | 8015159 | 24.95 |
| E | 63-67 LH Hinge disc GM Factory GM with so plating finish. | 8015165 | 45.00 |
| E | 63-67 LH Hinge China Repto | 8015136 | 24.95 |
| E | 63-67 RH Hinge China Repto | 8015166 | 24.95 |
| E | 63-67 LH Hinge USA OEM | 8015146 | 27.00 |
| E | 63-67 RH Hinge USA OEM | 8015147 | 27.00 |
| | 63-67 Hood Hinge 10 Piece Hardware Mounting Kit Includes 4 mounting bolts to the body & 6 mounting bolts to the hood, all Black plated indented hex washer head. Does 1 car | 8015171 | 4.95 |



| | | | |
|---|---|---------|-------|
| F | 68-82 LH Hinge China Repto | 8015216 | 23.25 |
| F | 68-82 RH Hinge China Repto | 8015217 | 23.25 |
| F | 68-82 LH Hinge USA OEM | 8015144 | 26.50 |
| F | 68-82 RH Hinge USA OEM | 8015145 | 26.50 |
| | 68-82 Hood Hinge 8 Piece Hardware Mounting Kit Includes Black plated indented hex washer head design bolts. Does 1 car. | 8015219 | 4.50 |

63-82 Hood Hinge Shim

63-82



63-82 Hood Hinge Shim USA Stamped steel with a quality Zinc plating. 1-3 pair reqd per car Go ahead and Compare these with any original! Pair 8015170 8.95

63-82 Hood Hinge Reinforcement

Reinforcements rivet to the fiberglass inner fender skirts. The weld nuts accept the bolts from the hood hinges & are also bolted to the sides of the radiator support. Ours Fit.

| | | | |
|--|--|---------|-------|
| | 63-67 LH Hinge Reinforcement USA | 8015332 | 20.00 |
| | 63-67 RH Hinge Reinforcement USA | 8015334 | 20.00 |
| | 63-67 Reinforcement Mounting Rivet 8 Piece Set Does 1 car. | 8015338 | 2.80 |

| | | | |
|--|--|---------|-------|
| | 68 LH Hood Reinforcement | 8015342 | Disc |
| | 69-76 LH Hood Reinforcement | 8015344 | Disc |
| | 77-82 LH Hood Reinforcement NOS GM part # 14015247 | 8015346 | 75.00 |
| | 68-73 RH Hood Reinforcement | 8015348 | Disc |
| | 74-78 RH Hood Reinforcement NOS GM part # 339138 | 8015358 | 75.00 |
| | 79-82 RH Hood Reinforcement NOS GM part # 14015248 | 8015350 | 75.00 |
| | 68-82 Reinforcement Mounting Rivet 6 Piece Set Does 1 car. | 8015340 | 2.60 |
| | 68-82 Reinforcement Mounting Rivet 6 Piece Set Does 1 car. | 8015340 | 2.60 |

68-82 Hood Hinge Reinforcements Substitutions

The 69-76 LH Hinge Reinforcement can be replaced with a 77-82 LH Reinforcement if 1 mounting hole & nut are added to the part. 68-76 RH can be replaced with 77-82 RH.

53-82 Hood Supports

| | | | |
|---|---|---------|-------|
| | 53-57 Hood Support Repto | 8015153 | 73.95 |
| | 58-62 Hood Support Repto | 8015152 | 59.00 |
| | 63-67 Hood Support OEM | 8015169 | 62.00 |
| | 63-67 Hood Support Repto | 8015151 | 42.00 |
| | 63-67 Hood Support Skirt Reinforcement | 8075190 | 9.95 |
| | Hood Support Mounting Hardware Kit Does 1 car. | | |
| | 63-67 Support 4 Piece Mount Kit | 8015173 | 3.00 |
| | 68-76 Support 5 Piece Mount Kit | 8015213 | 2.50 |
| | 77-82 Support 5 Piece Mount Kit | 8015214 | 2.50 |
| | 68 Hood Support OEM | 8015209 | 69.00 |
| | 68 Hood Support Repto | 8015143 | 67.25 |
| H | 69-71 Hood Support OEM | 8015210 | 55.00 |
| H | 69-71 Hood Support Repto | 8015142 | 48.50 |
| | 72-Early 73 Hood Support Repto | 8015135 | 60.00 |
| I | Late 73-76 Hood Support NOS | 8015211 | 75.00 |
| I | Late 73-76 Hood Support Repto | 8015141 | 65.00 |
| | Early 77 Hood Support Repto | 8015134 | 70.00 |
| J | Late 77-82 Hood Support NOS | 8015212 | 72.50 |
| J | Late 77-82 Hood Support Repto | 8015140 | 67.00 |
| K | 68-82 Hood Support Rectangular Washer reinforces the hood surround lip on the left fenderwell. It helps disperse the force applied when the hood is opened. | 8015190 | 4.50 |

53-82 Female Hood Locks

Female Locks include Levers, Springs and Pins assembled.

| | | | |
|--|---------------------------------------|---------|-------|
| | 53-57 LH Female Lock Assembly | 8015148 | 89.95 |
| | 53-57 RH Female Lock Assembly | 8015149 | 89.95 |
| | 58-59 LH or RH Female Lk Assy 2 reqd. | 8015150 | 66.00 |

The 63-67 Lock Assemblies on the body include the return spring, adjustment screw, nut & rubber bumper.

| | | | | | | |
|--|---|---------|--------|----|---------|-------|
| | 63-64 LH | 8015188 | 60.95 | RH | 8015189 | 60.95 |
| | 65-67 LH | 8015185 | 59.95 | RH | 8015186 | 59.95 |
| | 63-67 Female Latch 6 Piece Hardware Mounting Kit Includes 6 Black plated indented hex washer head bolts. Does 1 car | 8015187 | 3.00 | | | |
| | Female Locks on the Hood: | | | | | |
| | Late 69-76 LH Female Lock NOS | 8015240 | 0.00 | | | |
| | Late 69-76 LH Female Lock Repto | 8015138 | 33.00 | | | |
| | Late 69-76 RH Female Lock NOS | 8015241 | 135.00 | | | |
| | Late 69-76 RH Female Lock Repto | 8015139 | 33.00 | | | |
| | 68-76 Female Hood Lock 8 Piece Mounting Kit Does 1 car | 8015242 | 3.50 | | | |
| | 77-82 Female LH Firewall Lock | 8015234 | Disc | | | |
| | 77-82 Female RH Firewall Lock | 8015235 | Disc | | | |
| | 78-82 Firewall Lock 12 Piece Mounting Kit with 6 nuts & 6 flat washers. | 8015236 | 3.00 | | | |
| | 77-82 Hood Mounted Striker Thick wire style; 2 reqd. NOS | 8015244 | 40.00 | | | |
| | 77-82 Striker Shim use as reqd | 8015245 | 5.00 | | | |
| | 77-82 Striker Mounting 4 Piece Set with 4 indented washer head bolts | 8015246 | 2.80 | | | |

63 Hoods Wedges

| | | | |
|--|---|---------|-------|
| | 63 White Nylon Hood Wedge Pair 1-2 pair reqd Mounts on the hood | 8024170 | 26.95 |
| | 63 Die Cast Zinc Hood Wedge Pair Mounts on the hood drip rail. | 8024172 | 69.00 |
| | 63 Nylon & Zinc Hood Wedge 4 Piece Set Includes 2 nylon & 2 Zinc wedges. 1-2 sets reqd. depending upon V.I.N. number | 8024174 | 81.00 |
| | 63 Hood Wedge Mounting Bolt Pair Indented hex head with lock washer. 2-4 pair reqd. | 1219215 | 2.00 |
| | 63 Hood Wedge Bonding Strip mounts the rearward zinc hood wedges to the underside of top surround panel. Match molded fiberglass smooth on both sides | | |
| | LH Wedge Bonding Strip | 8200309 | 44.50 |
| | RH Wedge Bonding Strip | 8200310 | 44.50 |

63 Hood Wedge Applications

Wedges are only used on some models in the middle of production and these VIN are approximate. Coupes use 2 sets of wedges between VIN 7,484 - 13,718 and 1 set of wedges between VIN 13,719 - 16,360. Convertibles use 2 sets of wedges between VIN 7,484 - 14,783 and 1 set of wedges between VIN 14,874 - 18,950.

Underhood Lamp & Harness

These lamps were factory on 77-82 models and can be retrofitted to any earlier 12 volt model.

| | | | |
|--|---|---------|-------|
| | Early 77 Lamp with Alarm switch in fender | 8024201 | 35.75 |
| | Late 77-79 with Alarm switch in door | 8024203 | 35.75 |
| | 80-82 Under Hood Lamp | 8024205 | 35.75 |
| | E77-82 Lamp Mounting 4 Piece Kit | 1018667 | 4.50 |