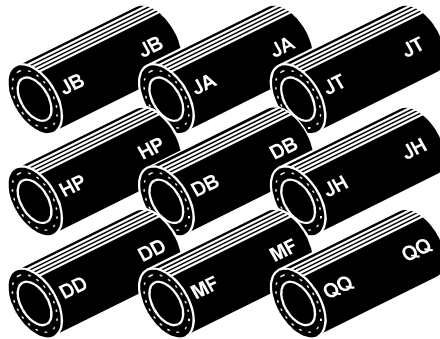


70-74 454 Heater Hose

70-72 454 without AC Heater Hose
Includes 5/8" and 3/4" I.D. hoses with "JA", "JB" and "DB" repeating codes. 8845258 55.00
73-74 except AC 454 Heater Hose
These are without factory logos. 8845205 42.50

68-82 with Air Conditioning using Molded Heater Hoses

These 70-78's DID NOT use logos or alphabetic codes. 79-82's used alphabetic codes that are not available.
68-69 327 / 350 with AC Heater Hose
Includes 5/8" & 3/4" hoses with **Molded Ends** to attach to the Heater Core. 8845242 69.95
68-69 427 with AC Heater Hose
Includes 5/8" & 3/4" hoses with **Molded Ends** to attach to the Heater Core. 8845244 69.50
70-82 350 with AC Heater Hose
Includes 5/8" & 3/4" hoses with **Molded Ends** to attach to the Heater Core. 8845246 69.50

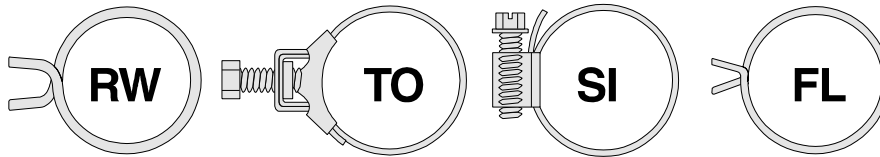


70-72 454 with AC Heater Hose
Includes 5/8" and 3/4" I.D. hoses both with **Molded Ends** with "JH" & "DD" codes. 8845260 65.00
73-74 454 with AC Heater Hose
Includes 5/8" & 3/4" hoses with **Molded Ends** without factory logos. 8845248 69.95

Hose Brackets & Straps

A 53-62 "Y" Shaped Heater Hose Bracket on Skirt
Quality zinc plated steel with rolled edge as factory to prevent cutting into the hose; Mounts on fender skirt with included authentic phillips pan head mounting screws. 53-54 1 reqd; 55 2 reqd; 56-57 3 reqd; 58-62 1 reqd **None Better** 8848105 11.00
B 58-62 Heater Hose Bracket on the Generator Mount
Zinc plated steel with rolled edge to prevent cutting into hose bolts to the generator bracket to keeps hoses away from the exhaust & the fan belt. 8848107 14.00
Mounting Bolt & Lock Washer 8848108 0.95
C 61-Early 65 Heater Hose Aluminum Tie Strap
61-62 use 1 in front of the generator bracket. Late 63 after Dec. 3, 1962 to Early 65 before March 19, 1965 use 2 straps to bind the heater hoses, one on either side of the expansion tank "T" pipe. 2259302 4.00
D Early 63 & 69 Heater Hose 7" Tie Strap
According to the AIM, prior to December 3, 1962 use 2 straps; use 1 piece on either side of the expansion tank "T" pipe. On 69 binds together the 5/8" heater hose & the RH smog pump hose. 2259212 3.00
E 63-65 Heater Hose Bracket
Stamped steel with rolled edge to prevents damage to the hoses. Mounts on the alternator support to keep the hoses away from exhaust manifold. 8848115 8.60
63-65 Heater Hose Bracket NOS
without the extra hole in bracket 8848116 22.50
63-67 Mounting Bolt for above 8848113 0.95

Corvette Factory Type Hose Clamps



Note: the factory manufacturer of the tower and side screw clamps went bankrupt in 1993. There is only a limited supply of these factory clamps. These are **NOS** except as noted.

KEY RW = Round Wire style **NOS**
TO = Top Screw Tower style **NOS "Wittek" + repro**
SI = Side Screw style **NOS "Wittek"**
FL = Flat Spring Steel style **NOS**

Radiator Hose Clamps

55-59 Upper with V-8 RW 4166901 2.50
59-69 Upper **NOS Wittek GM-66** TO 4166902 17.50
59-69 Upper **Repro Wittek GM-66** TO 4166812 4.80
59-69 Upper **NOS Wittek GM-66** TO 4166816 25.00
These are undated **NOS** clamps
70-82 Upper or Lower
NOS Wittek Suretite #28-H SI 4166903 15.00
55-60 Lower with V-8 RW 4166904 2.50
61-69 Lower **Repro Wittek GM-74** TO 4166814 4.80
61-69 Lower **NOS Wittek GM-74** TO 4166905 Disc
65 Lower 396 **NOS Wittek GM-80** TO 4166906 22.50
70-73 Lower 454 with AC
NOS Wittek Suretite #32-H SI 4166907 15.00

Heater Hose Clamps

56-67 5/8" RW 4166915 1.25
68-82 5/8" **NOS Wittek GM-34** TO 4166916 12.50
58-67 3/4" RW 4166917 1.25
68-82 3/4" **NOS Wittek GM-38** TO 4166918 12.50

Expansion Tank Hose Clamps

61-62 Tank to Water Pump SI 4166920 2.95
61-72 Tank to Radiator
NOS Wittek Auto-23 SI 4166921 8.50
73-82 Tank to Radiator FL 4166922 1.50
63-67 Tank to T-Pipe SI 4166920 2.95

Bypass Hose Clamps

63-67 327 Bypass with Hiper 327 340, 350, 360, 365, 375 HP SI 4166930 2.95
65-74 396, 427, 454 Bypass
NOS Wittek Auto-39 SI 4166931 15.00
Late 67 427 Bypass
NOS Wittek GM-38 TO 4166918 12.50

Fuel Hose Clamps

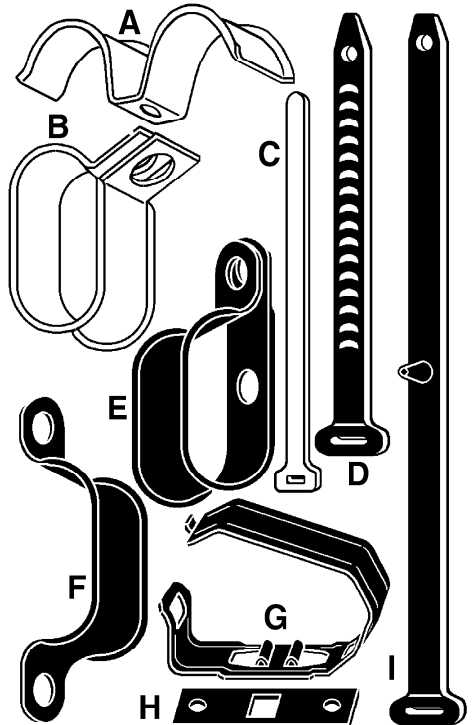
56-62 Tank Filler Neck
OEM Slotted Band Style SI 4166940 10.00
57-62 Tank Vent Hose RW 4166941 2.00
60-62 24 Gal Neck **NOS Wittek** TO 4166906 22.50
61-64 Frame Fuel Line
NOS Wittek stainless SG-22 TO 4166943 15.00
65-82 Frame Fuel Line FL 4166922 1.50
64-65 Holley Carb Fuel FL 4166944 1.50
67-69 3x2 Flame Arrestor or
68-72 Crankcase Vent
Repro Wittek GN-48 TO 4166946 6.95
68-82 Fuel Pump Vapor Hose or
68-69 1x4 Fuel Filter FW 4166947 1.50
78-82 Frame Fuel Line FW 4166954 1.50

PCV Hose Clamps

61-62 Carb to PCV Valve RPO-242 RW 4166950 2.50
64-69 Carb to PCV Valve FL 4166951 1.50
70-82 Carb to PCV Valve FL 4166922 1.50

Miscellaneous Clamps

58-65 F.I. Air Cleaner Hose replacement or
56-62 Fresh Air Hose SI 4166957 8.00
63-67 Air Conditioning Duct Underdash Flex Hose
NOS Wittek Tower TO 4166960 22.50
63-68 Air Conditioning Freon Hose
Stainless with locating arm SI 4166961 5.50
68-82 Air Conditioning or Heater Vacuum Control Hoses FL 4166981 2.50
63-67 AC Evaporator Drain Hose
NOS Wittek stainless SG-22 TO 4166943 15.00
72-82 Automatic Transmission Hoses
NOS Wittek Auto-23 SI 4166921 8.50
76-81 Choke Hose
NOS Wittek GM-56 TO 4166973 14.50
Early 63 Power Brake Hose RW 4166950 2.50
Late 63-82 Power Brake Hose FL 4166951 1.50
70-82 Evaporative Canister or
77-82 Cruise Control FL 4166982 3.50
66-82 Smog Hose Clamp
NOS Wittek Tower 1 1/16" TO 4166932 12.50
NOS Wittek Tower 1 1/8" TO 4166934 12.50
NOS Wittek Tower 1 1/4" TO 4166936 12.50



F 63-68 Heater and/or Freon Hose Bracket
Authentic steel with rolled edge to prevent damage to hoses. With 2 indented hex washer head bolts & nuts with captive star washers. Mounts to the fender skirt. Paint black as required. 327 with AC 1 reqd; 427 exc AC 2 reqd; 427 with AC 2 reqd; 8848118 13.50
G 65-80 Snap On Heater Hose Bracket OEM not repro
Authentic black plating on this snap together hose retainer 65-79 exc AC 2 reqd; (Keep a spare; they are fragile) 68 with AC 2 reqd; 69-80 with AC 1 reqd 8848952 6.50
H 68-80 Fender Skirt Bracket & 2 OEM Rivets
Mounts the above retainer to the RH inner fender skirt & to non-AC heater boxes. 1-2 reqd 8848955 4.50
I 74 454 AC Heater Hose Tie Straps
Molded black plastic. 2 reqd. 2259214 7.50