

**68-79 Heater Box Seal Kit except AC**

Seals Outer Box & Inner Box  
Improves Efficiency of your Heater  
Helps Solve Firewall Drafts & Leaks

**Standard** Includes parts **A,B,C,D,E,F** all die cut for a perfect fit, plus 30 semi-tubular Aluminum rivets. This kit includes all the gaskets required to seal both the inner & outer boxes, and also includes detailed step by step installation instructions. None of these parts are used on any models that have Air Conditioning. 8844230 **24.50**

**Deluxe** with **A,B,C,D,E,F** as above plus with **PSA** mounted on parts **B,C,D** 8844229 **29.50**

**Individual Heater Seals**

- A** Outer Box Firewall Seal 8844231 **15.00**
- B** Inner Box Firewall Seal 8844232 **10.00**
- C** Hot Air Shut Off Seal 8844233 **2.75**
- D** Cold Air Shut Off Seal 8844234 **2.75**
- E** Defroster Shut Off Seal 8846114 **2.75**
- F** Dual Core Pipe Seal 8844236 **5.50**
- G** Defroster Duct Seal fits all 68-79; however this part was only used on 68-69 models 8844238 **4.50**

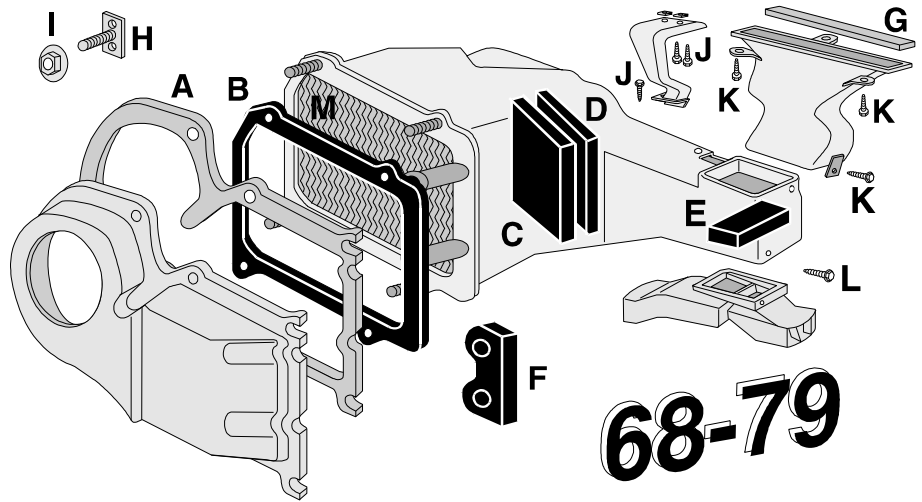
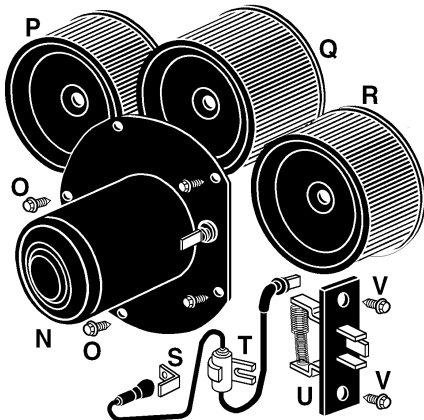
**We tell the Truth, we don't Monkey around**

DocRebuild created this kit and even added Item "B" our inner firewall seal that was never ever used on any Vette by GM. Ten years ago I added it to aid sealing the inner box to the firewall. After we cut off all sales to Zip, they began selling a kit with the same seal. I surreptitiously purchased their - and placed it on top of the one I designed. It was the same. I wonder where they came up with this idea? So much for their claim of conducting research and collecting factory samples. David Walker method of reasearch is to try and copy our parts. They don't even know what's factory as what's not. **"Sometimes, only the name is the same."**

**Heater Box, Mounting & Core**

- H** 68-79 Firewall "T" Bolt + 2 Aluminum Mounting Rivets Mounts heater to firewall. Use 1 in the center of the firewall; 2 on the RH side. 8846118 **13.00**
- I** 68-79 Firewall Box Mounting Nut 7 Piece Set Authentic speed style; do not over tighten, or you may crack the boxes. **Does 1 car.** 8846116 **2.95**
- J** 68-79 Center Outlet Duct 5 Piece Mounting Kit Includes 2 pan & 1 indented hex washer head screw, plus 2 U-nuts. **Does 1 car.** 8848216 **2.75**
- K** 68-79 Defroster Duct 3 Piece Mounting Kit Includes 3 indented hex washer head screws. **Does 1 car.** 8848146 **2.00**
- L** 68-79 Lower "Y" Duct Mounting Screw indented hex washer head screw 8848148 **1.00**
- 68-77 Defroster Grill rectangular molded plastic trim, mounts in upper dash pad. **NOS GM** 9222400 **43.50**
- China** repro of above part 9222400 **29.95**
- 68-77 Grill Mt Screw 4 Piece Set 8846117 **2.00**
- M** 68-79 Heater Core except AC 8860205 **69.00**
- N** 68-79 Delco Blower Motor except AC 8862203 **78.50**

**Blower Motor & Fan**



**68-79**

- O** 68-79 Blower Motor Mounting Screw 5 Piece Set **Does 1 car.** 8862202 **2.50**
- P** 68-71 Delco Blower Motor Fan 8862210 **25.00**
- Q** 72-Early 77 Delco Blwr Mtr Fan NOS 8862211 **29.50**
- R** Late 77-79 Delco Blower Motor Fan 8862212 **22.50**

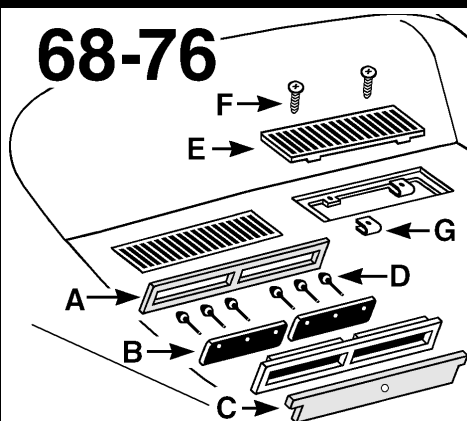
**How to Tell Early 77 from Late 77**  
**Early 77** uses a 2 3/4" Thick fan; **Late 77** use a 3 5/8" Thick fan. Both model fans are 5 3/4" in diameter.

**Capacitor & Resistor**

- S** 68-79 Blower Motor Ground Terminal This Brass 90 degree terminal connects the wiring harness to the blower motor. 8862200 **4.95**
- T** 68-79 Blower Motor Capacitor Delco Helps remove radio static. An excellent replacement that requires reusing your factory capacitors male and female wire terminal ends. 9220398 **57.50**
- U** 68-79 Blower Motor Resistor Regulates Hi-Low motor speed. 8850140 **9.95**
- 68-79 Blower Resistor Harness Connector Molded plastic with 3 wire leads. 8850143 **7.00**
- V** 68-79 Resistor Mounting Screws Pair 8850141 **1.95**

**68-76 Astro Vent Rear Door Rebuild Kits**

**68-76**



**These Die Cut Parts Include:**

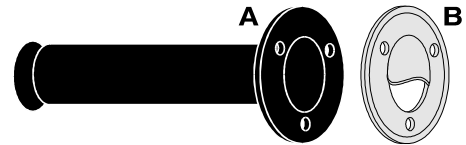
- A** 2 Door Frame Seals with Self Adhesive Backing
- B** 4 Air Valve Seals of Black Sponge Rubber
- C** 2 Rear Vent Door Seals of Poly Foam

**Model Includes Pieces**

- 68 All Models **A+B** 6 Pieces 8844133 **13.50**
- 69-76 except AC **A+B+C** 8 Pieces 8844134 **19.00**
- 69-76 with AC **A** only 2 Pieces 8844135 **12.00**
- D** 68-76 Vent Door Valve Fastener 12 Piece Set Use 3 fasteners per valve. **NOS** 8844138 **27.50**
- Replacement** 12 Piece Set. 8844136 **4.50**

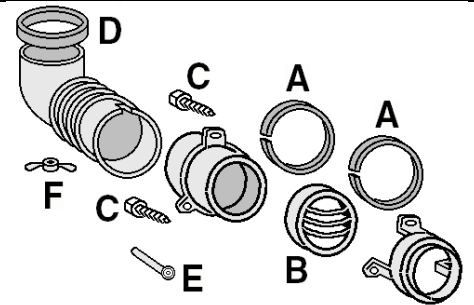
- E** 68-76 Vent Grill 2 reqd. **China** 8844139 **26.50** Ea
- E** 68-76 Vent Grill 2 reqd. **USA** 8844140 **33.25** Ea
- 68-76 Rear Vent Grill Mounting Hardware:
- F** Grill Mounting Screw 8 Piece Set 8844141 **3.50** St
- G** Grill Mounting U-Nut 8 Piece Set 8844142 **4.40** St
- Vent Door Frame to Body 12 Piece Mounting Kit Includes 6 U-Nuts & 6 Pan Head Mounting Screws. **Does 1 car.** 8848204 **6.00** St

**68-76 Coupe Drain Hose**



- A** 68-76 Coupe Rear Vent Drain Hose Molded rubber, 2 reqd 8844145 **19.95**
- B** Drain Hose Stamped Steel Shields **Select from**
- 68-76 Coupe Shields Pair 8844165 **25.50**
- 68-70 Convertible Shields Pair 8844167 **25.50**
- 68-76 Shield Mounting Rivet 6 Piece Set **Does 1 car.** 8844146 **2.50**
- Drain Hose Clamp 2 reqd 8844147 **8.50**

**68-77 Astro Vent Side Ducts**



- A** 68-77 Deflector Ball Felt Seal 4 Piece Set Solves loose, sloppy deflector balls that will not stay aimed. **Does 1 car.** 8846429 **4.45**
- B** 68-77 Deflector Chrome Ball **Select from...**
- NOS** Ball 2 reqd 8844151 **0.00**
- Repro** Ball 2 reqd 8851116 **19.95**
- C** 68-77 Side Deflector Ball 6 Piece Mounting Kit mounts the deflector ball adapter & retainer to the back of the dash. **Does 1 car.** 8848152 **2.95**
- D** 68-77 Astro Vent Outlet Fresh Air Duct Seal Pair Die cut poly foam, seals the ducts to firewall plenum, **68 uses 2 pair; 69-77 use 1 pair.** 8844150 **3.40**
- E** 68-77 Deflector Control Knob push-pull knob threaded on inside 2 reqd. 8844137 **6.00**
- F** 68-77 Deflector Elbow 2 Piece Mounting Kit mounts elbow ducts to the plenum straps. **Does 1 car.** 8848202 **2.50**