

**56-62 OEM Fresh Air Hose**

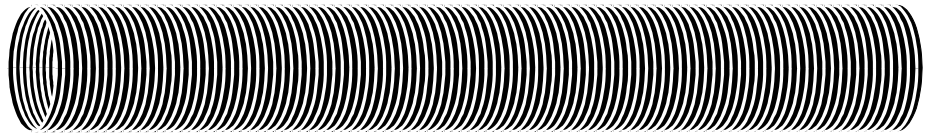
This is the replica black hose with cloth covering & spiral wire support. We purchased it direct from the General's own supplier. Ours is pre-cut to the exact length, no other trimming is necessary. **OEM** and it's not a plastic hose replacement. 8852119 29.95

**56-62 Fresh Air Hose Clamp**  
Replacement side screw, 2 reqd. 4166957 8.00

**56-62 Heater Box**

**56-62 Heater Box Seal Rebuild Kits** Die cut sponge rubber will reseal inner boxes. Restore the efficiency of your heater system & helps solve annoying firewall drafts & rain water leaks. **Select from**

**4 Piece Kit with A+2B+C** 8844500 12.75  
**5 Piece Kit with A+2B+C+D** 8844106 15.00



**53-62 Defroster**

**H 53-62 Defroster Hoses OEM** not a plastic repro This is the replica black hose with cloth covering and spiral wire support. We purchased it direct from the General's own supplier. 8852115 24.75

**I 58-62 Defroster Boxes Select from two styles...**  
**Pressboard Defroster Box** Authentic dense board with the cable mounting bracket, retainer & screw. Defroster hose bracket not included 8852618 129.50

**58-62 Steel Defroster Box**  
Replacement steel defroster box looks & fits just like factory. Includes cable mounting bracket, retainer & screw & also includes the drivers side the defroster hose mtg. bracket. 8852118 49.50

**J 56-62 Defroster Box 7 Piece Mounting Kit** Includes 4 screws & 3 washers to mounts the defroster box to the blower motor case & the hose mtg. Bracket. 8852116 2.95

**K 56-62 Defroster Hose Mounting Bracket**  
Retains drivers side hose. Not included with the pressboard defroster boxes. 8852117 12.50

**L 56-57 Defroster Box** authentic Press Board composition as factory. 8852105 177.00

**Heater Switch + Water Valve**

**Heater Blower Control Switch with Cable & Resistor**

56-57 Heater Switch Assembly 8841570 154.50

58-62 Heater Switch Assembly 8841571 144.50

**56-57 Heater Hot Water Control Valve and Mount**  
Accurate cast Bronze valve with modern seal. Looks factory, but seals better inside. 8850108 229.00

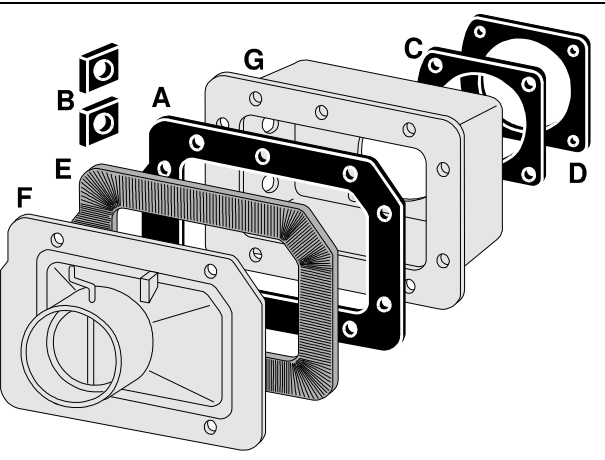
**S 58-62 Heater Hot Water Control Valve**  
Accurate Copper/Steel reproduction looks factory, but lacks capillary sensor tube since that role is controlled by the cable lever as OEM. Transfer your factory tube for appearance, or don't bother - since the tube has no function. It's simply superfluous. 8850110 56.50

**T 58-62 Heater Control Valve Elbow Hose**  
This tight radius 90 degree molded hose connects the heater core to the valve. 8850115 9.00

**U 58-62 Heater Core Hose** Connects the heater core to the elbow pipe. 8846003 3.00

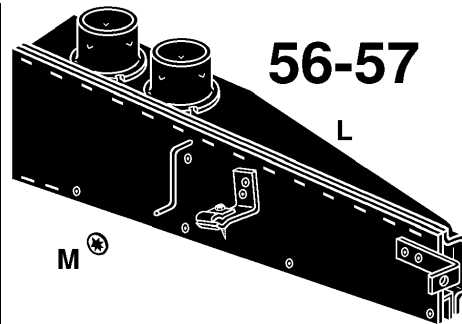
**56-57 Control Valve 2 Piece Hose Set**  
These connect the heater control valve to the heater core and to the elbow pipe 8846004 4.50

**V 58-62 Copper Elbow Pipe**  
Connects the 5/8" & 3/4" hoses 8846007 20.00

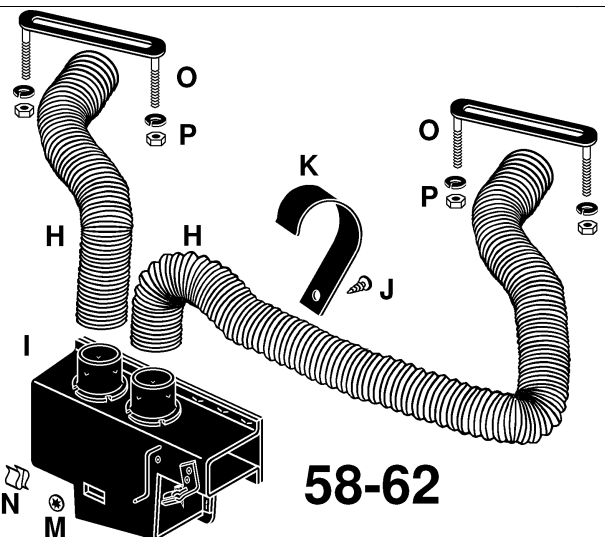


**Individual Heater Box Seals**

- A Inner Firewall Box Seal** 8846101 8.50
- B Core Pipe Seals Pair** 8846102 3.75
- C Core to Fan Case Seal** 8846103 5.25
- D Blower Motor Case Seal** 8846104 5.25
- E Outer Firewall Core Cover Sealer**  
Authentic putty type material. 8858130 6.95
- F 58-62 Outer Heater Box Match** molded fiberglass, smooth on both sides includes stainless flapper door with the felt seal installed. 8841400 159.95
- G 58-62 Inner Core Cover Box Hand Laid Fiberglass**  
smooth on out side only. 8841401 104.50
- 56-62 Heater Core USA** 8860201 149.50
- 56-62 Heater Core Imported** 8860301 109.00
- 58-62 Outer Heater Box 12 Piece Mounting Kit**  
Includes 4 nuts, 4 lock washers & 4 flat washers. **Does 1 car.** 8841398 3.00



**M 53-62 Control Cable End Mounting Clips** Pair  
Mounts the ends of the control cables to defroster box control arm & the hot water valve control arm. Includes two of these push-on retainers. 8852114 2.75



**N Defroster Cable "S" Clip** mounts the cable to the box 8852113 2.50

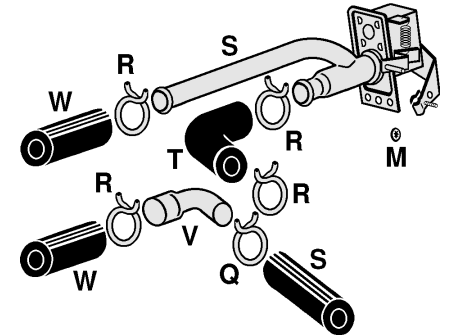
**O Defroster Bezels 2 reqd:**  
**53-57 Chrome Bezel** 8852110 12.50  
**58-62 Primered Bezel**  
Paint as reqd. 8852111 11.00

**P 53-62 Defroster Bezel 8 Piece Mount Kit** with 4 nuts & 4 lock washers **Does 1 car.** 8852109 2.25

**56-62 Heater Cable Casing Mount Clip** use 1 to mount the defroster box cable and 1 to mount the heater control valve cable **NOS GM** 1224839 9.75

**Heater Hose Corbin Wire Clamps**

Authentic Corbin Wire Style  
**Q 5/8" Yellow Hose Clamp**  
**56-57 8 reqd; 58-62 4 reqd**  
4166915 1.25  
**R 3/4" Orange Hose Clamp**  
**58-62 4 reqd.** 4166917 1.25



**W Ribbed Heater Hose Kits**  
**see Page 46 for the Heater Hose illustrations.**

53-Early 58 Heater Hose 5/8" Kit 8845107 42.50

Late 58-60 Heater Hose Kit  
Includes 5/8" & 3/4" I.D. hoses. 8845108 41.50

61-62 Heater Hose Kit  
Includes 5/8 & 3/4 I.D. hoses. 8845109 42.50

**Heater Hose Firewall Seals**

**X 56-62 Heater Firewall Seal** Die cut sponge rubber seals the 56-57 control valve to the firewall or the 58-62 heater hose elbow pipe to firewall. Pair 8846107 2.95

**Molded Rubber Firewall Hose Grommet**

**Y 58-62 Heater Hose Grommet** 8846006 7.15

**Z 56-57 Heater Hose Grommet** 8846005 7.15



**How to Repair Broken Heater Cables**

**53-62 Bowen "Push Pull" Cable Repair Kit**  
Includes 4 foot piece of authentic diameter tempered steel cable and instructions. Requires brazing, grinding and filing. 8852204 0.00

The following list indicate the lengths required on some of these bowen cables.  
56-57 Air Inlet Cable 31 35/64"  
58-60 Air Inlet, Heater & Defroster Cable 35 13/16"  
61-62 Heater, Defroster & Temp Cable 36"  
56-57 Air Inlet Cable 31 11/16"