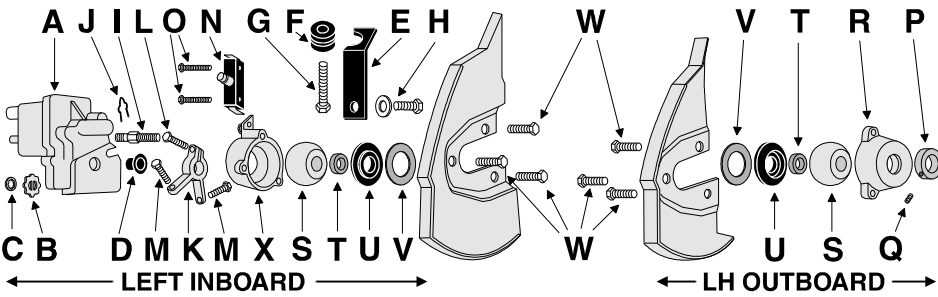
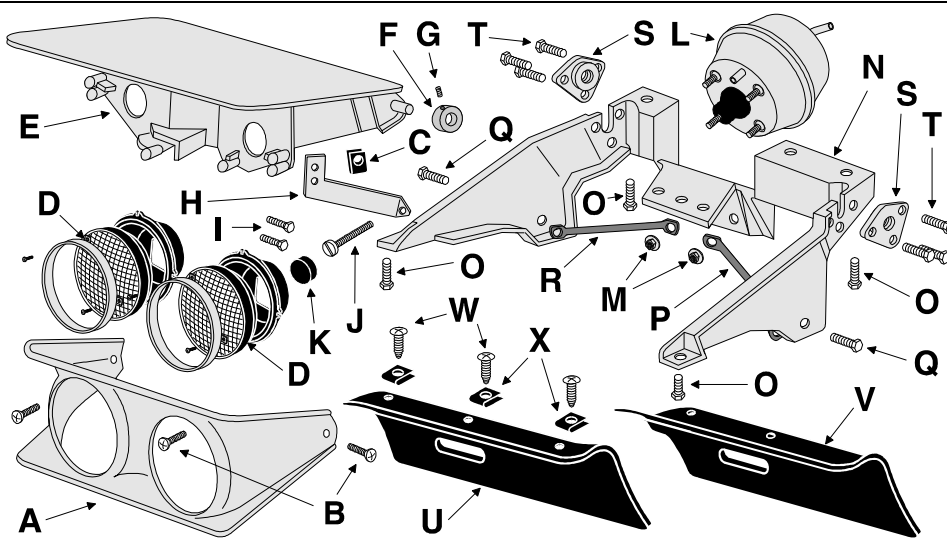


## 63-67 HEAD LAMP MOTOR & HOUSING MOUNTING



**A** 63-67 Complete Head Lamp Motor Assembly with Ends **NOT RETURNABLE if Factory Seal Broken**  
**LH+RH Lamp Motors New Pair Repto** 2760104 **589.00**  
**Repto LH** 2760105 **349.00** **RH** 2760106 **349.00**  
**LH Head Lamp Motor - NOS Delco** 2760097 **650.00**  
**RH Head Lamp Motor - NOS Delco** 2760098 **650.00**  
**Motor Rebuild Service:** Standard or Deluxe with Replating  
 Price **VARIES**, quoted before **START** 2760100 **149.00**  
 Aluminum Drive **Gear Repto** 2760090 **25.00**  
 Aluminum Drive **Gear NOS** 2760099 **56.00**  
 Head Lamp Motor Circuit **Breaker** 2485116 **13.50**  
**B** Thumb Wheel **2 reqd** use to open head lamps manually  
**Repto** 2765304 **6.50** **NOS** 2760204 **15.00**  
**C** Thumb Wheel Retainers Pair 2760205 **1.50**

**D** "Top Hat" Plastic Motor Bushing Pair  
 Mounts between motor & pivot 2760095 **4.50**  
**E** Motor Mtg Bracket **2 reqd Repto** 2760102 **7.50**  
**E** Motor Mtg Bracket **2 reqd NOS** 2760208 **20.00**  
**F** Mounting Bracket Grommet mounts the bracket to the header. **2 reqd** 2760207 **3.95**  
**G** Grommet Mounting Screw Pair 2760209 **2.00**  
**H** Motor to Bracket Mounting **4 Piece Set** Does 1 car with 2 Screws & 2 Lock Washers. 2725154 **2.00**  
**I** Authentic Steel Support Stud **2 reqd** 2760210 **10.75**  
**J** Stud Hairpin Clip Pair Does 1 car 2760212 **2.00**  
**K** Y-Shaped Stop **2 reqd Repto** 2765407 **25.50**  
**K** Y-Shaped Stop **2 reqd NOS** 2765404 **40.00**  
**L** Y-Stop Mounting Screws Pair 2725150 **1.75**



### 68-82 Head Lamp Housing

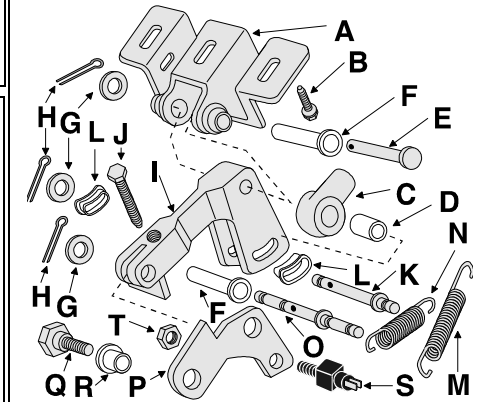
*NOTE: these are replacement for 68*

**A** 68-82 Head Lamp Bezel  
 68-82 **GM** LH 2722601 **RH** 2722602 **68.50**  
 68-82 **Repto** LH 2722307 **RH** 2722308 **59.00**  
**B** Bezel Mounting **8 Piece Screw Set** 2722603 **3.50**  
**C** Bezel Mounting **4 Piece U-Nut Set** 2722604 **2.80**  
**D** See 58-82 Bulb Mounting See the previous page.  
**E** LH Head Lamp Door **NOS** 2770301 **249.00**  
**RH** Head Lamp Door **NOS** 2770302 **249.00**  
**LH+RH** Head Lamp Doors **repto** 2770107 **459.00**  
**F** Bearing Collar **4 reqd Repto** 2775206 **4.50**  
**F** Bearing Collar **4 reqd NOS** 2775216 **8.50**  
**G** Collar Set **Screw 4 Piece Set** 2775217 **2.95**  
 68-69 **LH** or **RH** Stop **NOS** 2775220 **45.00**  
**H** 70-82 **LH** Cover Stop **NOS** 2775221 **26.25**  
 70-82 **RH** Cover Stop **NOS** 2775222 **26.25**  
**I** Stop Mounting Bolts Pair 2775212 **2.25**  
**J** Bumper Mounting **Screw & Nut** Pair 2775227 **4.00**  
**K** Housing Rubber Bumpers Pair 2775225 **3.00**  
**L** Head Lamp Actuator Quality Yellow Plating & includes Rolling Grommet & Rear Accordion Boot.  
 USA 68-79 **LH** or 80-82 **RH** 2777114 **215.00**  
 USA 68-79 **RH** or 80-82 **LH** 2777115 **205.00**

**L** Head Lamp Actuator  
**Foreign LH** 2777664 **RH** 2777665 **89.00**  
**M** Actuator Mount Flanged Nut **8 Pieces** 2775224 **3.00**  
**N** Head Lamp Support: **Select from...**  
 68-74 **NOS** LH 2775251 **RH** 2775252 **260.00**  
 68-74 **Repto** LH 2775304 **RH** 2775305 **220.00**  
 75-82 **NOS** LH 2775253 **RH** 2775254 **189.00**  
 75-82 **Repto** LH 2775306 **RH** 2775307 **160.00**  
**O** Support Mounting **Screw 10 Piece Set** 2775230 **4.50**  
**P** Actuator **LH** Outer Rod **NOS** 2775237 **20.00**  
 Actuator **RH** Outer Rod **NOS** 2775238 **0.00**  
**Q** Support Rod Mounting **Screw 2 Piece Set**  
 4 sets reqd 2775240 **1.95**  
**R** Actuator **LH** Inner Rod **NOS** 2775267 **Disc**  
 Actuator **RH** Inner Rod **NOS** 2775268 **Disc**  
**S** OEM Bearing with Retainer **4 reqd** 2775290 **9.50**  
**Bearing 4 Piece Set** of the Above 2775299 **30.00**  
**T** Brg Mounting **Screw 12 Piece Set** 2775272 **5.00**  
**Molded Plastic Head Lamp Shields** - Keeps the bulbs clean & protected when they are in the closed position.  
**U** 68-Early 69 Shields **not notched** 2775246 **33.90**  
**V** Late 69-72 Shields **with a notch** 2775247 **33.90**  
 68-82 Shield Mounting Hardware **Does 1 car**  
**W** Shield **Screw 6 Piece Set** 2775232 **2.95**  
**X** Shield **U-Nut 6 Piece Set** 2775233 **2.95**

**M** Y-Stop Adjusting Screw **4 Piece Set** use to adjust open & closed positions. Does 1 car 2765405 **3.50**  
**N** Micro Switch **2 reqd NOS** 2760200 **12.00**  
**N** Micro Switch **2 reqd Repto** 2760103 **9.75**  
**O** Micro Switch Mount **Screw 4 Piece Set** 2725151 **2.45**  
**P** Housing **Spacer** adjusts housing from side to side in the nose. **2 reqd** 2765406 **6.50**  
**Q** Spacer Mounting **Allen Screws** Pair 2725110 **2.00**  
**R** Outer Support **Cup 2 reqd** 2765303 **42.40**  
**S** OEM Steel End **Bearing** proper design, **Not a Plastic Replacement**; lubricate with heavy grease and these will never seize. **4 reqd** 2765101 **6.95**  
**Bearing 4 Piece Set** of Above 2765199 **24.00**  
**T** 63-67 Head Lamp **Bearing Seal 4 Piece Set** Die cut thick gray industrial felt, a full 1/2 inch thick just like factory. Does 1 car. 2765104 **3.50**  
**U** Rubber End **Cup 4 reqd** 2765102 **5.00**  
**V** Cup **Washer 4 reqd** 2765103 **4.00**  
**TUV** Cup+Washer **12 Pc Set** Does 1 car 2765100 **23.50**  
**W** Housing Mounting **Screws 6 Piece Set**  
 Mounts housing to end plate in the nose; Allen head style does 1 housing. **2 reqd** 2725104 **5.75**  
**X** 63-67 **LH** Inner Support **Cup NOS** 2765301 **42.50**  
 63-67 **RH** Inner Support **Cup NOS** 2765302 **42.50**

## 68-82 Head Lamp Linkage



**A** 68-82 Actuator **Bracket 2 reqd** 2775270 **0.00**  
**B** Act Mounting **Bracket Screw 6 Pieces** 2775266 **3.50**  
**C** Act Clevis **Rod 2 reqd Repto** 2775285 **12.50**  
**C** Act Clevis **Rod 2 reqd NOS** 2775284 **24.50**  
**D** Act Rod Sleeve **Bushing Pair** 2775286 **4.00**  
**E** Act to Rear Link **Pin 2 reqd Repto** 2775282 **6.00**  
**E** Act to Rear Link **Pin 2 reqd NOS** 2775280 **9.50**  
**F** Link **Pin Bushing 4 Piece Set** 2775274 **8.70**  
**G** Flat **Washer 6 Piece Set** 2775282 **2.00**  
**H** Clevis **Cotter Pin 6 Piece Set** 2775276 **2.00**  
**I** Rr Link **Arm** (not threaded) **2 reqd Repto** 2775205 **27.95**  
**I** Rr Link **Arm** (not threaded) **2 reqd NOS** 2775256 **32.50**  
**J** 68-82 Link **Adjust Screw 2 reqd Repto** 2775260 **9.50**  
**J** 78-82 **Adjust Screw 2 reqd NOS** 2775262 **12.50**  
**K** Rear Link **Pin 2 reqd Repto** 2775201 **9.50**  
**K** Rear Link **Pin 2 reqd NOS** 2775244 **14.50**  
**L** Link **Oval Bushing 4 reqd** 2775243 **3.00**  
**M** Housing **Spring 4 reqd** 2775258 **4.25**  
**N** Link **Spring 4 reqd** 2775249 **4.25**  
**M+N** **SS Spring 8 Piece Set Repto** 2775203 **32.00**  
**O** Front **Lever Pin 2 reqd** 2775250 **10.00**  
**P** Front **Link 2 reqd Repto** 2775204 **12.00**  
**P** Front **Link 2 reqd NOS** 2775264 **20.00**  
**Q** Front **Link Screw 2 reqd Repto** 2775302 **6.00**  
**Q** Front **Link Screw 2 reqd NOS** 2775248 **8.00**  
**R** Front **Link Bushing Pair** 2775242 **4.00**  
**S** Head Lamp Door **Opening Warning Push Bottom Switch**  
 Black plastic **2 terminals, 2 reqd** 2485206 **24.50**  
**S** **Replacement Foreign Switch 2 reqd** 2485114 **23.00**  
**T** Warning **Switch Mounting Jamb Nuts Pr** 2775288 **2.40**

## 68-82 Bushing 12 Piece Kit

Includes: **2 pieces D, 4 pieces F, 4 pieces L** and **2 pieces R. Does 1 car.** 2775333 **26.25** **Kt**