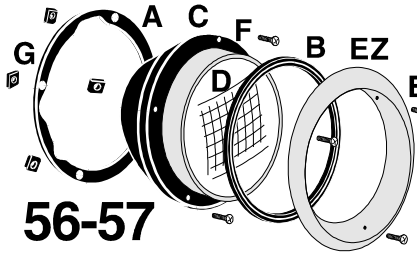


53-57 Head Lamp Housing

A 53-57 Head Lamp Housing Gasket
Thick die cut rubber seals the fiberglass body to the housing. Helps prevent water damage to the buckets & wiring harness. **2 reqd.** 2722202 6.00

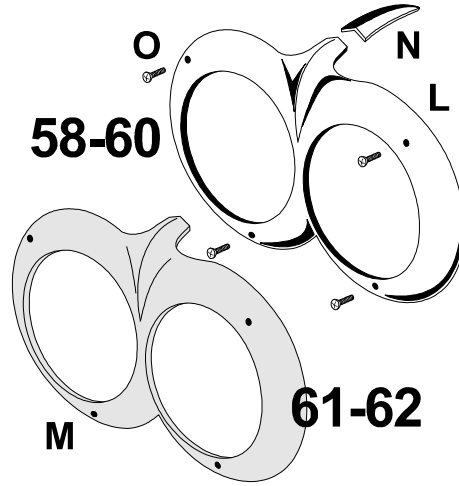
B 56-57 Head Lamp Rim Seal
Authentic "V" shaped rubber seal that mounts behind the chrome rim. **2 reqd.** Limited # 2722097 9.50
56-57 Head Lamp Bezel Mounting Bracket 3 Piece Set
Does 1 lamp. **2 reqd.** 2722200 19.95



56-57

C 55-57 Rear Housing 2722201 79.00
D 55-57 Head Lamp Bulbs *Select from..*
"Guide" Sealed Beam **2 reqd.** 2722203 12.00
"T-3" Reproduction Pair 2775335 94.50
56-57 Retaining Ring **2 reqd.** 2722204 40.00
56-57 Head Lamp Ring Mounting Screw
6 Piece Set Does 1 car. 2722205 2.50
EZ Chrome Bezel **2 reqd.** 2722199 98.50
E 56-57 Bezel Mounting Screw **6 Pieces** 2722206 2.25
56-57 Head Lamp Housing to Body Mounting:
F **6 Piece Screw Set Does 1 car** 2722208 2.50
G **6 Piece U-Nut Set Does 1 car** 2722207 3.00
53-57 Head Lamp Housing Grommet
Molded rubber, **2 reqd.** 2722099 6.50

58-62 Head Lamp Housing

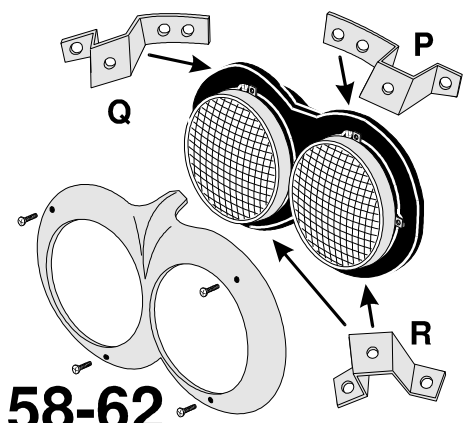


58-62 Head Lamp Housing Sub Body with brackets, springs & adjusters (Save on a pair 185.00) 2722309 99.50
58-62 Head Lamp Housing to Body Mounting:
8 Piece U-Nut Set Does 1 car 2722404 3.25
8 Piece Screw Set Does 1 car 2722405 2.95
58-62 Housing Grommet **2 reqd** 2722099 6.50
58-60 Chrome Bezel Pair 2722301 130.00
L 58-60 Chrome Bezel **2 reqd.** 2722302 65.50
M 61-62 Primered Bezel NOS 2722401 84.50
M 61-62 Primered Bezel *Repro* **2 reqd** 2722306 65.50
N 61-62 Chrome Bezel Tip **2 reqd.** 2722402 19.95
O 58-62 Bezel Mount Screw **8 Piece Set** 2722403 3.25

58-62 Bezel Mounting Kit

Most often these "stand-off" brackets are rusted out or even completely missing & then there is no way to secure the head lamp bezel to the housing. *At last our solution.*

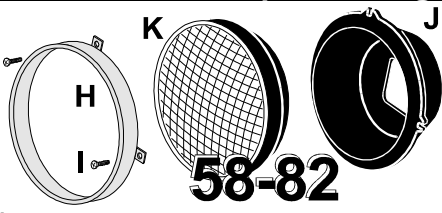
P LH Upper "Stand-Off" Bracket
Use 1 per bucket, use 2 per car. 2722210 4.00
Q RH Upper "Stand-Off" Bracket
Use 1 per bucket, use 2 per car. 2722211 4.00
R Lower "Stand-Off" Bracket
Use 2 per bucket, use 4 per car. 2722212 4.00



58-62

Head Lamp Bezel 32 Piece Mounting Kit
Includes 8 "stand-off" brackets: 2 LH upper, 2 RH upper & 4 lower with a Yellow Chromate corrosion resistant plating finish, plus 16 rivets for attaching the brackets to the head lamp housing & 8 chrome bezel mounting screws.
Does 1 car 2722300 28.50

58-82 Head Lamp Mounting



58-82

H 58-82 Retaining Ring **4 reqd** 2722270 12.00
I 58-82 Ring **8 Piece Screw Set Does 1 car.** 2722275 3.00
J 58-82 Head Lamp Mounting Metal Rear Cup:
Select from: Reproduction NOS
LH Outer Cup 2722160 16.30 2722260 22.50
LH Inner Cup 2722161 16.30 2722261 22.50
RH Outer Cup 2722162 16.30 2722262 22.50
RH Inner Cup 2722163 16.30 2722263 22.50

H+I+J+more 64-82 Cup & Ring Kit with Mount Hardware includes 4 cups, 4 rings with screws, 8 plastic adjusters with screws & 4 tension springs. **Does 1 car.** 2737504 119.50

K Head Lamp Sealed Beam *Delco* (not T-3) **2 reqd**
58-82 Outer Low Beam 2722265 10.25
58-78 Inner High Beam 2722264 10.25
79-82 Inner High Beam 2722266 17.50

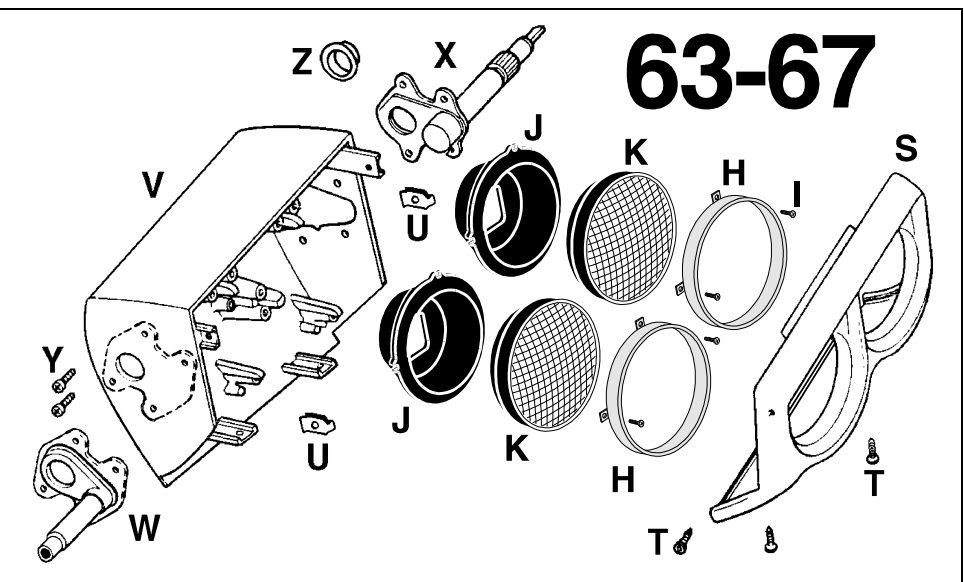
NOTE: 79-82 inner beams are *Halogen*
Head Lamp Reproduction T-3 Sealed Beams
58-59 T-3 Lamp **4 Piece Set** 2775337 124.00
60-67 T-3 Lamp **4 Piece Set** 2775339 119.00
68-71 T-3 Lamp **4 Piece Set** 2775340 119.00

H+I+J+K Head Lamp Capsule all are *disc GM*
Includes retaining ring with screws, head lamp sealed beam (not T-3), plus rear mount cup. *Specify location*
58-82 LH Outer Capsule 2725141 45.00
58-82 LH Inner Capsule 2725142 45.00
58-78 RH Inner Capsule 2725143 65.00
58-78 RH Outer Capsule 2725144 45.00
NOTE: 79-82 Inner Capsules use *Halogen Bulbs*
79-82 LH Inner Capsule 2775207 45.00
79-82 RH Inner Capsule 2775208 45.00

63-67 Head Lamp Housing

S 64-67 LH Lamp Bezel *Repro* 2722531 68.00
64-67 RH Lamp Bezel *Repro* 2722532 68.00
Note: these bezels will not fit 63 fiberglass head lamp hsg.
64-67 LH Lamp Bezel NOS 2722501 75.00
64-67 RH Lamp Bezel NOS 2722502 75.00
T Head Lamp Bezel Mounting Sets **Does 1 car**
63 Early Bezel **4 Piece Set** 2725145 2.50
63 Late Bezel **8 Piece Set** 2725146 3.00
64-67 Bezel **8 Piece Set** 2725147 3.00
U Bezel Mounting U-Nut Sets **Does 1 car**
63 U-Nut **8 Piece Set** 2725139 2.50
64-67 U-Nut **4 Piece Set** 2722604 2.80
63 Only Sub Body to Housing Screw **8 Piece Set Does 1 car.** 2725195 3.00

V 63-67 LH Metal Housing 2770101 227.50
63-67 RH Metal Housing 2770102 227.50
63-67 LH+RH Metal Housing Pair 2770105 454.95
NOTE: the above are replacement for 63 models.
W 64-67 LH Outer Pivot 2765201 58.95
64-67 RH Outer Pivot 2765202 58.95
X 64-67 LH Inner Pivot 2765203 58.95
64-67 RH Inner Pivot 2765204 58.95
W+X Inner & Outer **4 Piece Pivot Set** 2765220 235.00
Y 64-67 Inner & Outer Pivot Mounting **16 Piece Screw Set Does 1 car.** 2725125 3.25
Z 63-67 Housing End Plug **4 Piece Set**
Press-in style Black plastic mounts in the ends of the head lamp housings. Snap these plugs out to access the 3 bolt that mount each housing to the body. **Does 1 car.** 2770103 2.50



63-67