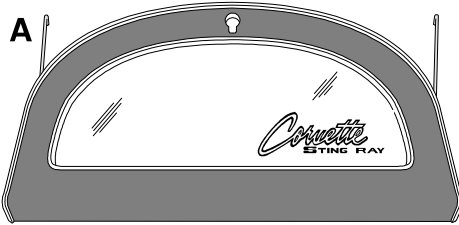
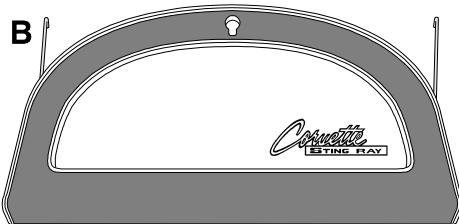


**Glove Box Doors**

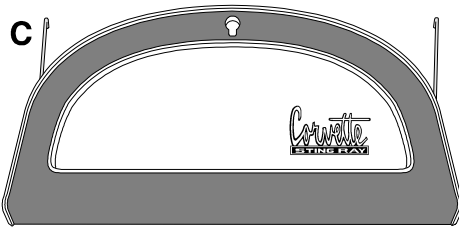
**A** 63 Glove Box Door List is \$ 443.95  
 Similar Acrylic plexiglas design, but much stronger than factory, while maintaining the appearance and integrity of the old design. 9102150 425.00



**B** 64-65 Glove Box Door List is \$ 249.95  
 Repro door with brushed Aluminum face & "Corvette" script emblem. 9102159 252.00

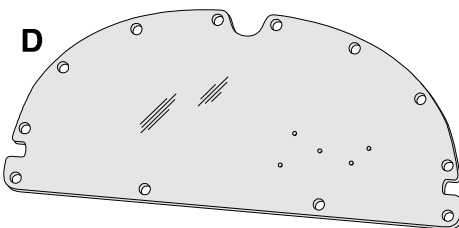


**C** 66-67 Glove Box Door NOS not reproduction  
 Repro door with brushed Aluminum face & "Corvette" script emblem. 9102160 425.00  
 66-67 Glove Box Door Repro 9102152 265.00

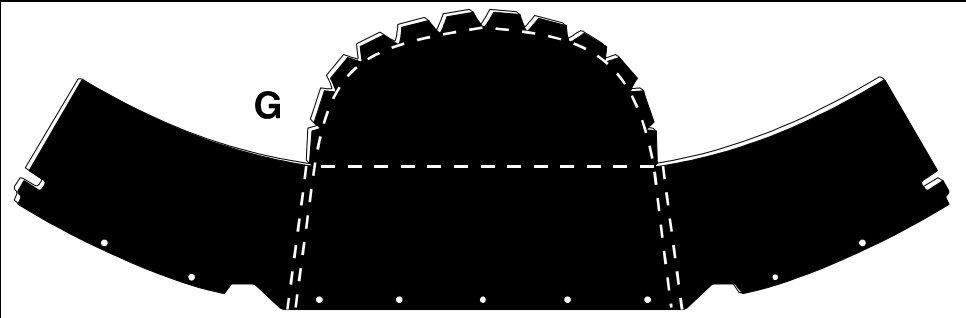


**Glove Box Repair Kit**

**D** 64-67 Glove Box Door Repair Kit  
 Die cut brushed aluminum face, pre punched for the emblem plus mounting hardware & instructions.  
 64-65 Door Repair Kit 9102155 29.50  
 66-67 Door Repair Kit 9102157 29.50

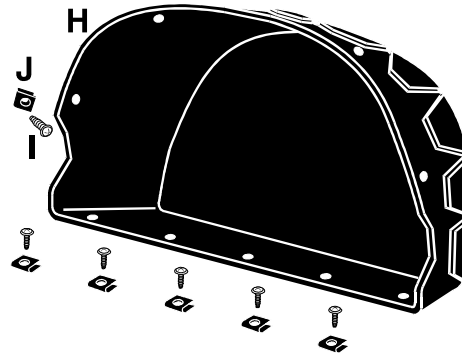


Glove Box Door Emblems  
**E** 64-65 "Corvette" Script Emblems 9102156 38.75  
**F** 66-67 "Corvette" Script Emblems 9102158 38.75



**Glove Box Liner**

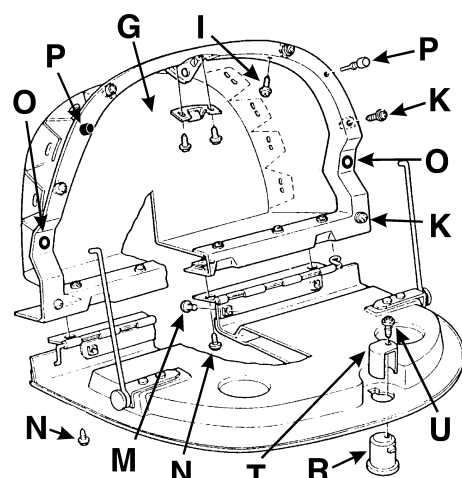
**G** 63-67 Flat Glove Box Liner  
 Die cut heavy board with Black flocked covering, with scored folding lines & pre-punched mounting holes. Requires assembly. UPS O/S 9102129 18.50  
 63-67 Glove Box Liner Staple 22 Piece Set  
 Heavy gauge flat wire staples used to assemble glove box. Not paper staples. 9102168 2.95



**H** 63-67 Assembled Glove Box Liner with Mounting Clips  
 Heavy die cut board, with similar Black flocked face, already stapled together. 9102130 19.50  
 Liner Mounting Hardware:

**I** 9 Piece Screw Set Black plated 9102134 3.45  
**J** 9 Piece U-Nut Set Black plated 9102131 3.50

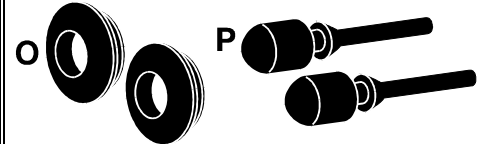
**Glove Box Hardware**



Glove Box Frame To Dash Mtg Hardware  
**K** 6 Piece Screw Set Black Plated 9102161 3.75  
**L** 6 Piece U-Nut Set Black Plated 9102162 3.80  
**M** Glove Box Hinge To Body Mtg 3 Piece Screw Set 9102163 2.20  
**N** Glove Box Hinge To Door 3 Piece Screw Set  
 63 Door To Hinge 3 Piece Set 9102164 2.65  
 64-67 Door To Hinge 3 Piece Set 9102165 2.65  
 63-67 Hinge Spring Screw 9102166 0.90

**O** 63-67 Support Rod Grommet Pair  
 Molded rubber completely round just like factory, without the extra bump on the side found on the replacements. Does 1 car 9102132 4.00

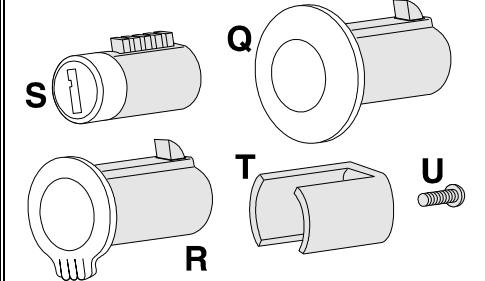
**P** 63-67 Door Rubber Bumpers prevents annoying door rattles. Install with care, or you will "yank the tails off". Wiggle them from side to side as you gently pull them through the holes in the glove box frame. Pair Does 1 car. 9105388 4.00  
 Repro Pair Import 9105388 4.00  
 Not Repro NOS 9102133 8.50



63-67 Glove Box Lamp & Switch  
 Snaps into glove box frame; an orange lead from the dash harness with a bayonet terminal slides into the bulb socket just prior to installing the glove box lamp bulb. 9102140 30.00  
 63-67 Glove Box Bulb 9102141 1.45  
 63-67 Glove Box Bulb Shield 9102146 12.00

**Glove Box Lock**

Glove Box Lock Case Housing  
 Order this part if the spring loaded tab is broken on your housing, then merely transfer your coded lock cylinder & it is not necessary to have a new cylinder coded with keys.  
**Q** 63 Lock Housing NOS 9102144 20.00  
**R** 64-67 Lock Housing NOS 9102145 19.50



**S** 63-67 Uncoded Lock Cylinder 9105351 15.50  
 Keyed Glove Box Locks  
 Include the Case, a Coded Cylinder & matching Key.  
 63 Lock with Round Bezel 1055028 36.50  
 64-66 Lock with Keyhole Bezel 1055029 36.50  
 67 Lock with Keyhole Bezel 1055030 36.50  
**T** 64-67 Lock Retainer 9105356 12.00  
**U** 63-67 Retainer Mounting Screw 1055036 0.90

**56-62 Glove Box**

56-57 Glove Box Lock Catch 9102109 Disc  
 56-62 Glove Box Lock Case 9102110 0.00  
 56-62 Lock Cylinder NOS 9102111 20.00  
 56-62 Coded Glove Box Lock  
 With case, coded cylinder & key. 9102105 39.50  
 56-62 Glove Box Retainer Nut 9102108 7.95  
 58-62 Glove Box Compartment  
 Factory Fiberglass Used 8200244 190.00