

68-82 Rear Fiberglass

Rear Deck Panels

* = These Panels are shipped by Truck. Some of these parts require a Crating Charge.

- A 68-73 Conv Deck Panel * MM 8200664 827.50
- A 74-75 Conv Deck Panel * MM 8200666 827.50
- B 68-75 Deck Lid Front Extensions included with above
LH Ext 8200823 74.50 RH Ext 8200824 74.50
- 68-75 Conv Hinge Support MM 8200825 149.00
- Coupe Rear Roof Panels cover the Rear Deck & surrounds the Rear Window; Shipped by Truck.
- C 68-72 Coupe Deck Panel * HL 8200665 797.50
- C 73-74 Coupe Deck Panel * HL 8200667 827.50
- D 75-77 Coupe Roof Panel * HL 8200820 797.50
- E 78-82 Coupe Roof Panel * MM 8200819 1195.00
- Panel Reinforcement MM 8200821 349.00
- E 78-82 Coupe Roof Panel with the Reinforcement Installed * MM 8200822 1199.00

Stock Rear Fender Panels

All Rear Fender Panels are UPS Oversize =O/S.

These Panels Not for Side Exhaust.

- F 68-69 LH Rear Fender Panel MM 8200600 344.00
- 68-69 RH Rear Fender Panel MM 8200601 344.00
- 68-69 LH Rear Fender Panel HL 8200602 289.00
- 68-69 RH Rear Fender Panel HL 8200603 289.00
- F 70-73 LH Rear Fender Panel MM 8200604 344.00
- 70-73 RH Rear Fender Panel MM 8200605 344.00
- 70-73 LH Rear Fender Panel HL 8200606 289.00
- 70-73 RH Rear Fender Panel HL 8200607 289.00
- G 74-82 LH Rear Fender Panel MM 8200677 349.00
- NOS 74-82 LH Rr Fender Panel 8200800 350.00
- 74-82 RH Rear Fender Panel MM 8200801 349.00

Side Exhaust Rear Fender Panel

These Panels are for Side Exhaust. UPS O/S

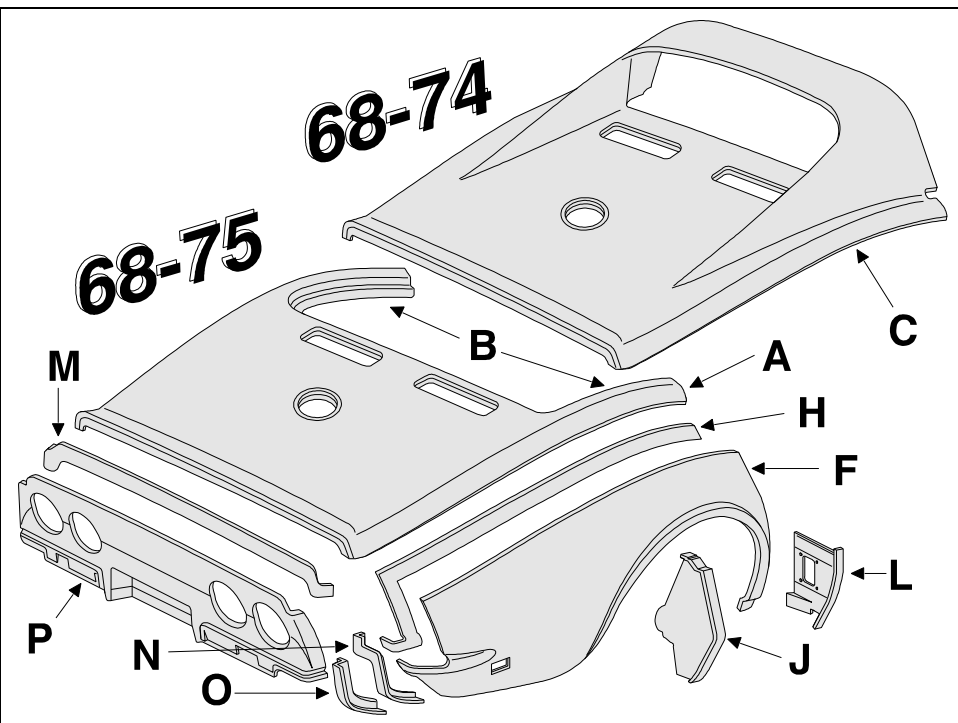
- F 68-69 LH Rear Fender Panel MM 8200626 354.00
- 68-69 RH Rear Fender Panel MM 8200627 354.00
- 70-73 LH Rear Fender Panel HL 8200628 354.00
- 70-73 RH Rear Fender Panel HL 8200629 354.00

Rear Quarter to Rear Deck Bond Strip

Rear Fender Bonding Strips are UPS Oversize =O/S

- H 68-73 LH Quarter B/S MM 8200612 99.50
- 68-73 RH Quarter B/S MM 8200613 99.50
- 68-73 LH Quarter B/S replmnt HL 8200662 75.00
- 68-73 RH Quarter B/S replmnt HL 8200663 75.00
- I 74-82 LH Quarter B/S MM 8200804 89.00
- 74-82 RH Quarter B/S MM 8200805 89.00
- 74-82 LH Quarter B/S replmnt HL 8200678 69.50
- 74-82 RH Quarter B/S replmnt HL 8200679 69.50

See Page 191 for Fiberglass Key



Rear Quarter Splash Panel

These Panels mount behind the Rear Wheel.

- J 68-69 LH Splash Panel MM 8200620 79.50
- 68-69 RH Splash Panel MM 8200621 79.50
- J 70-73 LH Splash Panel MM 8200622 79.50
- 70-73 RH Splash Panel MM 8200623 79.50
- LH below may require work to mount power antenna.
- K 74-82 LH Splash Panel MM ? 8200680 69.50
- K 74-82 LH Splash Panel NOS ? 8200814 85.00
- 74-82 RH Splash Panel MM 8200815 69.00

Front Wheel House Panel

These Bond to Under Body Filler Panel & include the Number 3 Body Mount Access Opening.

- L 68-82 LH Front Panel MM 8200810 89.50
- 68-82 RH Front Panel MM 8200811 89.50

Tail Lamp Panel Bonding Strips

- M 68-73 Tail Lamp Panel Horizontal Bonding Strip to Rear Deck Panel. UPS O/S MM 8200634 79.50

Vertical Bonding Strips without Side Exhaust

- N 68-69 LH Vertical B/S MM 8200636 57.50

- 68-69 RH Vertical B/S MM 8200637 57.50
- N 70-73 LH Vertical B/S MM 8200638 57.50
- 70-73 RH Vertical B/S MM 8200639 57.50

Vertical Bonding Strips with Side Exhaust

- O 68-73 LH Vertical B/S MM 8200642 52.50
- 68-73 RH Vertical B/S MM 8200643 52.50

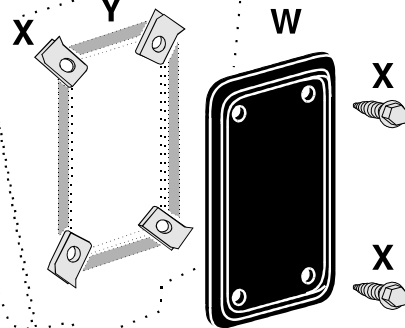
Tail Lamp Panel

All Tail Lamp Panels are UPS Oversize = O/S.

- P 68-73 Tail Lamp Panel MM 8200630 350.00
- HL 8200631 289.00

63-82 Rear Body Mount Access Cover Plate

W 63-82 Cover Plate
Located in the wheel well in front of rear wheels. These are often rusted, eroded from road debris. Unlike others these are die stamped with the raised reinforcing rib & painted black. 2 reqd. 9023145 9.50



W+X 63-82 Access Plate 18 Piece Mount Kit
Includes 2 of the above access plates, plus 8 U-nuts with 8 indented hex head sheet metal screws. Does one car, both sides. 9023682 25.00

Y 63-82 Access Plate Putty Seal
Press this pliable soft putty into the raised rib on the perimeter of the access plate prior to mounting in the wheel well. Helps prevents water from rusting body mount bolts. Does 1 car. 9023680 4.00

