

73-82 Flexible Bumper

Fiberglass replacement Bumpers have very little deflection compared to OEM Urethane. However the following new products are a blend with strength & durability of Fiberglass & they paints like Fiberglass with some flex like Urethane. All are UPS O/S. Fiberglass Bumpers see previous page.

73-74 Front Bumper FlexiGlass	7831166	309.00
75-79 Front Bumper FlexiGlass	7831167	309.00
80-82 Front Bumper Trk ship FlexiGlass	7831170	349.00
74 Rear Bumper FlexiGlass	7831172	329.00
75 Rear Bumper FlexiGlass	7831173	329.00
Early 76 Rear Bumper FlexiGlass	7831174	329.00
Late 76-79 Rear Bumper FlexiGlass	7831175	329.00
80-82 Rear Bumper Trk ship FlexiGlass	7831176	329.00

How to tell Early 76 rear uses 3/4" tall emblem Late 76 rear uses a 1" tall emblem

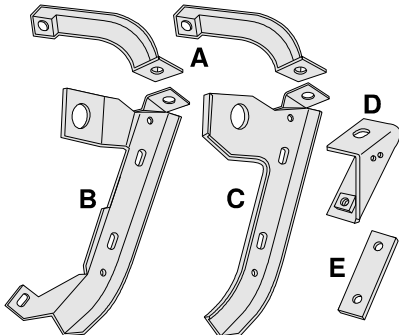
73-74 Front Bumper TruFlex	7831257	309.00
75-79 Front Bumper TruFlex	7831258	309.00
80-82 Front Bumper Truck ship TruFlex	7831259	339.00
74 Rear Bumper TruFlex	7831260	339.00
75 Rear Bumper TruFlex	7831261	339.00
Early 76 Rear Bumper TruFlex	7831262	339.00
Late 76-79 Rear Bumper TruFlex	7831263	339.00
80-82 Rear Bumper Truck ship TruFlex	7831264	339.00

Front Fender & Bumper Mounting Reinforcements

These steel brackets are riveted together, and to the front outer corners of the side fender panel and top surround. They allow attachment of the retainers inside the bumpers & also mount the outboard ends of the LH & RH grills.

73-79 Reinforcement Mounting Rivet 8 Piece Kit mounts upper & lower reinforcement together and to the body. Does 1 car. 7836216 2.00

Front Bumper Upper Reinforcements		
A 73-79 LH Upper Outer Repto	7836217	10.25
73-79 LH Upper Outer NOS	7836212	35.00
73-79 RH Upper Outer Repto	7836218	10.25

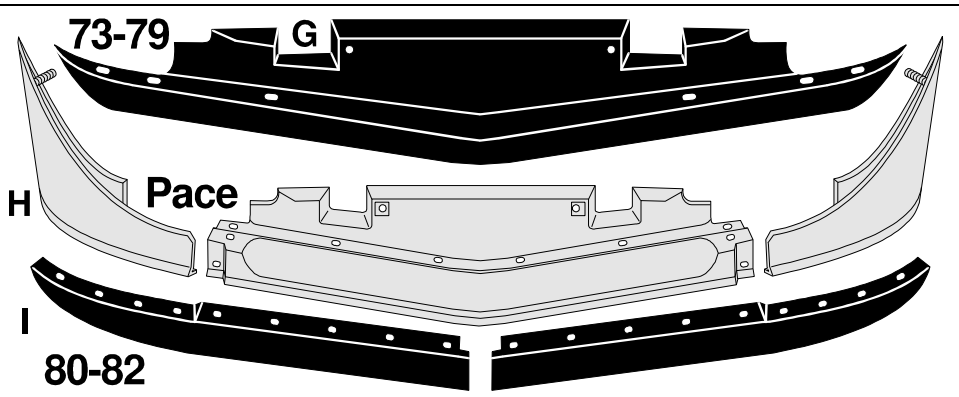


Front Bumper Lower Reinforcements		
B 73-74 LH Lower Outer Repto	7836219	21.00
73-74 RH Lower Outer Repto	7836220	21.00
B 73-74 LH Lower Outer NOS	7836214	Disc
73-74 RH Lower Outer NOS	7836215	40.00
C 75-79 LH Lower Outer Repto	7836221	21.00
75-79 RH Lower Outer Repto	7836222	21.00

Top Surround to Fender Skirt Mounting Brackets

These steel brackets are bolted to the front inner fender skirts and to the top surround steel header bar.

D 68-82 Top Surround End Mounting Brackets			
Stamped Steel with Weld Nuts. Select...			
Repto	LH	7836290	RH 7836291 10.50
NOS	LH	7836223	RH 7836224 19.50



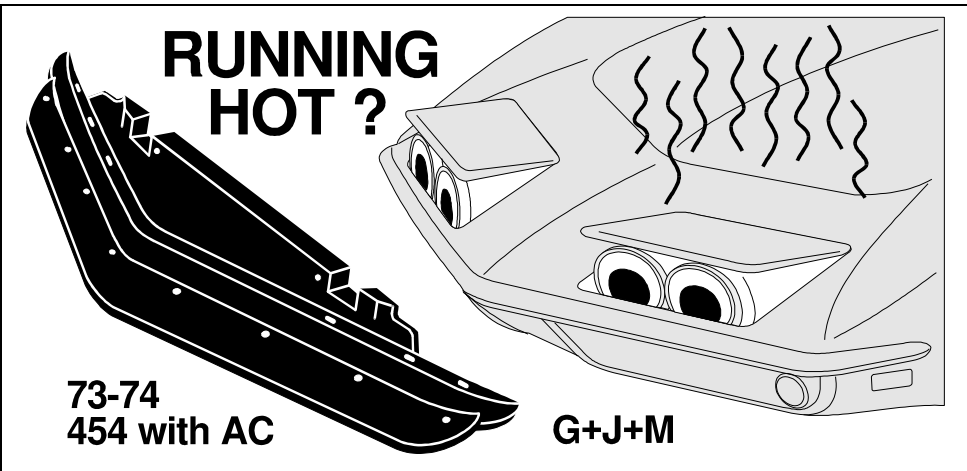
E 68-82 Surround End Bracket Mounting Plate		
Stamped Steel, 2 reqd.	7836225	6.00
68-82 End Bracket & Plate 6 Piece Mount Kit		
Hex washer head bolt set mounts LH & RH ends & 2 plates to the surround steel beam & inner fender skirts. Does 1 car. 7836227 3.50		

Front Spoilers and Mounting Kits

F 68-72 Front Spoiler UPS Oversize = O/S		
Authentic Molded Flexible Plastic	8200550	38.95
Replacement Front Spoiler	8200654	35.95
68-72 Spoiler 12 Piece Mount Kit ours has Flanged bolts and Flanged nuts - Do other kits???	8200551	6.00



K 77-78 with HD Radiator Extension	1274736	49.95
L 79 L-82 or HD Radiator Extension	1274738	49.95
M Extension Retainer 2 reqd	1274742	24.00
Extension Mounting Rivet 8 Piece Set Select from...		
Big Head Silver Aluminum Pop Rivet	1274739	4.50
Big Head Black Aluminum Solid Rivet	1274740	7.50



G 73-79 Standard Black Front Spoiler UPS O/S		
Authentic Molded Flexible Plastic	8200715	41.95
Replacement Front Spoiler	8200655	37.95
73-79 Spoiler 12 Piece Mounting Kit	8200552	7.00
H 73-79 Indy Pace Design Fiberglass Front Spoiler		
3 Piece Design HL UPS O/S	8200720	269.00
1 Piece Design Urethane O/S	8200721	189.00
73-79 Spoiler 30 Piece Mount Kit	8200553	7.50
I 80-82 Front Spoiler Flexible Molded Rubber & Steel		
USA LH	8200722	104.00
USA RH	8200723	76.70
LH+RH Front Spoiler Pair USA	8200724	179.95
LH+RH Front Spoiler Pair China	8200681	89.95
80-82 Spoiler 32 Piece Mount Kit	8200554	9.00

Spoiler Extension

Extensions are thick flexible rubber air dams mounted to the lower edge of the spoiler to funnel air into the grill. These can be Mounted to & will Improve the Cooling of Any Overheating 73-79

J 73-74 AC 454 Extension this can also be mounted to 68-79 spoilers to Aid Cooling	1274734	49.95
--	---------	-------

Spoiler and Extensions Assembly

Includes Black plastic spoiler, lower extension & 2 retainers completely assembled & Ready to install. Takes about 20 minutes. Reuse your old mounting hardware or order a kit at the left. All are UPS O/S.

F+J+M 68-72 Assembly	8200716	150.00
G+J+M 73-74 Assy 454 with AC	8200717	150.00
G+K+M 77-78 Assy with HD Rad	8200718	150.00
G+L+M 79 Assy w/ L-82 or HD Rad	8200719	150.00

68-82 Door Skin & Pillars

Door Outer Skin Panel

68 & 69-82 Skins are UPS Oversize = O/S All are HL			
68 Skins	LH	8200675	RH 8200676 349.00
69-82 Skins	LH	8200782	RH 8200783 349.00

Door Hinge Pillar Panels MM

68-82 LH	8200556	RH 8200557 79.50
----------	---------	------------------

Door Lock Pillar Panels MM O/S

68-75 Conv	LH	8200564	RH 8200565 132.00
68-Early 79 Coupe	LH	8200566	RH 8200567 132.00
Late 79-82	LH	8200776	RH 8200777 131.00

? Note: Early 79 Door Lock Pillar Panels have a Windlace Flange; Late 79 does not have a Flange.



68-72