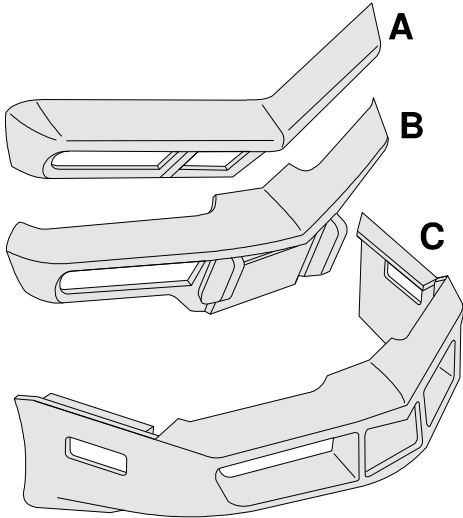


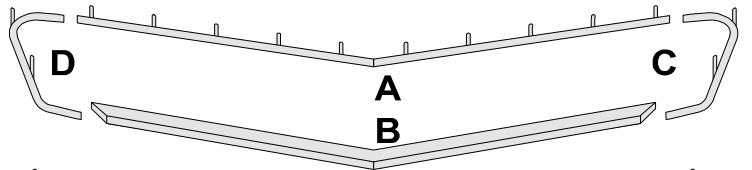
73-82 Front Bumpers



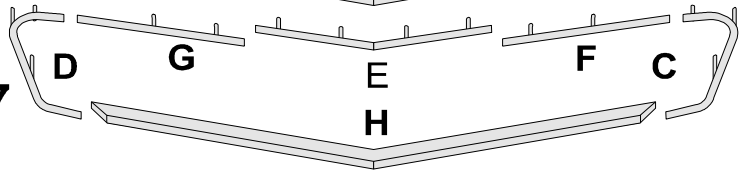
These are **Hand Laid** Fiberglass Replacements, See the following page for Flexible Bumpers.

- A** 73-74 Front Bumper UPS 20/S 8200730 489.00
- B** 75-79 Front Bumper UPS 20/S 8200731 489.00
- C** 80-82 Front Bumper Truck Ship * 8200732 489.00

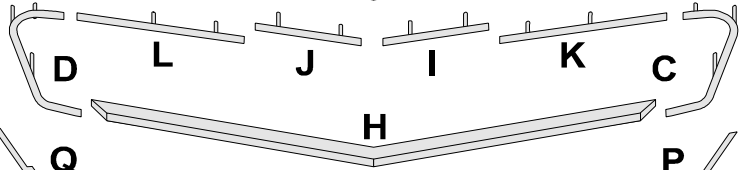
73-74



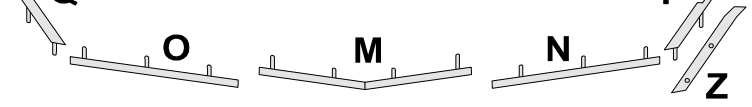
**75-
Early 77**



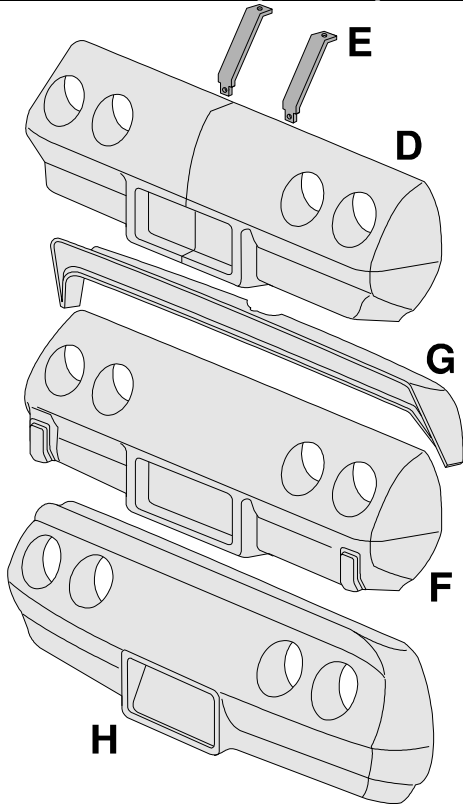
**Late 77
-79**



**80-82
Front
Bumper
Retainers**



74-82 Rear Bumper & Spoiler



- D** 74 Rear Bumper w/ recessed letters; groove simulates 2 Piece Design HL UPS 20/S 8200840 639.00
- E** 74 Rear Brace Replacement 2 reqd 8200519 30.00
- E** 74 Rear Brace Authentic MM 2 reqd 8200520 33.00
- 74 Rear Bumper Brace 12 Piece Mount Kit mounts to bumper & rear cross member 8200521 3.50
- F** 75-79 Rear Bumper with 1 Piece Design also fit 1974 75 Rear Bumper HL UPS 20/S 8200841 489.00
- 76 Rear Bumper HL UPS 20/S 8200843 489.00
- 77-79 Rear Bumper HL 20/S 8200842 489.00
- G** 78-79 Indy Pace Car Type Rear Spoiler HL UPS 20/S 8200831 319.00
- H** 80-82 Rear Bumper HL UPS 20/S will also fit 1974-1979 models 8200844 489.00

Front Bumper Retainers

Retainers are steel strips with threaded studs and / or weld-nut mounted inside the bumpers. They are held in place by push on nuts and then are bolted to the body.

- A** 73-74 Upper Retainer O/S repro 8200570 37.00
- B** 73-74 Lower Retainer O/S NOS 8200571 0.00
- B** 73-74 Lower Retainer O/S repro 8200048 54.50
- C** 73-79 LH Side Retainer 8200572 23.45
- D** 73-79 RH Side Retainer 8200573 23.45

The **Factory 75-Early 77** Front Bumper Upper Retainer was a **One Piece** design from side to side. The GM service replacement **75-Early 77** Front Upper Retainer was a **Three Piece** design that included an Center and LH & RH Retainers. The **Late 77-79** Front Bumper Upper Retainer is a **Four Piece** design that includes LH & RH Center and LH & RH Outer Retainers.

- E** 75-79 Upper Center **Repro** 8200618 21.00
- F** 75-79 Upper LH Outer **Repro** 8200624 21.00
- G** 75-79 Upper RH Outer **Repro** 8200625 21.00
- H** 75-79 Lower Retainer NOS 8200574 75.00
- H** 75-79 Lower Retainer **Repro** 8200049 54.50
- E** 75-Early 77 Upper Center NOS 8200578 38.00
- F** 75-Early 77 Upper LH Outer NOS 8200576 45.00
- G** 75-Early 77 Upper RH Outer NOS 8200577 38.00
- H** 75-79 Lower Retainer NOS 8200574 75.00
- H** 75-79 Lower Retainer **Repro** 8200049 54.50
- I** Late 77-79 Upper LH Center NOS 8200581 38.50
- J** Late 77-79 Upper RH Center NOS 8200582 38.50
- K** Late 77-79 Upper LH Outer NOS 8200579 29.50
- L** Late 77-79 Upper RH Outer NOS 8200580 29.50
- H** 75-79 Lower Retainer NOS 8200574 75.00

On 80-82 **M N O Z** Retainers mount to the Bumper, while **P Q** Retainers mount to the Body

- M** 80-82 Center Retainer **Repro** 8200619 21.00
- N** 80-82 LH Center Retainer NOS 8200585 30.00
- N** 80-82 LH Center Retainer **Repro** 8200652 20.00
- O** 80-82 RH Center Retainer NOS 8200586 30.00
- O** 80-82 RH Center Retainer **Repro** 8200653 20.00

- P** 80-82 LH Upper Outer Retnr NOS 8200 Disc
- P** 80-82 LH Upper Outer Retnr **Repro** 8200658 23.00
- Q** 80-82 RH Upper Outer Retnr NOS 8200 Disc
- Q** 80-82 RH Upper Outer Retnr **Repro** 8200659 23.00
- Z** 80-82 LH Lower Outer Retnr NOS 8200583 35.00

Rear Bumper Retainers

Retainers are steel strips with threaded studs and/ or sheet metal style threaded mounting holes mounted inside the bumpers. They are held in place by push on nuts and/ or rivets and then bolted to the body.

- R** 74-79 LH Side **Repro** 8200590 22.00
- S** 74-79 RH Side **Repro** 8200591 22.00
- R** 80-82 LH Side NOS 8200595 26.00
- S** 80-82 RH Side NOS 8200594 Disc
- 74-76 LH Upper discontinued use 8200592 or 8200632
- 74-76 RH Upper discontinued use 8200593 or 8200633
- T** 74-82 LH Upper **Repro** 80-82 replmnt 8200632 22.00
- U** 74-82 RH Upper **Repro** 80-82 replmnt 8200633 22.00
- V** 77-79 LH Upper NOS 8200592 30.95
- W** 77-79-RH Upper NOS 8200593 0.00
- 80-82 LH Upper discontinued use 8200632
- 80-82 RH Upper discontinued use 8200633

Bumper Mounting Kits

The following hardware kits mount the bumper retainers to the bumpers & to the body. Studs are not included.

- 73-79 Front **28 Piece** Mounting Kit 7833230 4.95
- 80-82 Front **26 Piece** Mounting Kit 7833232 4.95
- 74-76 Rear **32 Piece** Mounting Kit 7833234 4.95
- 77-79 Rear **22 Piece** Mounting Kit 7833236 4.95
- 80-82 Rear **26 Piece** Mounting Kit 7833238 4.95

Note: If using **Repro** 74-82 Rear Bumper Retainers on an 77-82 models - use the 74-76 Rear Bumper Mount Kit

73-82 Stud Repair Kit

73-82 Bumper Retainer **Stud Repair 8 Piece Kit**
Replace the broken studs on the front or rear bumper mounting retainers. Includes 8 thread cutting bolts & mounting instructions. Use as reqd. 7833240 4.75

74-82

**Rear
Bumper
Retainers**

