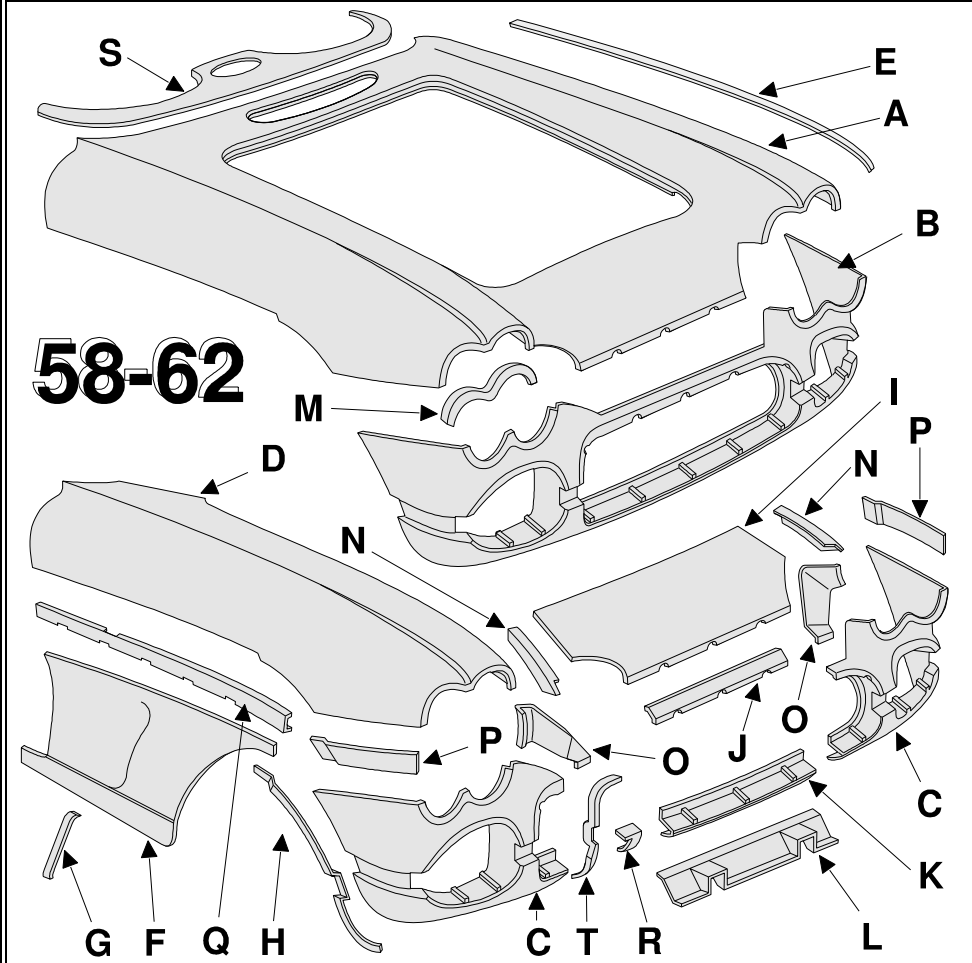


See Page 191 for Fiberglass Key

**58-62 Front End Fiberglass**

- A** Top Surround Panel extends over the Dash down to the Middle of Head Lamps. \* = Truck Ship  
 Top Surround Panel \* MM 8200220 995.00  
 Top Surround Panel \* HL 8200221 925.00
- Cowl Reinforcement to the rear of cowl vent; top surround glues to this. O/S MM 8200148 153.95
- B** 58-62 Complete 1 Piece Lower Nose Panel  
 Middle of Lamp Down MM 2O/S 8200224 959.00  
 58-62 Lower Center Nose & Side Panel Center of the Bumpers Down MM O/S 8200225 649.00
- C** 58-62 Side Nose Panel LH and RH are MM & O/S Below the Head Lamp, around the Eyebrows.  
 LH 8200226 409.00 RH 8200227 409.00
- D** Top Fender Panels Select from Two Lengths...  
 Fender Panels extends to the Windshield as in diagram  
 58-61 LH Fender 2O/S MM ? 8200230 389.95  
 58-61 RH Fender 2O/S MM ? 8200231 389.95  
 62 LH Fender 2O/S MM ? 8200232 389.95  
 62 RH Fender 2O/S MM ? 8200233 389.95  
 Fender Panels extends to the Dash - Not Illustrated  
 58-61 LH Fender 2O/S MM 8200228 469.95  
 58-61 RH Fender 2O/S MM 8200229 469.95  
 62 LH Fender 2O/S MM 8200234 469.95  
 62 RH Fender 2O/S MM 8200235 469.95
- E** 58 Top Fender Reinforcement MM UPS O/S Prevents Sagging Fenders 2 reqd 8200223 69.75
- F** Side Fender Louver Panels  
 58-61 LH Panel MM UPS O/S 8200236 409.00  
 58-61 RH Panel MM UPS O/S 8200237 409.00  
 62 LH Panel MM UPS O/S 8200238 339.50  
 62 RH Panel MM UPS O/S 8200239 339.50
- G** Side Fender Scoop Filler Panels:  
 58-61 LH Filler Panel MM 8200247 49.50  
 58-61 RH Filler Panel MM 8200248 49.50  
 62 LH Filler Panel MM 8200262 49.50  
 62 RH Filler Panel MM 8200263 49.50
- H** Front Wheel Lip Reinforcement Bonding Strip:  
 58-61 LH Wheel Lip B/S MM 8200249 79.00  
 58-61 RH Wheel Lip B/S MM 8200250 79.00  
 62 LH Wheel Lip B/S MM 8200251 68.50  
 62 LH Wheel Lip B/S MM 8200252 68.50
- I** Upper Center Nose Panel between Head Lamps:  
 58-60 Center Nose Panel MM 8200241 169.50  
 61-62 Center Nose Panel MM 8200242 169.50
- J** 58-62 Front Lower Center Panel Reinforcement MM 8200243 89.50
- K** 58-62 Lower Center Panel MM 8200245 149.50
- L** 58-62 Lower Baffle MM 8200246 89.50
- M** 58-62 Headlamp Housing Upper Eyebrow B/S:  
 LH or RH Eyebrow B/S MM 8200254 47.50



- N** 58-62 Center Nose Panel to Side Nose Bond Strip MM  
 LH 8200256 49.50 RH 8200257 49.50
- O** 58-62 Corner Nose Panel to Side Nose Bond Strip MM  
 LH 8200260 67.50 RH 8200261 67.50
- P** 58-62 Front Side Fender Top to Nose Bonding Strip MM  
 LH 8200264 54.95 RH 8200265 54.95
- Q** Side Fender to Top Fender Panel Bonding Strip  
 58-61 LH Side B/S MM O/S 8200267 93.50  
 58-61 RH Side B/S MM O/S 8200268 93.50  
 62 LH Side B/S MM O/S 8200269 99.50  
 62 RH Side B/S MM O/S 8200270 99.50
- R** 58-62 Center Nose to Corner Nose Bonding Strip MM  
 LH 8200273 59.50 RH 8200274 59.50

- S** 58-62 Dash Panel MM UPS O/S 8200222 265.00  
 58-62 Inner Fender Skirt are MM and UPS 2O/S  
 LH 8200275 409.95 RH 8200276 409.95  
 58 RH Inner Skirt Extension bolts to inside Lower Rear Edge of the Skirt MM 8200277 69.00
- T** 58-62 Nose to Inner Fender Skirt B/S: MM  
 LH 8200278 67.95 RH 8200279 67.95

**61-62 Rear End Fiberglass**

- U** Front Quarter Panel MM UPS O/S  
 LH 8200282 187.95 RH 8200283 187.95
- V** Rear Quarter Panel MM UPS O/S  
 LH 8200284 178.95 RH 8200285 178.95
- U+V** Full Rear Quarter Panel one piece HL & O/S  
 LH 8200280 189.95 RH 8200281 189.95
- W** Rear Quarter Panel Upper Bonding Strip: MM  
 LH 8200286 93.95 RH 8200287 93.95
- X** Rear Quarter Panel Vertical Bonding Strip: MM  
 LH 8200288 69.00 RH 8200289 69.00
- Y** Tail Lamp Panel MM UPS O/S 8200255 379.95  
 Tail Lamp Panel HL UPS O/S 8200290 379.00
- Z** Panel Upper B/S MM UPS O/S 8200292 99.95
- AA** 58-62 Rear Wheel Front Splash Panel  
 MM LH 8200083 67.00 RH 8200084 103.00  
 HL LH 8200200 74.00 RH 8200201 74.00
- BB** 61-62 Trunk LH or RH Vertical Side Supports MM Reinforces Trunk Lip 2 reqd 8200295 89.95
- CC** 61-62 Trunk Floor Filler Panels HL  
 LH Filler Panel includes Depression for the Jack Handle & Lug Wrench HL 8200297 98.50  
 RH Filler Panel HL 8200298 98.50
- DD** 61-62 Trunk Surround HL \* 8200294 474.95
- EE** 61-62 Trunk Lid HL UPS O/S 8200296 495.00  
 61-62 Gas Door Housing MM 8200088 103.00  
 61-62 Gas Door Housing HL 8200293 120.95  
 61-62 Trunk Lock and Spring Mounting Panel Box HL 8200299 89.95

