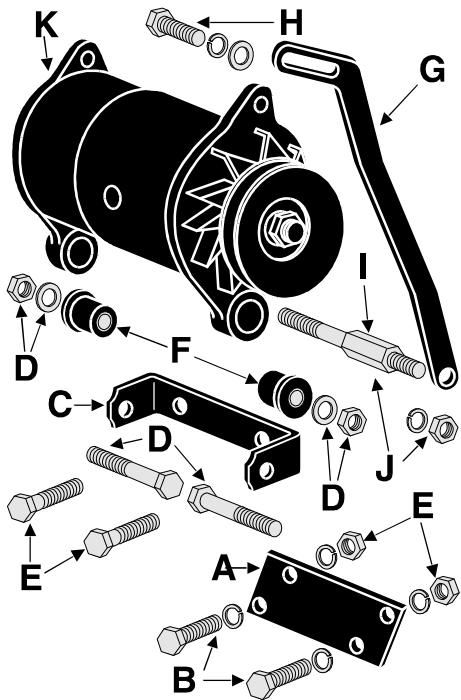
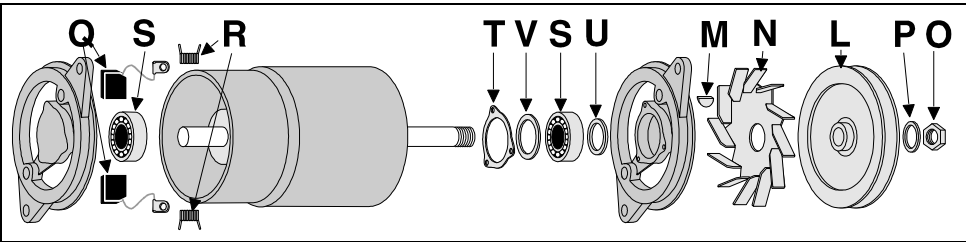


**Generator Mounting**



- A Exhaust Manifold Flat Mounting Plates**  
58-61 All, and  
62 340, 360 HP Mounting Plate 2277110 18.00  
62 250 & 300 HP Mounting Plate 2277111 15.00
- B 58-62 Mounting Plate To Manifold 4 Piece Mounting Kit**  
with 2 ★ Grade 300 bolts & 2 lock washers.  
Does 1 car. 2277112 3.15
- C 56-57 "U" Bracket except F.I.** 2277113 29.50  
**57 "U" Bracket with F.I.** 2277114 Disc  
**58-61 "U" Bracket except F.I.** 2277115 30.00  
**58-61 "U" Bracket with F.I., and 62 "U" Bracket** 2277116 31.45
- D 58-62 Generator to "U" Bracket 6 Piece Mounting Kit**  
with 2 Grade 280 bolts, 2 lock nuts & 2 washers. **Does 1 car.** 2277118 4.25
- E 58-62 "U" Bracket to Flat Plate 6 Piece Mounting Kit**  
with 2 ★ Grade 300 bolts, 2 lock washers & 2 lock nuts. **Does 1 car.** 2277117 3.15
- F 58-62 Generator Mounting Bushing with Sleeve**  
Black molded rubber with internal steel sleeves.  
Dampens engine vibration. **2 reqd** 2277119 8.00
- 55-57 Bushing Heat Shield**  
essential for preventing heat transfer from the exhaust manifold. 2277120 19.95
- G Generator Adjusting Brace**  
**55-57 Generator Brace** 2277121 33.50  
**58-62 Generator Brace** 2277122 28.50
- H 58-62 Generator to Brace 3 Piece Mounting Kit**  
with 1 Grade 280 bolt, 1 lock washer & 1 flat washer. **Does 1 car.** 2277124 2.95
- I 58-62 Brace to Water Pump Mounting: Special Mounting Stud Only** 1062101 10.75
- J Stud 3 Piece Mounting Kit** includes 1 special stud with 1 lock washer & 1 nut. **Does 1 car** 2277125 13.25



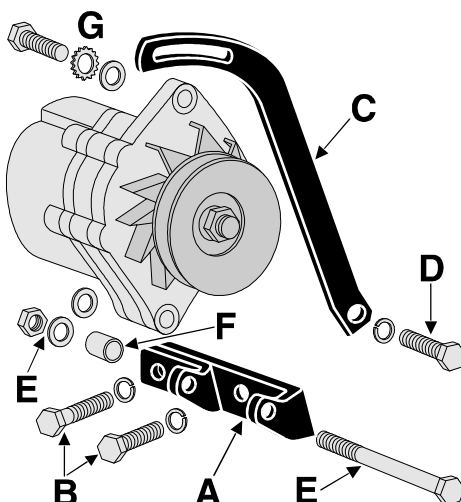
- K 56-61 Rebuilt Generator less pulley**  
*Core Exchange Required.* 2277080 255.00  
**56-62 Core Charge** 2277082 175.00
- K 62 Rebuilt Generator less pulley**  
*Exchange required.* 2277084 286.00

**53-62 Generator Parts**

- L 58-62 Generator Pulley and Fan**  
except F.I. or HL cam 3 5/8" OD 2276100 115.00  
with F.I. or HL cam 4" OD 2276101 115.00
- M 53-62 Pulley Mounting Key** 2276102 4.50
- N 53-62 Generator Fan** 2276106 Disc
- O 53-62 Pulley Mounting Nut** 2276107 10.00
- P 53-62 Pulley Wavy Washer** 2276108 3.00
- Q 53-62 Generator Brush**  
with lead wire. **2 reqd** 2276109 12.50
- R 53-62 Generator Brush Torsion Spring**  
Holds brushes against the armature.  
**2 reqd** 2276110 7.50
- S 53-62 Generator Main Bearings**  
Drive end or frame end. **2 reqd** 2276111 24.50
- T 53-62 Generator Drive End Bearing Gasket**  
Die cut fiber. 2276112 2.75
- U 53-62 Generator Drive Bearing Washer**  
Die cut felt. 2276113 2.75
- V 53-62 Drive Bearing Spacer** 2276114 4.75

**Alternator**

**63-65 327 RH Mounting**



- A 63-65 Alternator Support 327 except AC**  
Mounts on exhaust manifold. 2277130 34.95
- B 63-65 Support to Exhaust Manifold 4 Piece Mounting Kit**  
with 2 ★ Grade 300 bolts & 2 lock washers.  
**Does 1 car.** 2277131 2.95
- C 63-65 Adjusting Brace** 2277132 25.00
- D 63-65 Brace to Block 2 Piece Mounting Kit**  
with 1 ★ Grade 300 bolt & 1 lock washer.  
**Does 1 car.** 2277133 1.95
- E 63-65 Alternator to Support 4 Piece Mounting Kit**  
with 1 ★ Grade 300 long bolt, 2 special washers & 1 lock nut. **Does 1 car.** 2277134 3.50

- F 63-65 Alternator Spacer** 2277135 2.95
- G 63-65 Alternator Adjusting 3 Piece Mounting Kit**  
with 1 ★ Grade 300 bolt, 1 flat washer & 1 star washer. **Does 1 car.** 2277136 2.50

**Alternators**

**Delco Alternators**

All authentic alternators are in short supply, have high demand and therefore volatile prices. Call for current price and availability. These are replacements made by Delco.

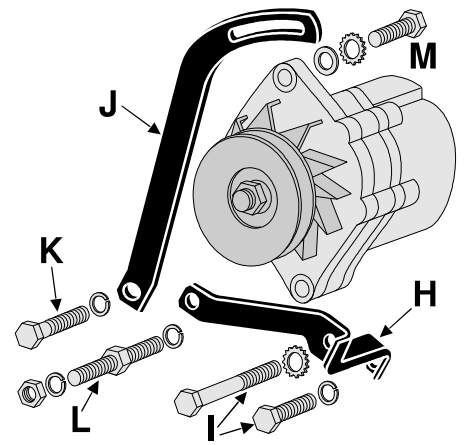
**Alternators Are Not Returnable**

Model	Amps	
63-68 327 except AC	37 Amp	2277149 88.50
63-68 327 with AC	61 Amp	2278150 88.50
69-79 350 except AC	42 Amp	2278152 128.50
69-79 350 with AC	63 Amp	2278154 128.50
80-82 350	85 Amp	2278155 138.00

**64-71 327 350 LH Mounting**

- H 64-71 Alternator Lower Support**  
to the exhaust manifold. 2277142 30.00
- I 64-71 Support to Block 4 Piece Mounting Kit**  
with 2 ★ Grade 300 bolts, 1 lock washer & 1 star washer. **Does 1 car.** 2277143 3.95
- J Alternator Braces:**  
64-67 250, 300 HP exc AC 2277144 34.50  
64-65 350, 365, 375 HP except PS 2277145 19.50  
64-65 365 HP with AC 2277146 31.00  
66-67 350 HP + PS & AC 2277144 34.50  
66-68 all 327 2277146 31.00  
68-69 327 or 350 Brace replacement 2277144 34.50  
69-74 all 350 2277146 31.00  
75-82 350 exc 70 Amp replacement 2277145 19.50

- K 64-71 Brace to Block 2 Piece Mounting Kit**  
without smog pump includes 1 ★ Grade 300 bolt & 1 lock washer. **Does 1 car.** 2277149 2.95
- L 66-71 Brace to Block 4 Piece Mounting Kit**  
with smog pump includes 1 special stud, 1 nut & 2 lock washers. **Does 1 car.** 2277148 6.25
- M 66-71 Alternator Adjusting 3 Piece Mounting Kit**  
with 1 ★ Grade 300 bolt, 1 special flat washer & 1 star washer. **Does 1 car.** 2277136 2.50



**63-82 Alternator Wiring**

- Rubber Boot without the X **Repro** 2277226 4.00
- Rubber Boot with the X **Mint Original** 2277225 15.00
- Alternator Wire Harness Plug In Plastic Connectors**  
63-68 Harness Plug In Plastic Connector 2485214 6.00  
69-82 Harness Plug In Plastic Connectors 2485213 6.00