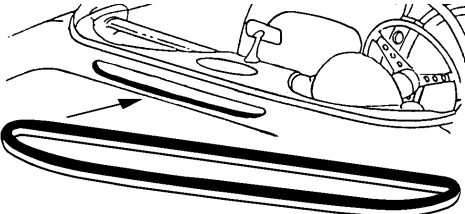


53-62 Cowl Vent Seal



Our part is made like factory: die cut from **One Piece of Black sponge rubber without any seam, and they fit perfectly in the cowl vent recess.** The brand x part is merely 2 straight strips of rubber that are glued together in a poor attempt to duplicate the oval pattern. Because of this design those "X" brand fit poorly. 8017105 9.50

53-62 Cowl Vent Knob

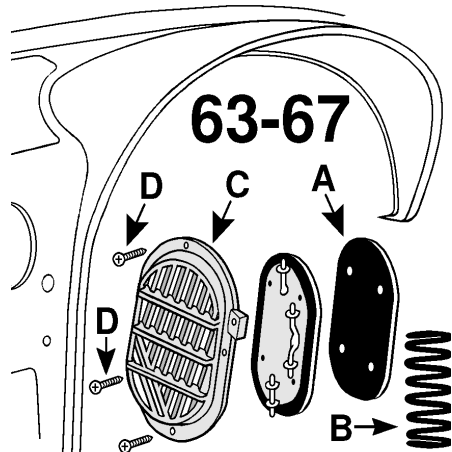
Authentic die cast Zinc knob with a quality Chrome plating & includes the mounting screw. **At this price you could not replat your old one.**



USA 8017106 14.00

63-67 Fresh Air Vent Seal

A63-67 Fresh Air Vent Door Seal Rebuild Kit After 40+ years these seals have cracked, dried out & crumbled away causing those annoying leaks. Our kit includes 2 die cut Black sponge rubber seals, 8 semi-tubular rivets & 2 push-on retainers to re-mount the cables. 8844120 11.50



B63-67 Vent Door Pin Spring Pair necessary to mounts the vent doors to door housing. 8844124 4.00

C63-67 Fresh Air Vent Door Grills Black plastic
 Good China repro LH 8844208 RH 8844209 51.95
 Good China repro Pair 8844206 79.95
 Best China repro LH 8844122 RH 8844123 57.50
 Best China repro Pair 8844205 99.95

D63-67 Vent Door Grill Mounting Screw 6 Piece Set Does 1 car. 8844121 2.45

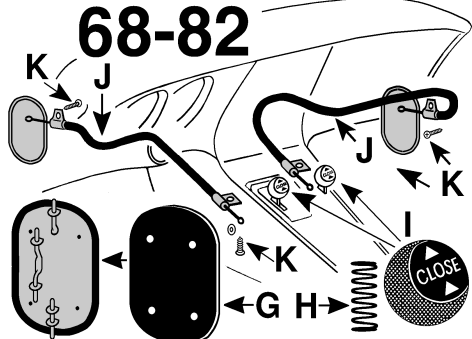
Vent Door Cables complete with Knob, inner Wire, outer Casing and mounting Bracket to the botton on the dash.
 63-64 LH & RH Vent Cable Pair exc AC 8844210 129.95
 65-66 LH & RH Vent Cable Pair exc AC 8844211 178.95
 67 LH or RH Vent Cable exc AC less control Knob mounts to radio cover, 2 reqd. replacement 8844212 59.95

An Inexpensive Solution to Broken Vent Door Cables

63-66 Fresh Air "Push Pull" Cable Repair Kit Includes 5 foot piece of authentic diameter tempered steel cable and complete instructions. Requires minor brazing, grinding and filing. The LH cable requires 22 1/8". The RH cable requires 50 1/8" 8852206 14.00

68-82 Front Vent Door Seal Kit

G68-82 Fresh Air Vent Door Seal Rebuild Kit includes 2 die cut Black sponge rubber seals, 8 semi-tubular rivets, 2 push-on retainers to re-attach the vent cables & complete Instructions. Others lack items in italic. 8844130 11.50



H68-82 Vent Door Pin Spring mounts the vent doors to the vent door housing. Pair 8844124 4.00

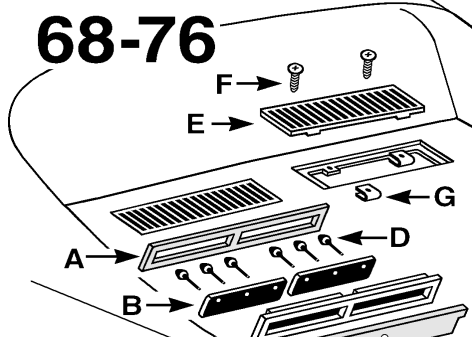
Knobs: 68-76 Vent Door Control Knob on the Console all except Air Conditioned models. 2 reqd on each
 Early 68 Chrome Knob says Vent Only 8844109 27.00
 Late 68-69 Chrome Knob says Vent+ Open 8844108 7.95
 70-71 Smooth Black Plastic Knob 8844110 12.00

I 72-76 Textured Black Plastic Knob
 Knob Repro 8844112 8.00
 Knob NOS 8844127 19.50
 78-82 Plastic Vent Knob Black only Paint as required 1137560 17.50
J 68-76 Vent Door Control Cable 2 reqd With Casing use for LH or RH NOS 8844129 22.50 Above Cable & Casing Repro 8844131 19.95
K 68-76 Control Cable 8 Piece Kit mounts cables to the vent door & console. Does 1 car. 8844128 3.50

68-76 Astro Vent Rear Door Rebuild Kits

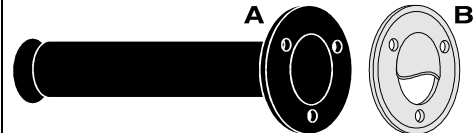
The design for these parts were patterned from NOS GM samples. We did not copy a repro as Blem Products did. Too bad they cannot even copy properly. Our fit properly like they should. "Sometimes only the name is the same."™

A 2 Door Frame Seals with Self Adhesive Backing
B 4 Air Valve Seals of Black Sponge Rubber
C 2 Rear Vent Door Seals of Poly Foam
Model Includes Pieces
 68 All Models A+B 6 Pieces 8844133 13.50
 69-76 except AC A+B+C 8 Pieces 8844134 19.00
 69-76 with AC A only 2 Pieces 8844135 12.00



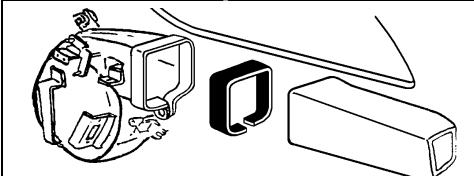
D68-76 Vent Door Valve Fastener 12 Piece Set Each valve mounts with 3 fasteners. 8844138 27.50
E68-76 Vent Grill 2 reqd. 8844140 33.25
68-76 Rear Vent Grill Mounting Hardware:
F Grill Mounting Screw 8 Piece Set 8844141 3.50
G Grill Mounting U-Nut 8 Piece Set 8844142 4.40
Vent Door Frame to Body 12 Piece Mount Kit with 6 U-nuts & 6 pan head screws. Does 1 car. 8848204 6.00

68-76 Coupe Drain Hose



A68-76 Coupe Rear Vent Drain Hose Molded rubber, 2 reqd 8844145 19.95
B Drain Hose Shields authentic Zinc plated
 68-76 Coupe Shields Pair 8844165 25.50
 68-70 Convertible Pair 8844167 25.50
 Shield Mounting Rivet 6 Piece Set 8844146 2.50
 Drain Hose Clamp 2 reqd 8844147 8.50

65-66 Coupe Rear Vent

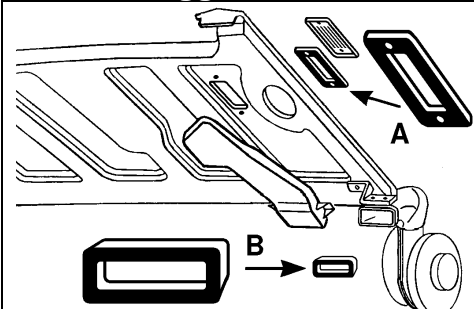


65-66 Coupe Rear Vent Duct Seal Die cut Black sponge rubber with PSA 8844125 4.00
65-66 Blower Motor Grommet 3 Piece Set Mounts motor. Does 1 car. NOS 8844126 22.00
65-66 Blower Motor Resistor 8850140 9.95
65-66 Coupe Rear Vent Cable Repair Kit Includes 11 foot piece of authentic diameter tempered steel cable and instructions. Requires minor brazing, grinding and filing. 64-65 without AC requires 114". 64-65 with AC requires 125". 8852208 20.00

69-75 Coupe Defogger Hose

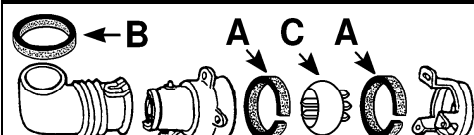
69-75 OEM Black Cloth Covered hose 9778106 24.00

69-75 Convertible Defogger Gaskets



J Deck Lid Outlet Grill Gasket Die cut Black sponge prevents leaks on deck lid. 9778102 5.00
K Lower To Upper Duct Gasket Die cut poly foam seals the junction of the upper & lower defogger ducts when the deck lid is lowered. 9778104 5.00

68-77 Astro Vent Seals



A Astro Vent Outlet Deflector Ball Seal Set Die cut felt 4 piece set, does both LH & RH sides. Solves loose, sloppy deflector balls that will not stay aimed. Does 1 car. 8846429 4.45
B Astro Vent Outlet Fresh Air Duct Seal Pair Die cut poly foam, seals the ducts to firewall plenum, 68 uses 2 pair; 69-77 use 1 pair. 8844150 3.40