

**63-82 Expansion Tanks**

These are genuine Harrison Logo embossed Aluminum tanks with all the hose fittings hell-arc welded in place and stamped with OEM part number. Not replacements.

- A 61-62 Aluminum Expansion Tank 1219097 159.50
- B 63-67 Aluminum Expansion Tank 1219098 159.50
- C 68-72 Aluminum Expansion Tank 1219099 159.50

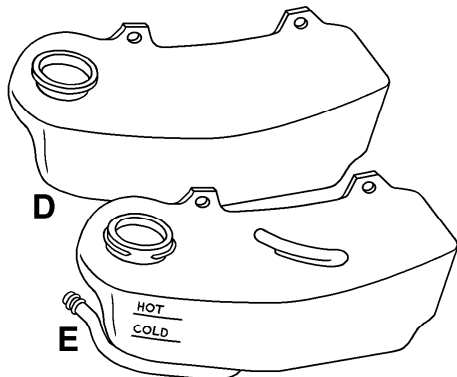
**NEW 69-72 427-454 with AC Expansion Tank**  
Tubular Brass embossed Harrison! 1219089 259.95

**X-Tank Date-Code Service**

We can date code a new 61 to 72 tank to match the assembly date of your Vet. These numbers are stamped not engraved. Authentic characters such as a "3" with a square top & the "4" that is open on top. Consult the V.I.N. chart on the next page. Allow 2-3 weeks.

- 61-62 Date Coded Expansion Tank 1219197 184.50
- 63-67 Date Coded Expansion Tank 1219198 184.50
- 68-72 Date Coded Expansion Tank 1219199 184.50

**NOTE** The actual date on most x-tanks usually predates the final assembly of the vehicle by 1 to 3 month's. However some tanks are dated the same month



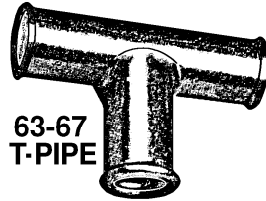
- 73-82 Plastic Tank Mounting **6 Piece Set**  
With 3 sems screws & 3 U-nuts to mount the tank to the inner fender skirt. Does 1 car. 1219075 3.95
- 74-Early 77 Plastic Tank (Replacement for 73 models.)  
73 Models have a Bump on the RH Fender Skirt and this tank will not lay flat on the inner fender skirt. **Select...**
- D NOS discontinued genuine GM Tank 1219578 40.00
- D Nice **Repro** Tank includes Part Number 1219074 24.50
- Economy **Repro** Tank no number 1219579 19.95
- 73- Early 77 Snap On Style Cap (Replacement for 73)  
Repro Cap made in China 1219575 6.00
- Genuine GM Cap made in USA 1219080 15.00

**How to Tell Early 77 from Late 77**

**Early 77** tank has the filler & overflow built into the cap;  
**Late 77** has the filler & overflow molded into tanks sides.

- E Late 77-82 Plastic Tank 1219077 21.85
- Late 77-82 Screw On Style Cap **replm** 1219082 10.60
- Late 77-82 Cap with Label **OEM** 1219085 12.50

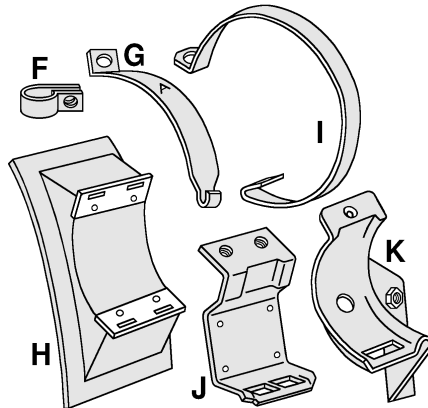
**63-67 Tank T-Pipe**



63-67 Tank "T" PIPE a beautiful repro, with authentic Zinc plating finish & flared ends to retain the hoses & prevent water leaks. from heater hoses. Why settle for less? 1219205 14.00

**Tank Mounting Hardware**

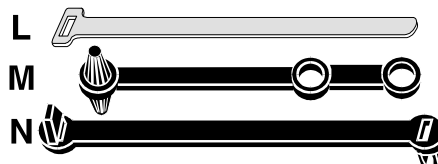
- F 61-62 Overflow Hose Mounting Clip  
Mounts on LH radiator support to guide the overflow hose. 1219108 4.00
- 61-62 Tank Mount Bracket **Repro** 1219110 104.50
- 61-62 Tank Mount Bracket **NOS** 1219111 300.00
- G 61-62 Tank Mounting Strap  
Our preformed Zinc plated strap has authentic details like the "A" stamped on the surface, like factory, others are not stamped. 1219103 8.50
- 61-62 Strap Mounting Bolt 1219104 1.00
- 61-62 Tank Bracket Mounting Stud & Nut Mounts in the intake manifold. **NOS** 3890210 0.00
- 61-62 X-Tank Mounting Bolts & Lock Washer **4 Piece Set** to the exhaust manifold. 1219109 2.40



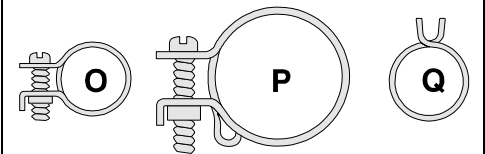
- H 63 Tank Mounting Bracket  
Replica of factory style fiberglass bracket, assembled with cadmium plated steel strap retainers installed. Glues to the inner fender skirt. 1219063 39.50
- 63 Tank Strap **4 Piece Set** 1219220 26.00
- I 64-72 Tank Mounting Straps  
Authentic stamped steel with Cadmium plating finish. These were **Never Ever Ever was made of stainless.** Pair. Does 1 car 1219207 12.00
- J 64-72 Tank Mounting Bracket **OEM**  
with 4 OEM mounting Rivets. 1219206 17.50
- 63-72 Tank Strap Mounting Bolts  
Indented hex head bolts with lock washers. Pair. Does 1 car. 1219215 2.00
- K 69-72 427 or 454 with AC  
Expansion Tank Mounting Bracket **NOS**  
This is the inner fender bracket. 1219100 0.00

**Expansion Tank Hose Straps**

- L 61-62 Aluminum Tie Strap  
Binds together the tank to radiator and tank overflow hose together. 2259300 3.00
- M 63-73 Tank to Radiator Hose Tie Strap exact repro  
These snap into holes in the RH fender skirt. 63-67 uses **4 pieces**; 68-73 use **1 piece.** 2259203 3.00
- N 74-78 Tank to Radiator Tie Strap exact repro  
Snaps in RH fender skirt. 2259216 4.00

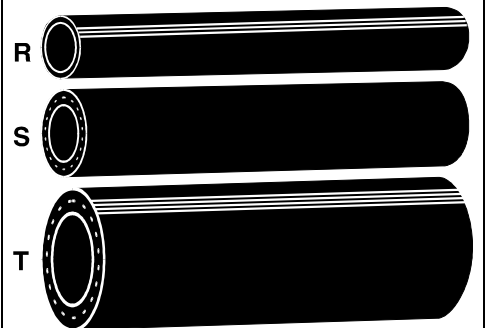


**Expansion Tank Hose Clamps**



- O 61-72 Tank to Radiator Hose Clamp  
Solid Band. Factory style & size "Wittek" Clamp # Auto 23. **NOS 2 reqd** 4166921 8.50
- P 61-62 Tank to Water Pump Hose Clamp or  
63-67 Tank to T-Pipe Hose Clamp  
Factory design Slotted Band manufactured by American Stamping # 10 1/2. **2 reqd** 4166920 2.95
- Q 73-82 Tank to Radiator Hose Clamp  
Factory design Solid Band Spring Steel with 3 Tabs and Green paint finish. **2 reqd** 4166922 1.50

**61-62 Expansion Tank Hoses**



- R 61-62 Thin wall Expansion tank Overflow Hose with Ribs  
**USA Psssst** - these are longer than the shorter 63-73 hoses found elsewhere. Hello..... 1219112 12.00
- S 61-62 Expansion Tank to Radiator Hose **USA**  
Authentic design reinforced black hose that is without ribs as was factory. Made in the USA 1219105 6.00
- T 61-62 Expansion Tank To Water Pump Hose **USA**  
Authentic design reinforced black hose with Ribs as was factory. 1219106 7.95

**63-68 Tank to Radiator Hose**

- U Reinforced Black hose made in the USA.  
63-69 Tank Hose with Blue Logos  
I personally have never seen any convincing irrefutable proof that any 1970-1982 model ever used this hose. 1219290 18.00
- 63-82 Replacement-Tank to Radiator Hose  
As above, without logos. **USA** 1219779 14.50

**63-82 Tank Overflow Hoses**

- Expansion tank overflow hoses carry the excess radiator fluid to the ground.
- V 63-73 Expansion Tank Overflow Hose **USA**  
Thin wall with Ribs. Clamps are not used since this hose is not under pressure. 1219212 7.75
- W 74-82 Expansion Tank Overflow Hose **USA**  
reinforced thick wall design as OEM. This hose is **not printed.** 1219307 8.50
- Above Hose with logo. Special Order 22.50

