

70-72 LT-1 Seal Kits

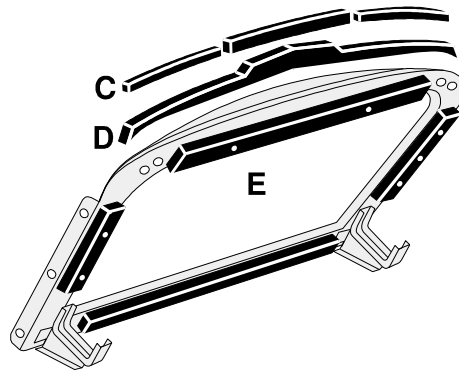
This Model Includes Items

| | | | | |
|-----------------|-------|-----------|---------|-------|
| 70 LT-1 | ABCEF | 13 pieces | 1274945 | 51.00 |
| Early 71 LT-1 | CEF | 11 pieces | 1274946 | 51.00 |
| Late 71-72 LT-1 | DEF | 9 pieces | 1274947 | 48.00 |

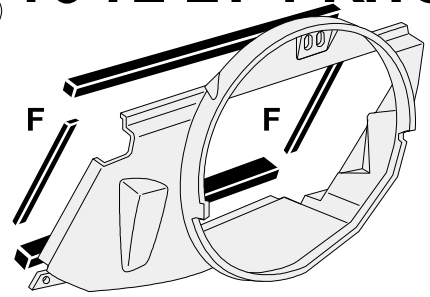
- A 68-70 Lower Baffle Front Seal with PSA
- B 68-70 Lower Baffle Rear Seal with PSA
- C 70- Early 71 Air Dam to Hood Seal 3 Piece St
- D Late 71-72 LT-1 Air Dam Radiator Hood Seal
- E 70-72 LT-1 Radiator Support 4 Piece Seal Set
- F 70-72 LT-1 Fan Shroud Seal 4 Piece Seal Set

How to Tell Early 71 LT-1 from Late

Early LT-1 use a 3 piece air dam, while **Late LT-1** uses a long 1 piece air dam. If your air dam is missing, inspect the top of the radiator support for residue of the glue to help determine your application.



70-72 LT-1 KITS

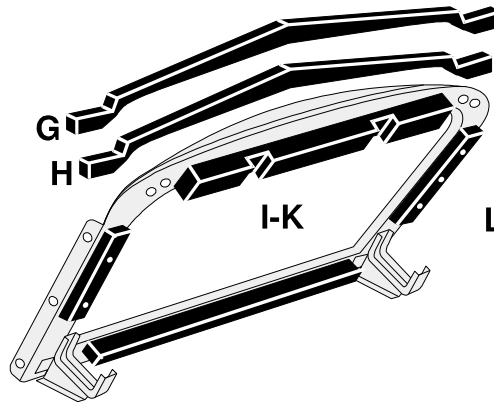


73-75 Seal Kits

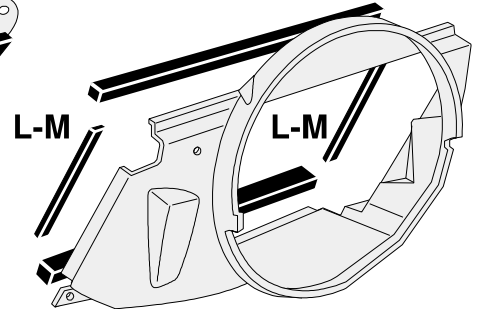
This Model Includes Items

| | | | | |
|-------------------|-----|----------|---------|-------|
| 73 all 350 or 454 | GIL | 9 pieces | 1274950 | 51.00 |
| 74-75 except AC | HJM | 9 pieces | 1274951 | 51.00 |
| 74-75 with AC | HKM | 9 pieces | 1274952 | 51.00 |

- G 73 Radiator to Hood Air Dam Seal
- H 74-75 Radiator to Hood Air Dam Seal
- I 73 Radiator Support 4 Piece Seal Set
- J 74-75 Exc Ac Radiator Support 4 Pc Seal Set
- K 74-75 With Ac Radiator Support 4 Pc Seal Set
- L 73 Plastic Fan Shroud 4 Piece Seal Set
- M 74-Early 76 Plastic Fan Shroud 4 Pc Seal Set



73-75 All KITS

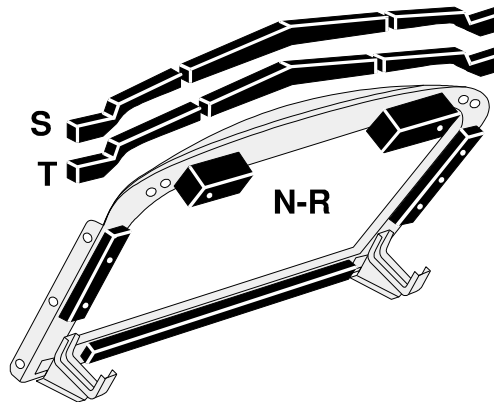


76-78 Seal Kits

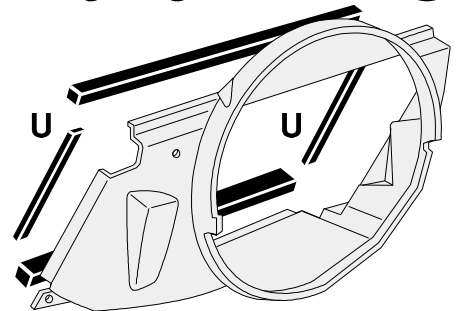
This Model Includes Items

| | | | | |
|--|-----|-----------|---------|-------|
| Early 76 except AC | NSU | 12 pieces | 1274968 | 44.00 |
| Early 76 with AC | OSU | 12 pieces | 1274969 | 44.00 |
| Late 76-78 except L-82 AC or Heavy Duty Radiator | PS | 7 pieces | 1274970 | 29.00 |
| Late 76-77 with L-82 AC or Heavy Duty Radiator | RS | 7 pieces | 1274972 | 29.00 |
| 78 L-48 with AC | QS | 7 pieces | 1274971 | 29.00 |
| 78 L-82 except AC | QT | 7 pieces | 1274973 | 29.00 |
| 78 L-82 with AC | RT | 7 pieces | 1274974 | 29.00 |

- N Early 76 except AC Radiator Seal 5 Piece Set
- O Early 76 with AC Radiator Seal 5 Piece Set
- P Late 76-78 exc AC, L-82, Hd Radiator Seals
- Q Late 76-78 with L-48, AC or L-82 Rad Seals
- R Late 76-78 with L-82 AC Or Hd Radiator Seals
- S 76-77 All & 78 L-48 Air Dam & Duct 3 Piece Set
- T 78 L-82 Air Dam & Air Duct 3 Piece Seal Set
- U Early 76 Fan Shroud Seal 4 Piece Set



76-78 All KITS



How to Tell Early 76 from Late 76

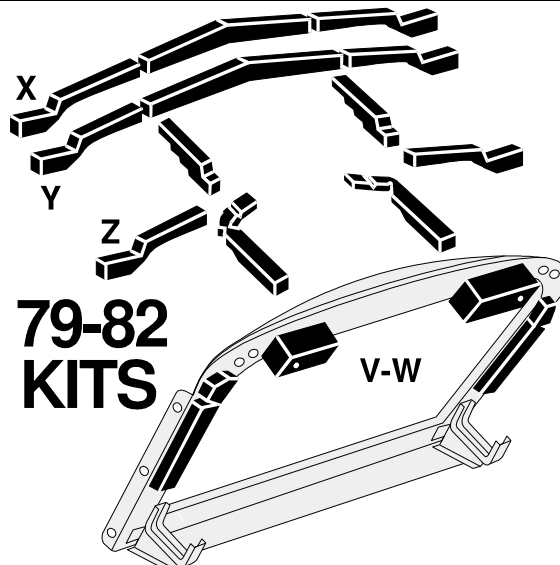
Early 76 uses 5 seals pieces on the radiator and 4 seals on the fan shroud; **Late 76** uses 4 seal pieces on the radiator and NO seals on the fan shroud.

79-82 Seal Kits

This Model Includes Items

| | | | | |
|--|----|----------|---------|-------|
| 79 except L-82, AC or Heavy Duty Radiator | VX | 7 pieces | 1274976 | 29.00 |
| 79 with L-82, AC or Heavy Duty Radiator | WX | 7 pieces | 1274977 | 29.00 |
| 80-81 except L-82, AC or Heavy Duty Radiator | VY | 9 pieces | 1274978 | 34.00 |
| 80-81 with L-82, AC or Heavy Duty Radiator | WY | 9 pieces | 1274979 | 34.00 |
| 82 All Models | VZ | 8 pieces | 1274980 | 32.00 |

- V 79-80 except L-82, AC or HD Radiator or 81 except HD Radiator or 82 All Radiator Support Seal 4 Piece Set
- W 79-80 with L-82, AC or HD Radiator or 81 with HD Radiator Support Seal 4 Piece Set
- X 79 All Air Dam & Duct Seal 3 Piece Set
- Y 80-81 All Air Dam & Duct Seal 5 Piece Set
- Z 82 All Air Dam & Air Duct Seal 4 Piece Set



79-82 KITS

76-82 Owners Please Read before ordering

The main determining factor in selecting these 76-82 kits is the radiator's thickness i.e. 2" thick or 2 5/8" thick. Those Seal Kits that specify A.C., L-82 or Heavy Duty radiator are usually used with a 2 5/8" thick radiator. The 2" thick radiator usually was used on L-48 or non-A.C. models or those without a heavy duty radiator. Since the radiator in your model may have been replaced with a thicker one or a thinner one -- **Please check** the thickness of your radiator's core before ordering to avoid errors.

Thank you.