

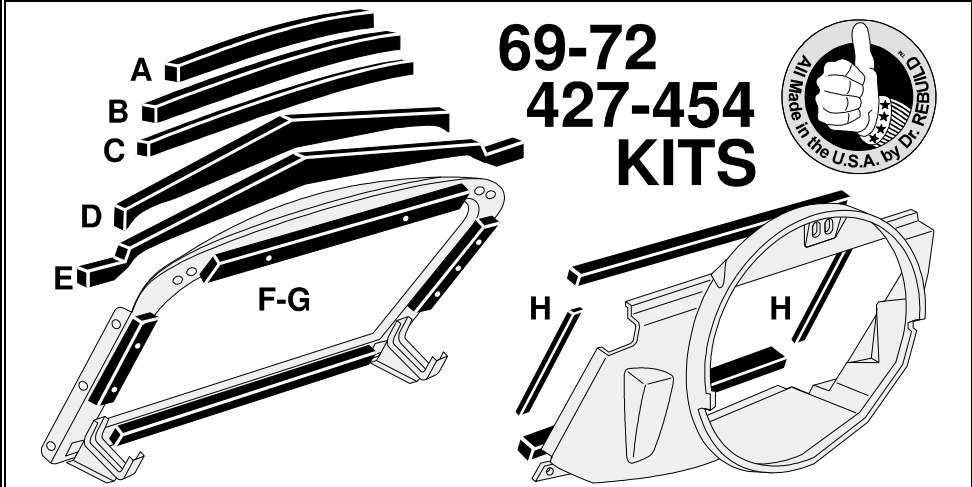
**69-72 427 and 454 Seal Kits**

**This Model Includes Items:**

Early 69 427	AFH	9 Pieces	1274939	39.00
Late 69 427	BGH	9 Pieces	1274963	41.00
All 70 454	CGH	9 Pieces	1274964	41.00
All 71 454	DGH	9 Pieces	1274965	51.00
All 72 454	EGH	9 Pieces	1274966	51.00

- A** Early 69 427 Radiator To Hood Air Dam Seal
- B** Late 69 427 Radiator To Hood Air Dam Seal
- C** 70 454 Radiator To Hood Air Dam Seal
- D** 71 454 Radiator To Hood Air Dam Seal
- E** 72 454 Radiator To Hood Air Dam Seal
- F** Early 69 427 Radiator Support 4 Piece Set
- G** Late 69-72 Radiator Support 4 Piece Set
- H** 69-72 Plastic Shroud 4 Piece Seal Set

**How to Tell Early 69 427 from Late 427**  
**Early 69** does not use PIF = Push in Fasteners to mount the radiator seals to the support - thus these seals do not have mtg holes. **Late 69** uses PIF and has holes.



**69-72  
427-454  
KITS**



**69-72 350 Seal Kits  
Copper Radiator & Plastic Shroud**

**This Model Includes Items:**

Early 69 350	AEGHI	11 Pieces	1274935	48.00
Late 69-70 350	BFGHI	11 Pieces	1274960	51.00
All 71 350	CFI	9 Pieces	1274962	51.00
All 72 350	DFI	9 Pieces	1274938	51.00

- A** Early 69 350 Short Radiator Air Dam
- B** Late 69-70 350 3 Piece Radiator Air Dam
- C** 71 350 Radiator to Hood Air Dam Seal
- D** 72 350 Radiator to Hood Air Dam Seal
- E** Early 69 350 Radiator Support 4 Pc Seal St
- F** Late 69-72 Radiator Support 4 Pc Seal Set
- G** 68-70 Lower Baffle Front Seal With PSA
- H** 68-70 Lower Baffle Rear Seal With PSA
- I** 69-72 Plastic Fan Shroud 4 Piece Seal Set
- J** 68-72 Steel Fan Shroud "U" Shaped Seal
- K** 68-72 Steel Shroud Auxiliary Seal With PSA

**How to Tell Early 69 350 from Late 350**  
**Early 69** uses a short 1 piece air dam; **Late 69** uses a 3 piece air dam. If your air dam is missing, inspect the top of the radiator support for residue of the glue to help determine your application. **Early 69** radiator support seals do not use PIF = Push In Fasteners to attach the seals, thus the seals do not have mtg holes. **Late 69** uses PIF and have holes.

**69-72 350 Seal Kits  
Aluminum Radiator & Steel Shroud**

**This Model Includes Items:**

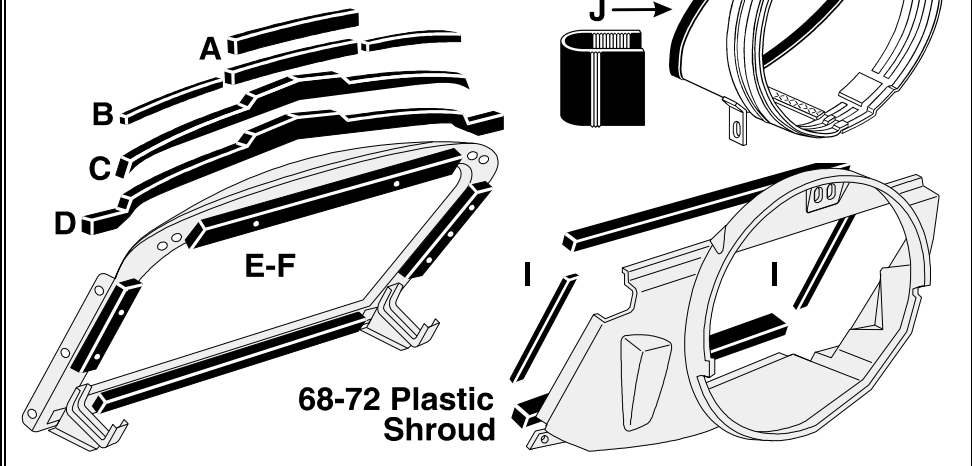
Early 69 350	AEGHJK	9 pieces	1274941	46.00
Late 69-70 350	BFGHJK	11 pieces	1274942	54.00
All 71 350	CFJK	7 pieces	1274943	54.00
All 72 350	DFJK	7 pieces	1274944	54.00

**? Zip Products Research ?**

We do not offer 69-72 Seal Kits for 350 with Aluminum Radiators using a Plastic Fan Shroud - because 69-72 Corvettes only used Aluminum Radiators with Steel Fan Shrouds. Another example of the in-depth hands-on research at Zip Products. LOL

**69-72 350 KITS**

NOTE: for STEEL SHROUDS substitute Parts J and K for I

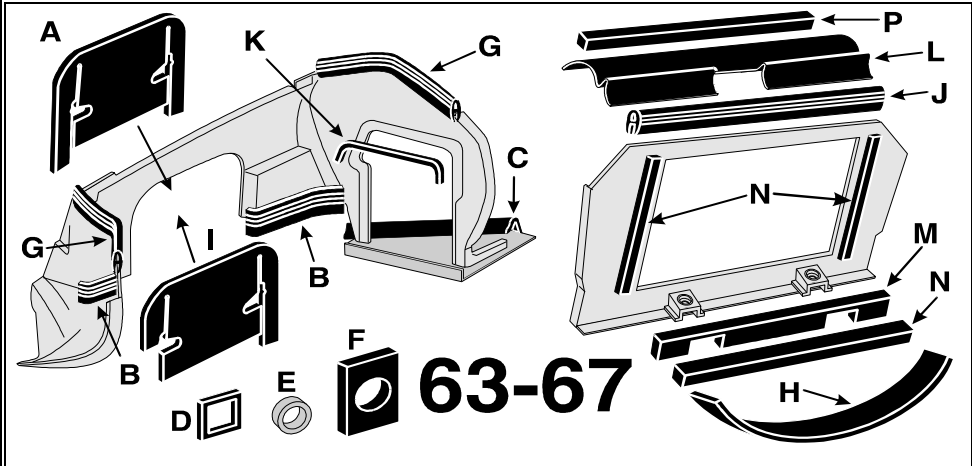


**63-67 Engine Cmpt Seal Kit**

**This Model Includes Items:**

63 except AC	ABCDEFH	12	1274910	39.00
63 with AC	ABCDEFHK	13	1274911	42.00
64-65 except AC	ABCDEFHG	16	1274912	39.00
64-65 with AC	ABCDEFHGK	17	1274913	42.00
65 with 396	ABCDEFGJK	17	1274914	55.00
66 except AC	ABCDEFG	15	1274915	39.00
66 with AC 327	ABCDEFGKLM	18	1274916	68.00
66 with AC 427	ABCDEFGKLN	21	1274917	68.00
67 except AC	BCDEFGI	15	1274918	39.00
67 with AC 327	BCDEFGIKLM	18	1274919	68.00
67 with AC 427	BCDEFGIKLN	21	1274920	68.00

- A** 63-66 A-Frame Dust Seals Pair
- B** 63-67 Lower Front & Rear Skirt Seal 4 Pc St
- C** 63-67 Splash Pan Edge Seal Pair
- D** 63-67 Fuse Box Firewall Seal
- E** 63-67 Wiper Motor Firewall Seal
- F** 63-67 Steering Column Firewall Seal
- G** 64-67 Upper Skirt Front & Rear Seal 4 Pc St
- H** 63-65 Lower Fan Shroud Seal
- I** 67 A-Frame Dust Seal Pair
- J** 65 396 Radiator Support Air Dam
- K** 63-67 A.C. Or 396 Battery Filler Panel Seal
- L** 66-67 A.C. Radiator Air Dam With Mtg. Clips
- M** 66-67 A.C. 327 Lower Radiator Support Seal
- N** 66-67 A.C. 427 Radiator Seal 3 Piece Set
- P** 66-67 A.C. 427 Upper Fan Shroud Seal



**63-67**