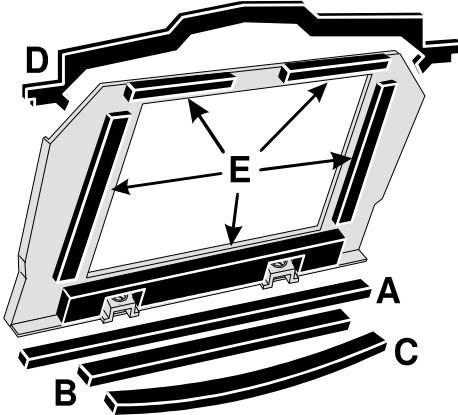


68 327



327 Fan Shroud Seals are Not Illustrated

68 Seal Kits

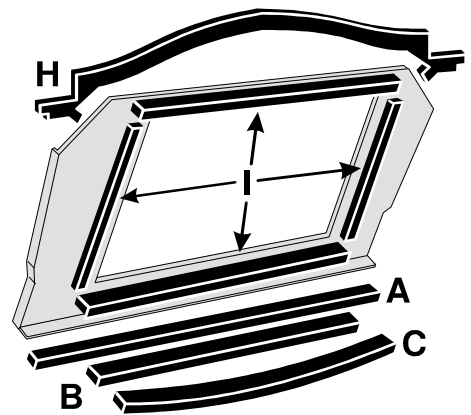
NOTE: Examine your Fan Shroud before ordering and Specify a Steel Shroud or a Plastic Shroud

Shroud Type	Pieces			
68 327 Steel	ABCDEFGF	11 pcs	1274932	73.00
68 327 Plastic	ABCDIJ	9 pcs	1274933	58.00
68 427 Steel	ABCFGHI	10 pcs	1274931	59.00
68 427 Plastic	AHIJ	7 pcs	1274934	48.00

Individual Parts

- A 68 Radiator Support Bottom Edge Seal
- B 68 Lower Baffle Front Seal With PSA
- C 68 Lower Baffle Rear Seal With PSA
- D 68 327 Radiator To Hood Air Dam
- E 68 Aluminum Radiator Support 5 Pc Seal Set
- F 68 Steel Fan Shroud "U" Seal
- G 68 Steel Shroud Auxiliary Upper Seal
- H 68 427 Radiator To Hood Air Dam
- I 68 Copper Radiator Support 4 Piece Seal Set
- J 68 Plastic Fan Shroud Seal With PSA

68 427



427 Upper Shroud Seal Is Not Illustrated

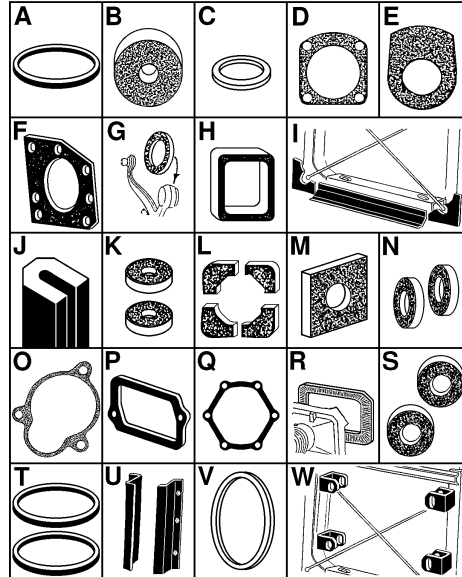
58-62 Engine Compartment And Chassis Seal Kits

58-62 Seal Kits

Restores Authentic Appearance
all die cut, similar material & patterns
Saves Time - includes most seals
needed to restore engine compartment
Reduces Routine Maintenance
prevents dirt and debris from entering
the engine compartment
Helps Reduce Cockpit Drafts,
Noise & Leaks seals the cockpit from
the engine compartment

Includes Items	Pieces			
58-62 1x4 Kit A-S	28 pcs	1274904	73.85	
58-61 2x4 Kit B-U	30 pcs	1274905	81.60	
58-62 F.I. Kit B-SUV	30 pcs	1274906	79.40	
* 60-61 2x4 Kit B-UW	34 pcs	1274907	94.30	
* 60-61 F.I. Kit B-SUVW	34 pcs	1274908	94.80	
* 61 1x4 Kit A-SW	32 pcs	1274909	87.00	

* = Models with a Tank Top Radiator



58-62 Individual Parts

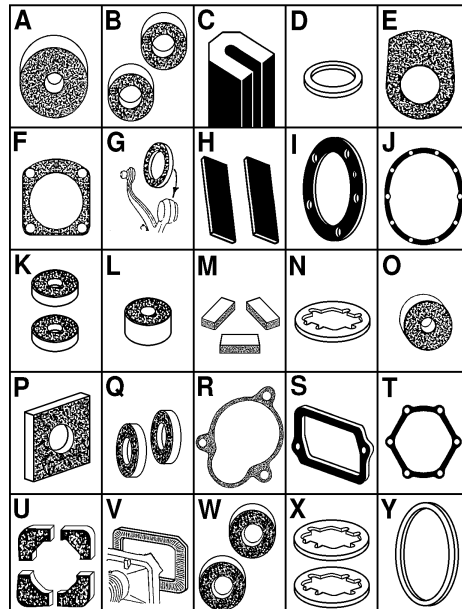
- A 58-62 WCFB 1x4 Carb to Air Cleaner Seal
- B 58-62 Accelerator Rod Firewall Seal
- C 58-62 Master Cylinder Cap Gasket
- D 58-62 Steering Box Cover Plate Gasket
- E 58-62 Inner Steering Column Firewall Seal
- F 58-62 Outer Steering Column Firewall Seal
- G 58-62 Steering Third Arm Bearing Seal
- H 58-62 Wiper Motor Plate Firewall Seal
- I 58-62 Radiator Support 3 Piece Seal Set
- J 58-62 Splash Pan Edge Seals, Pair
- K 58-62 Battery Terminal Felt Seals, Pair
- L 58-62 Battery Retainer Spacer 4 Piece Set
- M 58-62 Clutch Pushrod Firewall Seal
- N 58-62 Clutch Cross Shaft Seals, Pair
- O 58-62 Generator Tach Drive Housing Seal
- P 58-62 Voltage Regulator Cover Seal
- Q 58-62 Water Pump Rear Cover Plate Seal
- R 58-62 Heater Box Outer Firewall Seal
- S 58-62 Heater Hose Firewall Seals, Pair
- T 58-61 WCFB 2x4 Carb Air Cleaner Seals, Pair
- U 58-62 2x4 or FI Radiator Side Seals, Pair
- V 58-62 F.I. Air Cleaner Seal
- W 60-61 Tank Top Radiator Side Seal 4 Piece St

53-57 Engine Compartment And Chassis Seal Kits

53-57 Seal Kits

Restores Authentic Appearance
all die cut, similar material & patterns
Saves Time - includes most seals
needed to restore engine compartment
Reduces Routine Maintenance
prevents dirt and debris from entering
the engine compartment
Helps Reduce Cockpit Drafts,
Noise & Leaks seals the cockpit from
the engine compartment

Includes Items	Pieces			
53-55 6 Cyl Kit A-M	19 pcs	1274900	49.60	
55-57 1x4 Kit C-W	30 pcs	1274901	73.85	
56-57 2x4 Kit C-MO-X	31 pcs	1274902	76.00	
57 F.I. Kit C-MO-WY	31 pcs	1274903	76.00	



53-57 Individual Parts

- A 53-55 6 Cylinder Accelerator Rod Seal
- B 53-55 Heater Hose Firewall Seals, Pair
- C 53-57 Splash Pan Edge Seals, Pair
- D 53-57 Master Cylinder Cap Gasket
- E 53-57 Steering Column Inner Firewall Seal
- F 53-57 Steering Box Side Cover Seal
- G 53-57 Steering Third Arm Bearing Seal
- H 53-57 Fuel Tank Anti-Squeak Pads, Pair
- I 53-57 Fuel Tank Sender Seal
- J 53-57 Differential Cover Seal
- K 53-57 Battery Terminal Felt Seals, Pair
- L 53-57 Spare Tire Bolt Frame Seal
- M 53-57 Jack Cover Cushion 3 Piece Set
- N 55-57 1x4 WCFB Carb To Air Cleaner Seal
- O 55-57 Accelerator Firewall Seal
- P 55-57 Clutch Pushrod Firewall Seal
- Q 55-57 Clutch Cross Shaft Seals, Pair
- R 55-57 Generator Tach Drive Housing Seal
- S 55-57 Voltage Regulator Cover Seal
- T 55-57 Water Pump Rear Cover Plate Seal
- U 56-57 Battery Retainer Spacer 4 Piece Set
- V 56-57 Heater Box Outer Firewall Seal
- W 56-57 Heater Hose Firewall Seals, Pair
- X 56-57 2x4 WCFB Carb to Air Cleaner Seals Pr
- Y 57 F.I. Air Cleaner Seal

All of these Engine Compartment and Chassis Seals are manufactured by Doc Rebuild from authentic samples & OEM Factory Blueprints - NOT other repro's.