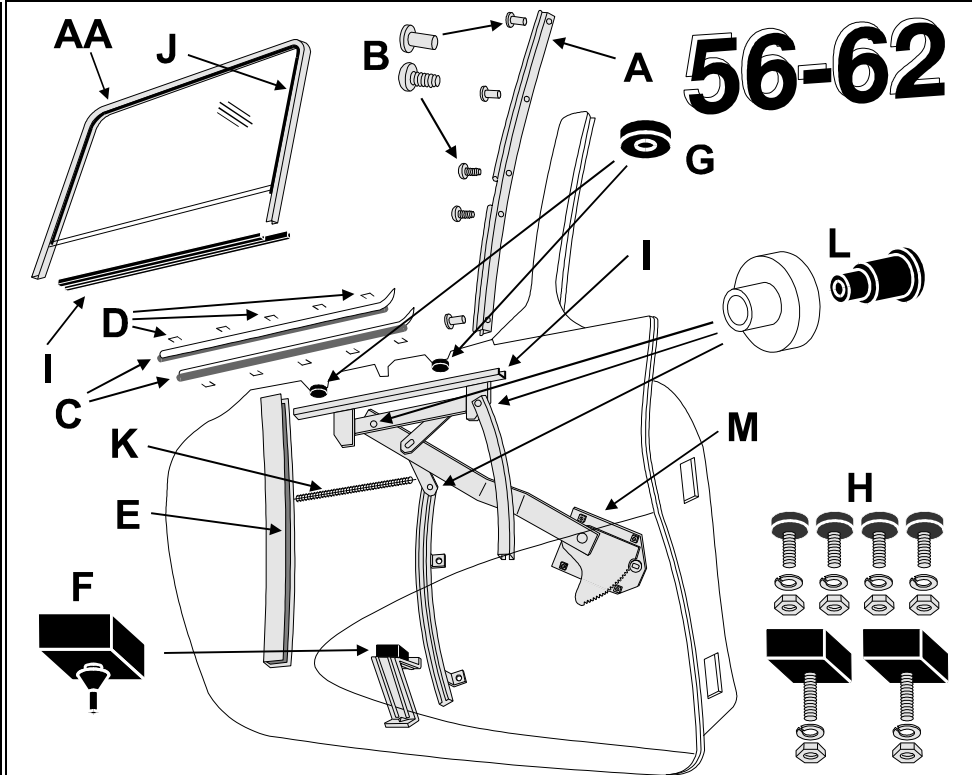


Inner Door Parts

- AA 56-62 Door Glass Stainless Sash**
This formed channel surrounds the upper, front and rear sides of the glass. 2 reqd. 1009547 199.00
- 56-62 Door Glass Lower Sash Channel**
This formed channel surrounds the lower side of the glass. Zinc Plated. 2 reqd. 1009667 59.50
- A 56-62 Front Window Vertical Run**
This channel has a chrome bead, die cut notch & 5 pre-punched holes. Are White stitches really worth an extra Fourty Bucks? 2 reqd. 1071021 17.25
- B 56-62 Front Run 10 Piece Mounting Kit**
10 Piece kit includes 4 screws & 6 rivets. Does 1 car. 1071018 5.75
- C 56-62 Horizontal Window Seal Set**
4 Pieces includes 2 inner and 2 outer seals that are formed & die bent with chrome bead & with the "cat whiskers". Install these and save Fourty Bucks over others products. Does 1 car 1071023 38.50
- D 56-62 Horizontal Seal Staple Mount Kit**
20 pieces set. Does 1 car 1071017 5.75
- E 56-62 Rear Window Channel Liners**
Black material, glue these into the rear channels with weatherstrip adhesive. 2 reqd 1071022 6.00
- F 56-62 Door Lower Window Stops**
Square molded rubber bumper mount in lower stop brackets. Pair Does 1 car 1071013 10.00
- G 56-62 Door Upper Window Stop Set**
These 4 molded rubber caps slip over upper stop screws. **NOTE:** if your upper stop screws are missing order the following kit instead of the this kit. Does 1 car 1071012 7.50



- H 56-62 Door Window Stops 6 Piece Set**
Includes 2 square lower rubber bumpers with mounting studs, washers & nuts plus 4 round upper rubber bumpers with studs, washers & nuts. Does 1 car. 1071024 35.00
- I 56-62 Glass Lower "W" Seals**
"Sometimes Only the name is the same"TM
We manufacture the **only** authentic Repro. Brand CC must be cut for the left & right side specific versions. These "W" shaped seals channel rain water away from the internal door mechanism. After 30 years they become brittle and crack. When attempting their removal they usually crumble into pieces. Authentic features include the authentic rubber material, hardness and profile including the ribs necessary to block water entry from the metal channel. LH and RH Set Does 1 car. 1071020 27.50
- J 56-62 Glass To Sash Liner Tape OEM**
Holds the door glass in the stainless frame. Pair Does 1 car. 1071062 12.50
- K 56-62 Door Lock Rod Anti-Rattle**
White woven tubular fabric slip over the lock rods. Does 1 car. 1071015 9.50
- L 56-62 Window Regulator Roller & Rivet Set**
If your rollers are cracked, missing or have flat spots, you cannot raise or lower the door glass with ease. Includes 8 nylon rollers that mount to the regulator & glass guides, plus 8 special mtg rivets. Does 1 car. 1079752 18.00
- M 59-62 Window Regulator**
Moves window up & down when you wind crank handle. LH Regulator except PW NOS 1079720 250.00
RH Regulator except PW 1079721 Disc
- 56-62 Power Window Conversion Kit**
Includes Regulators, Motors, Conduit, Harness, Switches Does 1 car. 1071192 648.00

Door Handle

- N 56-62 Door Handles**
Includes LH & RH handles complete with push buttons, retainers, springs, screws & gaskets. 1051510 84.95
 - O Door Handle Gasket 4 Piece Set**
Die cut rubber. Does 1 car. 1051519 4.00
 - P Door Handle Mounting Screws Set**
4 screws & star washers. Does 1 car. 1051530 2.50
 - Q Door Handle Push Button Set**
Chrome LH & RH Pair with springs, gaskets and retainers. Pair Does 1 car. 1051512 36.00
-
- R Push Button Bumpers**
Molded Rubber Pair. Does 1 car. 1051520 3.50
 - S Push Button Springs**
Pair Does 1 car. 1051513 4.00
 - T 56-62 Push Button Rod Kit**
Includes 2 springs, 2 washers & 2 cotter pins required to mount the rods to the push button. Does not include the threaded rods. Does 1 car. 1051509 11.95

Door Lock

- U Lock Cylinder see Lock Section Page 119**
 - V Lock Cylinder Gaskets**
Use on door or trunk locks. Die cut sheet rubber prevents water damage. Pair 1077820 1.95
 - W Door Lock Cylinder Bezel**
Authentic Stainless Steel. 2 reqd 1224828 7.95
 - X 56-62 Lock Cylinder Retainer**
Authentic design spring steel; Cadmium plated for corrosion resistance; 2 reqd 1077827 7.95
 - Y 56-61 Door Lock Striker**
These LH & RH die cast assemblies are just what the Doctor ordered & include the white nylon spring loaded push buttons. The small rubber bumpers used on some models require that a small mounting hole be drilled. Pair Does 1 car 1045016 87.50
 - Y 56-61 LH Door Lock Striker NOS**
These are the Genuine GM. Left Only 1045010 150.00
 - Z 56-62 Lock Striker Screw 6 Piece Set**
These are the authentic oddball size countersunk phillips screw with the integral star washers & Zinc plating finish. Does 1 car 1045017 8.00
-
- AA 56-62 Striker Rubber Bumpers**
Molded rubber Pair. Does 1 car. 1045020 15.00
 - BB 56-62 Bumper Mounting Screws**
Pair Does 1 car. 1045021 1.90