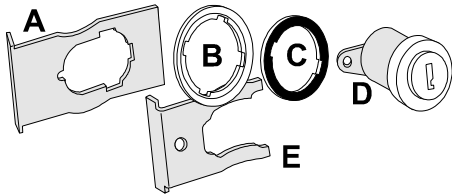


**Door Lock Cylinder**

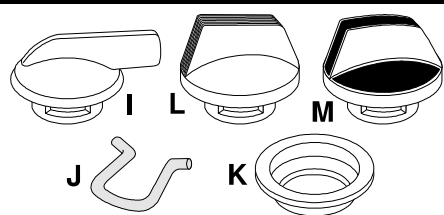


- A** 56-67 Door Lock Cylinder Retainer authentic Cadmium plating spring steel **2 reqd.** 1077827 **7.95**
- B** 56-67 Lock Cylinder Bezel Authentic Stainless Steel. **2 reqd.** 1224828 **7.95**
- C** 53-82 Lock Cylinder Gasket for Door, Trunk, or Alarm switches. Die Neoprene sheet rubber prevents water damage. Pair 1077820 **1.95**
- D** 69-82 Coded Lock Cylinder Assemblies keyed alike with 2 keys. **Does 1 car.** (78-8 Replacement =No alarm)  
68-77 Keyed Door Locks Pair 1055040 **29.50**  
68-77 Import Door Locks Pair 1055103 **24.00**
- E** 68-82 Lock Cylinder Retainers Pair **Does 1 car.** 1055042 **4.95**  
56-67 Door Lock Rod Mounting Clip **6 Piece Set Does 1 car.** 1051504 **5.75**

**Door Hinge**

- F** 53-82 Door Hinge Bushing **8 Piece Set**  
Brass bushing set. **Does 1 car** 1077815 **6.25**
- G** 53-67 Door Hinge Pin Cut as required; **4 reqd.** 1077817 **2.50**
- G** 68-82 Door Hinge Pin **4 reqd.** 1077818 **4.00**
- 68-82 Hinge Pin & Bushing **12 Pc Set** 1077756 **18.50**
- 63-67 Hinge Shim the authentic One 1077825 **4.00**
- 68-82 Hinge Shim the authentic One 1077810 **6.00**
- 68-82 Upper Hinge Cover Gaskets  
Black sponge rubber with P.S.A. Helps reduce drafts & unwanted road noises. Pair 1045072 **7.95**
- 68-82 Door Hinges *Select Upper, Lower, LH, RH*  
**Upper LH** 1077811 **123.00** **RH** 1077812 **0.00**  
**Lower LH** 1077813 **80.00** **RH** 1077814 **95.00**
- 68-82 Hinge Repair "S" Spring repairs broken hinges; allows door to stay open, without slamming closed. "Only the name is the same"™ 1077830 **9.00**
- 68-82 "S" Spring Mounting Tool simplifies installation of the above "S" springs 1077831 **12.00**

**Door Inside Lock**



- I** 56-62 Door Lock Knob Chrome plated. **2 reqd.** 1045018 **20.00**
- J** 56-77 Lock Knob Retainer Pair U-shaped spring steel. **Does 1 pair** 1045019 **1.90**
- K** 63-77 Lock Knob Nylon Bearing NOS Pair 1045031 **4.95**
- L** 65-66 Inside Door Lock Knob **2 reqd.**  
Chrome plated. NOS GM 1045032 **0.00**  
Chrome plated. *Repro* 1045003 **20.00**
- 67 Inside Door Lock Knob Chrome plated. **2 reqd.** 1045034 **37.95**
- M** 68-77 Door Inside Lock Knob Chrome plated. **2 reqd.** 1045038 **12.20**
- 78-82 Inside Release Push-Pull Button Chrome plated. **2 reqd.** 1045040 **4.75**
- 80-82 Power Door Lock Actuator **2 reqd** 1077835 **39.00**

**Lock Sets**

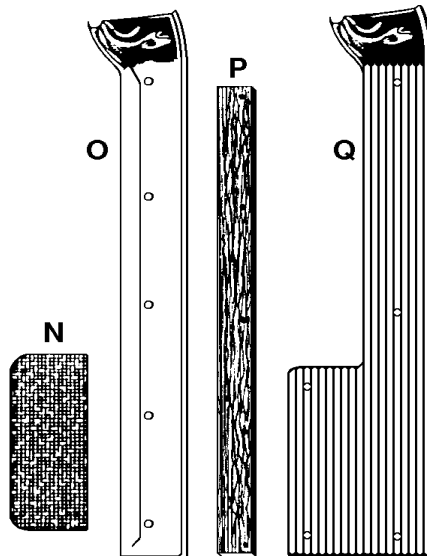
- Authentic faces, style keys & all keyed alike !
- 56-60 Authentic Convoluted Lock Face 1055099 **4.95**
  - Ignition, 2 Doors, Glove Box & Trunk Lock Set**
  - 56-60 **5 Lock Set** Does 1 car 1055011 **108.50**
  - 61-62 **5 Lock Set** Does 1 car 1055020 **102.50**
  - Ignition, 2 Doors & Glove Box Lock Set**
  - 63-64 **4 Lock Set** Does 1 car 1055025 **92.50**
  - 65 **4 Lock Set** Does 1 car 1055027 **99.50**
  - 66-67 **4 Lock Set** Does 1 car 1055031 **98.50**
  - 68 Ignition & Rear Cmpnt Lock **2 Piece Set** 1055037 **59.95**
  - 69-77 Ignition, 2 Doors & Rear Compartment Lock  
Authentic coded to 2 keys; Aftermarket coded to 3 keys.  
Authentic **4 Piece Set** Does 1 car 1055038 **81.95**  
Aftermarket **4 Piece Set** Does 1 car 1055102 **59.95**

**53-82 Key Blanks**

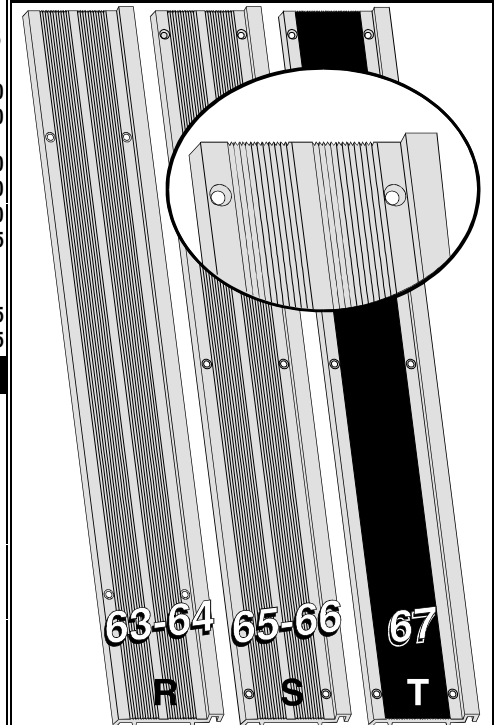
- Oval or Round keys are used on the Doors & Glove Box; Octagon or square keys are used on the Ignition. Key way codes not used on 53-66.
- | Years       | Key Way & Type        |           |      |
|-------------|-----------------------|-----------|------|
| 53-66       | Round                 | 1224827   | 4.50 |
| 53-66       | Octagon               | 1224817   | 4.50 |
| 67 only     | "A" Octagon           | 1056310   | 7.50 |
| 67 only     | "B" Round             | 1056311   | 7.00 |
| 68 only     | "C" Octagon           | 1056312   | 5.90 |
| 68 only     | "D" Round             | 1056313   | 5.90 |
| 69-82 Keys  | 7.50/3 9.00/4 10.00/5 | No Mixing |      |
| 71 75 79    | "A" Square            | 1056301   | 2.75 |
| 71 75 79    | "B" Oval              | 1056302   | 2.75 |
| 72 76 80    | "C" Square            | 1056303   | 2.75 |
| 72 76 80    | "D" Oval              | 1056304   | 2.75 |
| 69 73 77 81 | "E" Square            | 1056305   | 2.75 |
| 69 73 77 81 | "H" Oval              | 1056306   | 2.75 |
| 70 74 78 82 | "J" Square            | 1056307   | 2.75 |
| 70 74 78 82 | "K" Oval              | 1056308   | 2.75 |

**56-62 Door Sill Plates**

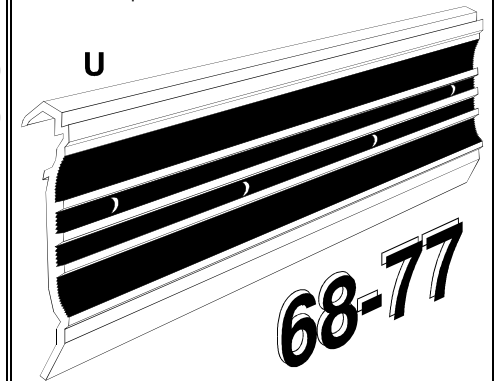
- Quality Parts Made in the U.S.A.**
- N** 56-60 *Stainless Steel* Step Plates  
Polished with no skid "Diamond plate" type embossed pattern as OEM Pair 1117527 **76.75**
  - O** 56-60 *Stainless Steel* Door Sill Plates  
A quality reproduction. Pair 1117525 **188.00**
  - P** 56-60 *White Oak* Sill Plate Spacers  
Mounts under sill plates. 1117526 **24.95**
  - Q** 61-62 *Aluminum* Door Sill Plates  
Die stamped Aluminum, bright Silver Anodized plating finish, includes LH & RH plates plus kiln dried White Oak spacer set. Pair 1117522 **199.00**
  - 61-62 Door Sill Plate *Oak* Spacer Set  
Does 1 car. 1117523 **24.50**



**63-82 Door Sill Plates**



- Extruded Aluminum with anti skid ribs and bright dipped after clear anodized finish as original. **2 reqd** on all. **Note:** we have always had the USA parts and only now have added the imports to be competitive on price, but they do not match the USA ones for quality and finish.
- | Compare prices & quality                                     | Each         | Pair         |
|--|--------------|--------------|
| <b>R</b> 63-64 <b>4 Hole</b> sill plate <b>China</b> 1117516 |              | <b>34.95</b> |
| <b>R</b> 63-64 <b>4 Hole</b> sill plate <b>USA</b> 1117532   | <b>18.50</b> |              |
| <b>S</b> 65-66 <b>6 Hole</b> sill plate <b>China</b> 1117518 |              | <b>34.95</b> |
| <b>S</b> 65-66 <b>6 Hole</b> sill plate <b>USA</b> 1117534   | <b>18.50</b> |              |
| <b>T</b> 67 <b>6 Hole</b> sill plate <b>China</b> 1117520    |              | <b>46.95</b> |
| <b>T</b> 67 <b>6 Hole</b> sill plate <b>USA</b> 1117536      | <b>24.50</b> |              |
| <b>U</b> 68-77 Sill plate <b>China</b> 1117512               |              | <b>38.50</b> |
| <b>U</b> 68-77 Sill plate <b>USA</b> 1117538                 | <b>21.00</b> |              |
| 78-82 Sill plate <b>China</b> 1117514                        |              | <b>26.95</b> |
| 78-82 Sill plate <b>USA</b> 1117540                          | <b>16.00</b> |              |



**Sill Plate Screw Sets**

- Each set does both door sill plates for 1 car.
- |   |             |
|---|-------------|
| 56-60 Sill <b>10 Piece</b> Chrome Set 1117624 | <b>3.00</b> |
| 56-60 Step <b>8 Piece</b> Chrome Set 1117628  | <b>3.30</b> |
| 61-62 Sill <b>10 Piece</b> Chrome Set 1117623 | <b>3.50</b> |
| 63-64 Sill <b>8 Piece</b> Chrome Set 1117542  | <b>3.75</b> |
| 65-67 Sill <b>12 Piece</b> Black Set 1117544  | <b>4.25</b> |
| 68-77 Sill <b>8 Piece</b> Chrome Set 1117546  | <b>3.75</b> |
| 78-82 Sill <b>8 Piece</b> Chrome Set 1117548  | <b>3.25</b> |