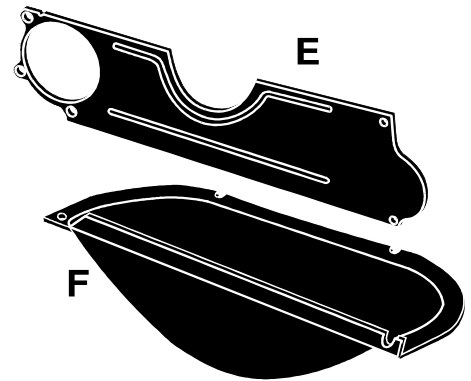


Clutch Covers

E 55-62 Clutch Inspection Cover <i>Repro</i>	3787919	27.00
E 55-62 Clutch Inspection Cover <i>GM</i>	3787920	27.50
55-62 Inspection Cover Mounting Screw 4 Piece Set Phillips head with star washers.	3787901	2.95
F 55-62 Clutch Under Pan	3787930	53.75
55-62 Clutch Under Pan Mounting Screw 4 Piece Set slotted head with star washers.	3787901	2.95
55-62 Bell Housing to Block 12 Piece Mounting Kit Includes 6 ★ Grade 300 bolts & 6 lock washers. Does 1 car.	3787916	6.40

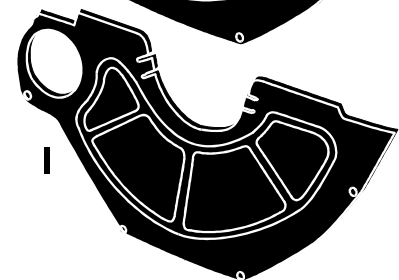
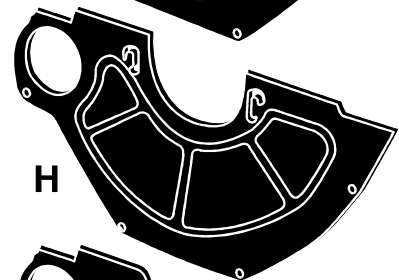
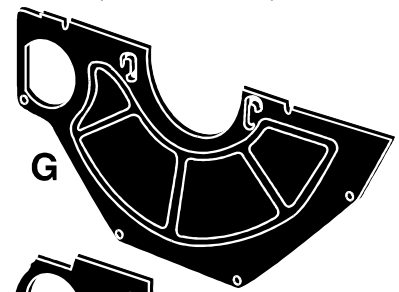


55-62 Clutch Linkage

A 55-62 Clutch Pedal Shaft Bushings Molded plastic, 2 reqd	3787805	1.95
B 55-62 Clutch Pedal Shaft Mounting Washer with Cotter Pin	3787810	1.95
C 59-62 Push Rod to Clutch Pedal Mounting Special Thick Washer.	3787620	2.00
D 55-62 "R" Clip 3 Piece Set	3787610	2.90
E 55-62 Authentic Pedal Bumper	3787804	2.00
F 55-62 Felt Firewall Seal	3787701	4.25
G 55-62 Firewall Seal Retainer 7 Piece Kit Includes Steel Retainer, 2 Screws, 2 Flat & 2 Lock Washers. Paint as reqd.	3787702	12.00
H 55-62 Shoulder Bolt Bushing - Rubber with Steel Jacket Replacement Bushing	3787109	12.00
OEM Bushing	3787602	14.00
I 56-62 Clutch Shoulder Bolt with Nut, Lock and Flat Washer Caution: Torque should not exceed 70 foot lb.	3787603	14.50
J Large Clutch Return Springs with Yellow tip 56-57 Large Return Spring	3787811	17.25
58-62 Large Return Spring	3787800	15.95

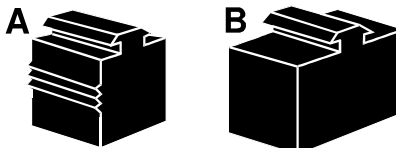
V 55-62 Fork Push Rod mounts between the fork & the cross shaft. NOS	3787401	40.00
V 55-62 above Fork Push Rod <i>repro</i>	3787402	26.25
W 55-62 Fork Rod Spring	3787501	3.50
X 55-62 Fork Assembly <i>repro</i>	3787110	59.00
X 55-62 Fork Assembly NOS 57-62 Fork Repair Spring rivets to fork & allows it to pivot on bellhousing mtg stud NOS	3787101	92.50
57-62 Fork Repair Spring <i>Repro</i>	3787114	8.00
Y 55-62 Fork Swivel Pin	3787405	4.00
Z 55-62 Swivel Cotter Pin	3787408	0.90
AA 63-81 Clutch Fork Mounting Stud in Bell Housing NOS Fork Mounting Stud	3787201	12.75
<i>Repro</i> Fork Mounting Stud	3787202	10.00
AA 55-62 Clutch Fork Mounting Stud Screws into bell housing.	3787201	12.75
BB 55-62 Throw Out Bearing <i>replm</i>	3787108	28.50
BB 55-62 Throw Out Bearing <i>Delco</i>	3787106	39.85
CC 56-62 Clutch Cross Shaft	3787918	65.00
DD 59-62 Clutch Pedal Pushrod Mounting Bracket with Hardened Pin	3787917	27.50

G 63-68 327 & 396, 67-69 L-88, GM not repro 70-72 ZR-1 Inspection Cover	3787922	23.25
Inspection Cover Mounting Screw Sets		
63-66 Inspection Cover Mounting 4 Piece Set: slotted head with star washers.	3787901	2.95
67-81 Inspection Cover Mounting 4 Piece Set hex head with star washers.	3787905	3.25
H 69-74 350, GM not repro 66-74 427-454 Inspection Cover	3787924	29.50
I 75-81 350 Inspect Cover GM not repro	3787926	19.25



Clutch & Brake Pedal Bumper

A 55-72 Clutch Pedal Rubber Bumper Authentic size molded rubber even has the Raised Ribs on the surface; not an over sized replacement. Also use 1 for the brake pedal.	3787804	2.00
--	---------	------



B 73-82 Clutch Pedal Rubber Bumper Authentic size molded rubber. Also use one for the brake pedal bumper.	3787817	5.00
--	---------	------



Lubricate the "Ball Head" of Cross Shaft mounting Studs and their Seats with a Heavy Weight Graphite Grease before re-assembly.

K 55-62 Clutch Return Spring Oval Mounting Plate <i>Repro</i>	3787801	12.00
Mounting Plate NOS	3787799	20.00
L 56-57 X-Shaft Spring Mount Bracket	3851108	18.75
M 58-62 Cross-Shaft Spring Bracket with Ball Stud bolts to cross shaft.	3851110	29.50
N 56-62 X-Shaft Return Spring Bracket 5 Piece Mounting Kit includes 2 Grade 300 bolts, 2 lock washers & 1 flat washer.	3851112	2.95
O 55-62 Cross Shaft Pivot Ball Stud weld to bracket; 2 reqd	3851115	9.50
P 55-62 Cross-Shaft Felt Grease Seal thick die cut dense felt. Pair	3851204	3.50
Q 55-62 Cross-Shaft Frame Mounting Bracket with Ball Stud.	3851111	23.35
R 55-62 Engine Bracket 4 Piece Mounting Kit Includes 2 ★ Grade 300 bolts & 2 lock washers to mount bracket to engine block.	3851114	2.50
S 55-62 Clutch Return Spring Frame Bracket Welds to frame. NOS even have the old factory Yellow GM Part Tags intact.	3787802	35.00
<i>Repro</i> Clutch Return Spring Bracket	3787900	20.00
T Return Spring Mounting Hook 56-57 use 2 pieces; 58-62 use 1	3787814	12.00
U 55-62 Threaded Rod Swivel OEM	3787604	6.50

66-74 427 or 454, 69-81 350 Clutch Bell Housing Re-run cast Aluminum	3787840	249.00
63-82 Bell Housing to Block 12 Piece Mounting Kit with 6 ★ Grade 300 bolts & 6 lock washers	3787916	6.40