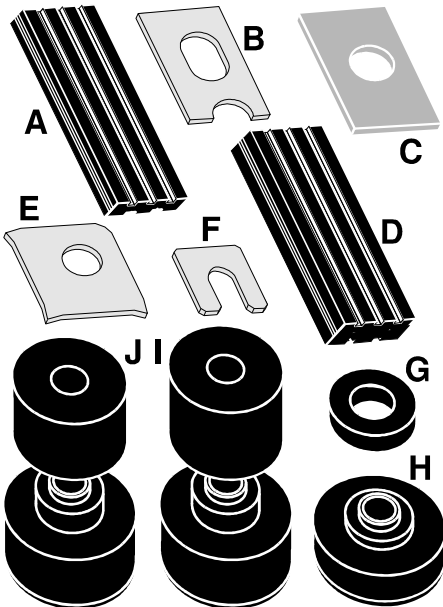


Body Mount Shims and Cushions

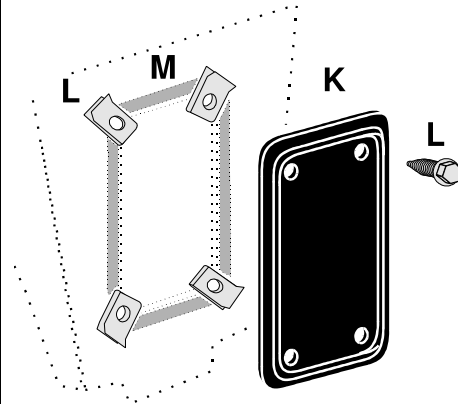
- A** 53-62 Body Mount Cushion **8 Piece Set**
These grooved rubber cushions are undetectably authentic and include the **3 Raised Ribs** on the surface. **Does 1 car.** 9023105 **14.00**
- B** 53-62 Steel Body Shim **10 Piece Set** **NOS**
Authentic design stamped steel with notched end and oval mounting hole. **Does 1 car.** 9023115 **4.25**
- C** 53-62 Body Mount Shim **20 Piece Set**
Although they look similar to the stock cardboard shims, these shims are water proof and will not absorb water or deteriorate. **Does 1 car.** 9023106 **16.00**
- 53-62 Body Mount Hardware **40 Piece Set**
Includes 8 bolts with 8 nuts, 8 flat washer and 8 lock washers. All Grade 5 & Zinc plated. **Note: these bolts do not have starter points.** 9023107 **12.00**
- 56-62 Body Mount Support Reinforcements**
Includes LH & RH Front & Rear Reinforcements that mount under the front & rear side rocker molding area. Also available individually, see **page 191** for individual listing and illustrations.
- 58-59 Aluminum **6 Piece Set** 9023110 **104.50**
- 60-62 Steel **6 Piece Set** 9023108 **104.50**



- D** 63 Only Rear Body Mount **Cushion**
Mounts between the underbody and the differential cross member. Authentic grooved rubber pads even have **Raised Ribs**. **2 reqd** 9023163 **5.00**
- E** 63-82 Bent Corner Body Mount **Shim** Ours are Zinc Plated for longer life than plain **RUSTED** square shims with bent corners. Use as reqd. 9023146 **2.00**
- F** 63-67 Shims **10 Piece Set**
eel U-shaped notched shims. 9023144 **8.50**
- G** 64-67 Small Rubber Upper Body Mount **Cushion**
6 reqd per car. 9023141 **8.50**
- H** 64-67 Large Rubber Lower Body Mount **Cushion**
Includes inner Steel Support. **6 reqd** per car 9023140 **12.50**
- I** 73-82 Authentic Body Mount **Cushion**
Includes upper and lower molded rubber cushions with a steel insert as stock. **8 reqd** on convertible or coupes. 9023142 **19.00**
- J** 73-82 Replacement Body Mount **Cushion**
Includes upper and lower cushions solid mounts. **8 reqd** on coupes or convertibles. 9023143 **18.00**
- 73-82 Body Mount **Bolt** authentic features - Black plated *** Grade 8** hex with an integral flanged washer head. Zip doesn't tell you this info about this part???? **(TIP** coat the threads with a locking compound) **8 reqd.** 9023147 **4.00**
- 73-82 Number 1 Body Mount Bolt **Flanged Nut**
Used with above bolts, **2 reqd.** 9023148 **1.75**

63-82 Rear Body Mount Access Cover Plate

- K** 63-82 Rear Body Mount Cover Plate
Located in the wheel well in front of rear wheels, these are often rusted away from road debris. Not like others, these are die stamped with the **Reinforcing Rib** and painted black. 9023145 **9.50**



- K+L** 63-82 Body Mount Access Plate **20 Piece Kit**
Includes 2 of the above access plates, plus 8 indented hex head sheet metal screws & 8 U-nuts. **Does 1 car.** 9023682 **25.00**
- M** 63-82 Access Plate **Putty Seal**
Press this pliable soft putty into the raised rib on the edge of the access plate prior to mounting in the wheel well. Prevents water damage to the body mount bolt. **Does 1 car.** 9023680 **4.00**

Body Mount Kits

- All Kits Include*
- Zinc Plated Bolts with Starter Points
 - Zinc Plated Nuts, Flat & Lock Washers
 - Rubber, Fiber or Steel Cushions & Shims as required **Why Pay More ?**
 - 53-57 Body Mount Kit with Radiator Mounting Kit 9023121 **82.00**
 - 58-62 Body Mount Kit 9023122 **72.00**
 - 58-62 Body Mount Kit with Radiator Mounting Kit 9023123 **77.00**
 - 63 All Body Mount Kit 9023130 **79.50**
 - 64 **Convertible** Body Mount Kit 9023133 **79.50**
 - 64 **Coupe** Body Mount Kit 9023134 **79.50**
 - 65-67 **Convertible** Body Mount Kit 9023133 **79.50**
 - 65-67 **Coupe** Body Mount Kit 9023134 **79.50**
 - 68-72 All Body Mount Kit 9023135 **89.00**
 - 73-75 **Convertible** Body Mount Kit 9023136 **148.50**
 - 73-82 **Coupe** Body Mount Kit 9023137 **148.50**

53-62 Oval Head Rivets

These Oval Head Solid Aluminum Assembly Rivets are used to attach virtually every brackets to the fiber glass inner fender skirts, firewall, doors, trunk and underbody.

Size	Pkg of 25	Pkg of 100
3/16" x 1/4"	9024250 6.00	9025250 12.00 Pkg
3/16" x 3/8"	9024375 6.00	9025375 12.00 Pkg
3/16" x 1/2"	9024500 6.00	9025500 12.00 Pkg
3/16" x 5/8"	9024675 6.00	9025675 12.00 Pkg

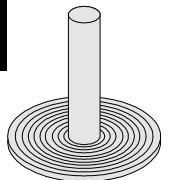
53-62 OEM Part #'s	Dia x Length
441310	3/16" x 5/16"
455625	3/16" x 3/8"
455627 or 9409249	3/16" x 7/16"
455624	3/16" x 1/2"
455626	3/16" x 9/16"
9401488 9409246	3/16" x 5/8"

How to Determine Rivet Size

Determine the factory part number from an Assembly Manual, or measure the range of parts that are to be assembled. Rivet length is measured from the underside of the head.

63-82 NOS Assembly Rivets

These have all the authentic features: Large 1/2" diameter flat head, 1/16" thick with concentric growth rings on the under side of the head only - not on top. They have proper tempered hardness Aluminum, which easily peens over without using excessive force. This softness allows the 5/8" long shaft to be shortened to any length required. Cut with the wire cutters on most needle nose pliers. During assembly over 200 were used on body. Limited supply available.



Package of 25 OEM Rivets	9024025	6.00 Pkg
Package of 50 OEM Rivets	9024050	11.00 Pkg
Package of 100 OEM Rivets	9024101	22.00 Pkg

63-82 OEM Part #	Length	Grip Range
3828547	3/8"	.08" - .13"
3828548	7/16"	.14" - .19"
3828546 or 3831877	1/2"	.20" - .25"
3828549	9/16"	.26" - .31"
3828550	5/8"	.32" - .37"

Warning / Caveat Emptor

Brand X: this bogus rivet is extremely hard, and therefore it is virtually impossible to peen over without damaging the fiberglass.

Brand Y: has visible concentric rings on top of the head instead of the smooth top - dead give away.

#1 LH	#1 RH	#2 LH	#2 RH	#3 LH	#3 RH	#4 LH	#4 RH

68-72 BODY MOUNT KIT