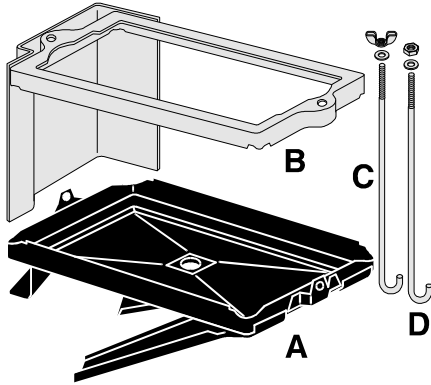
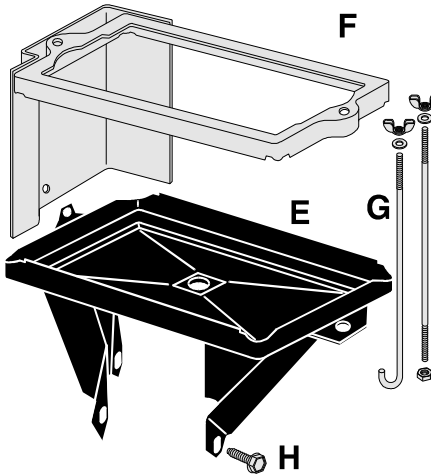


**55-62 Battery**



- A** 55-62 Battery Tray 2333110 71.75
- B** 55-62 Retainer & Shield 2333111 24.95
- C** 55-61 Bolt Kit with 2 J-Bolts, 2 Nuts, 2 Lock Washers & 2 Flat Washers. **Does 1 car.** 2333112 8.00
- D** 62 Bolt Kit with 2 J-Bolts, 2 Wing Nuts, & 2 Washers. **Does 1 car.** 2333113 8.40

**63-66 Battery except A.C. / 396**



- E** 63-66 Battery Tray 2333115 53.50
- F** 63-66 Retainer & Shield 2333116 24.00
- G** 63-66 Bolt Kit with Stud, Nut & J-Bolt with Wing Nuts & Washers. **Does 1 car.** 2333117 10.00
- H** 63-66 Tray to Frame Mounting Bolt 4 Piece Set with 4 Black plated indented hex washer head bolts with starter point. **Does 1 car.** 2333215 2.95



- I** 63-66 Black Push-In Tie Strap holds the positive cable to the heat shield. 2259203 3.00

**Battery Trickle Charger**

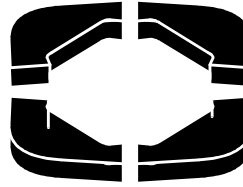
Battery Trickle Charger keeps the battery charged all winter without removal. Prevents dead batteries during storage. 12 Volt only. Includes color coded leads, solid state charge and a UL listed transformer. Battery Storage Float Charger 2333666 22.00

**Tray, Retainer, Shield, Bolt Kit**

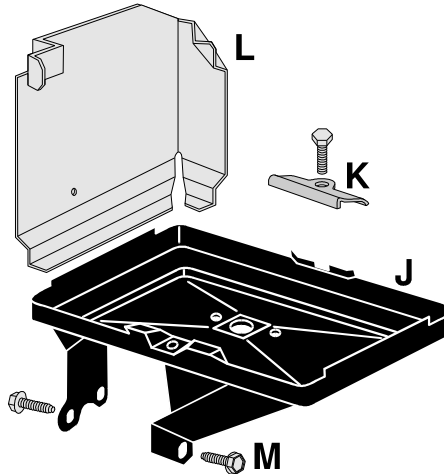
	Pieces Includes		
55-61	10 Pieces A B C	2333221	105.95
62	8 Pieces A B D	2333201	105.95
63-65 except AC	9 Pieces E F G	2333203	81.95
66 except AC	9 Pieces E F G	2333208	79.95
67 except AC	4 Pieces J K L	2333207	79.50
63-67 AC or 396	8 Pieces N O P	2333205	75.50

**56-66 Battery Spacers**

This 4 Piece Set of thick rubber spacers mount between the battery retainer and the top of the battery. Raising the retainer off the battery they aid in prevention of corrosion & shorts. 2333101 3.50

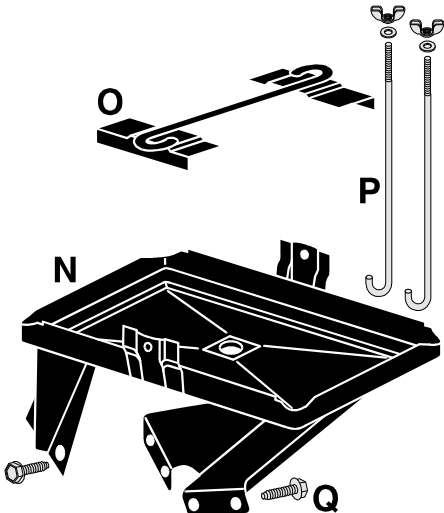


**67 Battery except AC**



- J** 67 Battery Tray except AC Paint as required. 2333130 53.50
- K** 67 Retainer with Mounting Bolt. 2333140 6.50
- L** 67 Heat Shield except AC Paint as required. 2333132 29.50
- M** 67 Tray to Frame Mounting Bolt 4 Piece Set with 4 Black plated indented hex washer head bolts with starter points. **Does 1 car.** 2333215 2.95
- I** 67 Black Push-In Tie Strap mounts the positive battery cable to the heat shield. See illustrations at bottom of the previous column. 2259203 3.00

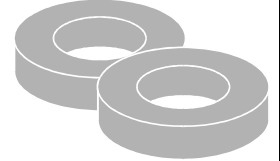
**63-67 Battery with AC or 396**



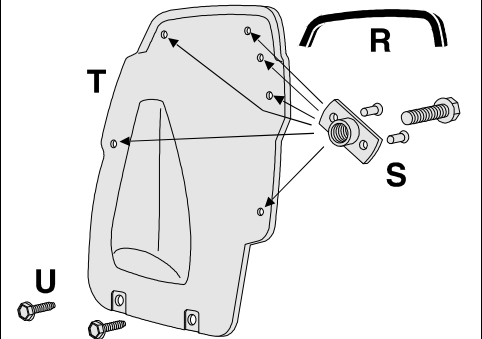
- N** 63-67 Battery Tray A.C. or 396 2333125 53.50
- O** 63-67 Retainer with A.C. or 396 Covered with Rubber. 2333126 12.95
- P** 63-67 Bolt Kit with 2 J-Bolts, 2 Washers & 2 Wing Nuts. **Does 1 car.** 2333127 8.40
- Q** 63-67 Tray to Frame Mounting Bolt 6 Piece Set with 6 Black plated indented hex washer head bolts with starter points. **Does 1 car.** 2333225 3.95

**53-69 Battery Post Insulators**

These Thick die cut gray felt seals mount between battery cable and the battery posts. Aids in preventing acid corrosion. Pair 2333102 3.00

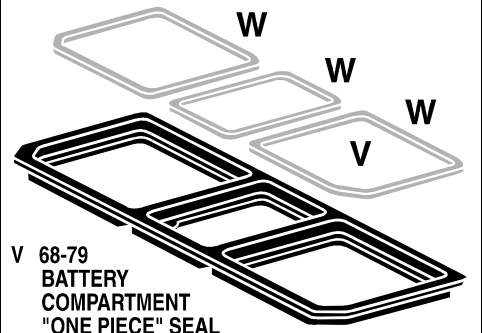


**Battery Filler Panel A.C. or 396**



- R** 63-67 Battery Filler Panel Top Edge Seal Die cut "U" shape Black sponge rubber. Fact: all the matching repro's of this part were made from a DocRebuild repro. Yes, all those dupes copied our repro part; they have never seen the GM blueprint. All they know is to make a "repro from a repro". 2333122 5.45
- S** 63-67 Battery Filler Panel 24 Piece Mounting Kit Includes 12 rivets, 6 special T-nuts & 6 indented hex washer head bolts. **Does 1 car.** 2333121 17.50
- Six indented washer head bolts only 2333119 4.00
- T** 63-67 Battery Filler Panel with A.C. or 396 Match Molded Fiberglass, smooth on both sides. Panel without T-Nuts 2333120 89.00
- Panel with T-Nuts Installed 2333128 129.00
- U** Panel Lower Mounting Bolts Pair Black plated indented hex washer head bolts with starter points. **Does 1 car.** 2333123 1.95

**68-79 Battery Seal & Mount**



- V** 68-79 BATTERY COMPARTMENT "ONE PIECE" SEAL Not a straight strip of rubber, ours is die cut in One Piece for a perfect fit. 2333150 7.95
- W** 68-79 Rear Compartment Seal 3 Piece Set with the battery seal, plus similar seals for the jack & center compartment. Helps reduce road noise. Each is die cut in One Piece for a Perfect Fit. 2333153 20.00
- 68-82 Battery Compartment Drain Plug allows explosive battery gas fumes to vent. 2333148 9.50
- K** 68-82 Battery Side Mounting Retainer with mounting bolt. 2333140 6.50
- 68-82 Underbody Retainer with Weld Nut mounts the above retainer to the underbody of the battery compartment. 2333141 12.50
- 68-82 Battery Side Mounting Retainer with 3 OEM mount Often severely rusted from battery acid. Attaches to the inside floor of the battery cmpt. NOS 2333142 12.00
- Repro of the above Retainer 2333209 8.50
- 68-82 Underbody Retainer Mounting Plate mounts above retainer to the battery cmpt underbody 2333143 5.95