

Automatic Transmission

Examine the pattern & number of oil pan mount holes to determine the model of your transmission

Aluminum Powerglide has 14 mount holes
 Turbo 400 has 13 mount holes
 Turbo 350 has 12 mount holes
 Turbo 700R has 16 mount holes

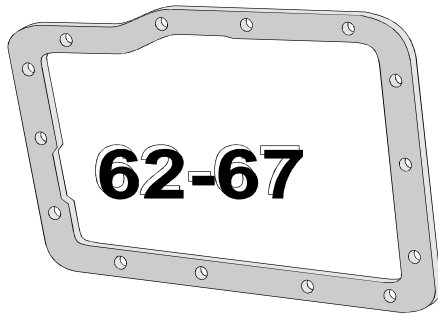
A Transmission Mounting Kits:

- 62-67 Powerglide Trans **6 Piece** Mounting Kit
 Includes ★ Grade 300 hardware to attach trans to the engine block. **Does 1 car.** 4004132 **4.75**
- 68-82 Auto Trans Mounting **6 Piece** Kit
 Includes ★ Grade 300 hardware to mount the trans to the engine block. **Does 1 car.** 4004134 **4.75**

B Transmission Oil Pan Gaskets

Improved design thick cork, however these are not brittle and ours also fit! We die cut this part because the OEM parts supplied today are brittle and easily break. Also they do not fit properly because they have shrunken.

62-67 Powerglide Trans Oil Pan Gasket If you order these from your OEM dealer, they are unit packed per 8 pieces. Therefore you must purchase 8 parts that are brittle & shrunken. *Ours are Guaranteed to Fit. Illustrated below.* 4004370 **15.00**



68-77 Turbo 400 Trans Oil Pan Gasket

If you order them from your dealer, they are unit packed per 5 pieces. Therefore you must purchase 5 parts that are brittle & shrunken in size. *Illustrated below Ours Is Guaranteed To Fit* 4004372 **15.00**



- 76-81 Turbo 350 Gasket 4004374 **8.00**
- 82 Turbo 700R Gasket 4004376 **9.50**

C Automatic Transmission Oil Pan

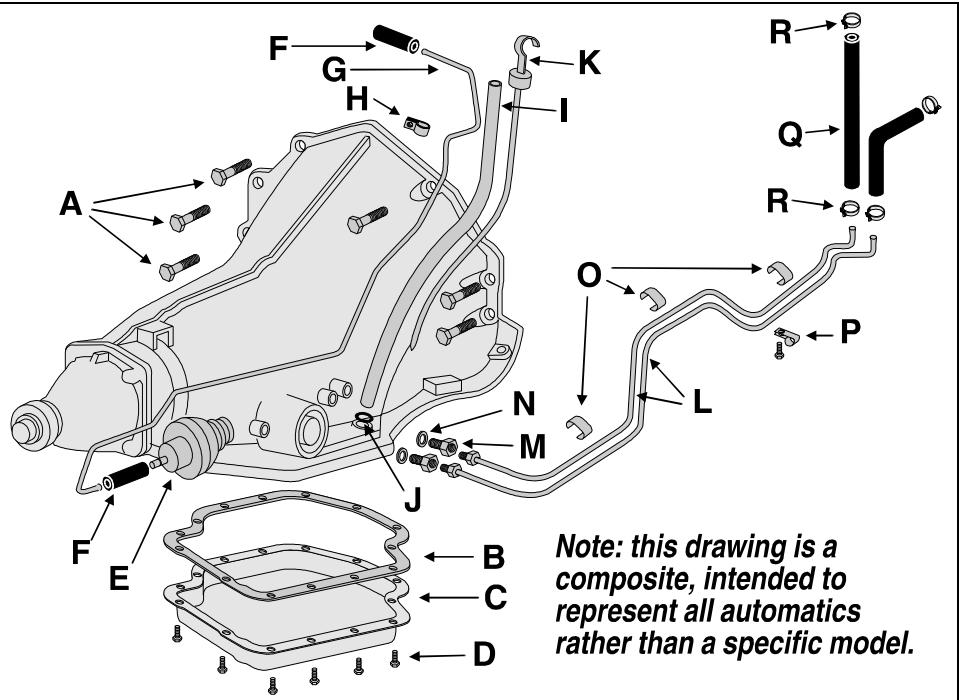
- 62-67 Powerglide Oil Pan
 Chrome plated replacement. 4004139 **40.00**
- 63-67 Powerglide Oil Pan Drain Plugs
Magnetic Drain Plug 1426100 **22.50**
Non-Magnetic Drain Plug 1426102 **3.00**
 Nylon Drain Plug **Gasket** 1426105 **1.50**
- 68-77 Turbo 400 Oil Pan 4004420 **92.00**
- 76-81 Turbo 350 Oil Pan 4004422 **47.50**
- 82-96 Turbo 700R Oil Pan 4004424 **34.50**

D Auto Oil Pan Mounting Bolts

- 62-67 Powerglide Oil Pan **14 Piece** Mounting Set
 indented hex head. 4004140 **4.90**
- 68-77 Turbo 400 Pan **13 Piece** St 4004142 **4.70**
- 76-81 Turbo 350 Pan **12 Piece** St 4004144 **4.60**
- 82 Turbo 700R Pan **16 Piece** St 4004146 **78.50**

E Vacuum Modulator

- 63-67 Vacuum Modulator **NOS** 4004316 **75.00**
- 63-67 Vacuum Modulator **Repro.** 4004193 **28.50**
- 62-67 Modulator Gasket 4004318 **3.15**



Note: this drawing is a composite, intended to represent all automatics rather than a specific model.

F Modulator Hose Sets

- 58-60 Authentic Ribbed Style 4002312 **4.00**
- 61-82 Authentic Ribbed Style 4002314 **3.15**

G Prebent Modulator Vacuum Pipe

- 62 Modulator Pipe UPS Oversize **O/S** 4004050 **42.50**
- 64-65 Mod Pipe UPS Oversize **O/S** 4004052 **44.00**
- 63-82 **Straight** Modulator Vacuum Steel Pipe a restriction at one end that acts as a metered orifice. It is supplied straight & requires bending to the actual contours of your model. **Does 1 car.** UPS Oversize **O/S** 4004070 **58.75**

H Modulator Pipe Mounting Clips

- Mounting Clip to Transmission Bellhousing
 58-60 use 2; 63-65 use 1 4004162 **6.00**
- 66-67 Mounting **Clip** to Dipstick 4004164 **10.00**
- 70-74 Mounting **Clip** to Transmission 4004166 **3.00**
- 77-81 Mounting **Clip** to Dipstick 8848984 **6.50**

I Oil Dipstick Filler Tube

- 63-67 Powerglide Tube with 327 4004357 **29.95**
- 68-73 Turbo 400 Tube 4004350 **19.50**
- 74-77 Turbo 400 Tube 4004352 **40.00**
- 76-Early 78 Turbo 350 Tube **NOS** 4004354 **0.00**
- Early 78 **uses O-ring seal; Late 78 uses Sleeve**
- Late 78-81 Turbo 350 Tube **NOS** 4004356 **50.00**

J Oil Dipstick Filler Tube Seal

- 62-Early 78 Transmission Filler Tube Seal
 O-Ring Type prevents leaks. 4004174 **2.50**
- Late 78-82 Sleeve Type Seal 4004176 **3.95**

K Automatic Oil Dipstick

- 63-Early 66 327 Auto Dipstick <3/66 4004358 **100.00**
- Late 66-67 327 Auto Dipstick >3/66 4004359 **90.00**
- Early 66 427 Auto Dipstick <3/66 4004360 **32.95**
- Late 66-67 427 Auto Dipstick >3/66 4004361 **29.95**
- 68-73 Automatic Dipstick 4004342 **11.75**
- 74-81 Automatic Dipstick 4004344 **10.50**

L Trans To Rad Oil Cooler Lines

- Compare our CNC tube bender manufactured parts with blem products. Our fit without the fussing. Plus their Pre-bent with flared hose ends & mounting nuts. **UPS O/S**
- 63-67 Powerglide Lines Pair **O/S** 4004328 **57.50**
- 68-69 350 or 427 Cooler Lines and 70-74 350 Cooler Lines Pair **O/S** 4004390 **62.50**
- 70-74 454 Cooler Lines Pair **O/S** and 75-76 Cooler Lines Pair **O/S** 4004393 **81.75**
- 77-80 Cooler Lines Pair **O/S** 4004394 **64.00**
- 81 Cooler Lines Pair **O/S** 4004395 **69.75**
- 82 Cooler Lines Pair **O/S** 4004396 **69.75**

M Cooler Line Adapter Fittings

- 63-67 Cooler Line Adapter Fittings Pair
 Connect lines to the trans. 4004178 **9.95**
- 70-77 Turbo 400 Adapters Pair 4004180 **17.80**
- 76-81 Turbo 350 Adapters Pair **NOS** 4004182 **0.00**

N Cooler Line Adapter Fittings

- 70-82 Adapter Mounting Washers Pair 4004184 **0.00**

O Cooler Line Clip Set

- 63-82 Cooler Line Clip **3 Piece** Set
 Holds lines together. **Does 1 car.** 4004170 **9.00**

P Cooler Line Frame Clip

- 63-82 Line Mounting Clamps to Front Cross Member
 with 2 clips & 1 mounting screw. 4004172 **4.50**

Q Cooler Line Hoses

- 63-67 327 Cooler Hoses Pair 4004322 **18.00**
- 66-67 427 or 68-82 Cooler Hoses Pair 4004324 **15.25**

R Cooler Line Hose Clamps & Pipes

- 63-71 Tower Style **4 reqd.**
 Stainless Wittek **NOS** 4166970 **10.00**
Repro Wittek 4166945 **4.00**
- 72-82 Wittek Side Screw **NOS** 4166921 **8.50**

Auto Cooler Pipes Mounted in the Radiator

- Includes flared hose ends with mounting nuts.
- 66-67 427 Upper Outlet or Lower Inlet Pipe
- 68 All Upper Outlet or Lower Inlet Pipe or 69-82 Upper Outlet Pipe 4004330 **13.75**
- 69-72 350 Lower Inlet Pipe 4004331 **13.75**
- 69-72 427 or 454 Lower Inlet Pipe or 73-75 350 Lower Inlet Pipe 4004332 **13.75**
- 76-82 Lower Inlet Pipe 4004333 **12.95**

Automatic Transmission Oil Filters

Easily replaced & essential for cleansing of the your automatic transmission oil. Always replace the oil pan gasket when replacing these filters. *Now which costs more: an oil filter and pan gasket or a rebuild of your transmission? You Don't Have To Be A Brain Surgeon. Genuine Delco 68-82.*

- 62-67 Powerglide Filter 4004380 **12.00**
- 62-67 Powerglide Filter Mounting **Gasket** 4004381 **3.15**
- 69-80 Delco Turbo 400 Filter 4004382 **12.75**
- 68-81 Delco Turbo 350 Filter 4004384 **22.50**
- 82-92 Delco Turbo 700R Filter 4004386 **27.50**