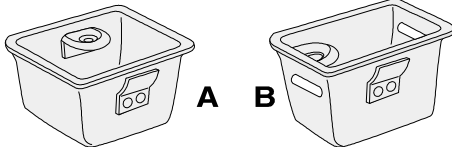


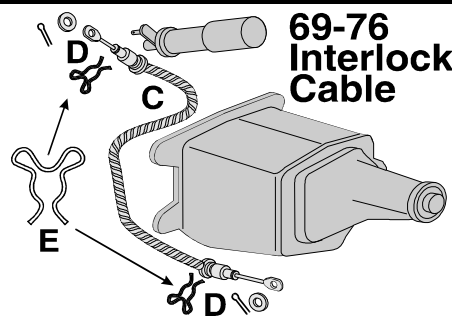
Ash Tray & Lighter

53-62 Ash Tray Chrome Knob	1201601	12.50
53-Early 60 Ash Tray no butt holder	1201602	34.50
Late 60-62 Ash Tray with butt holder	1201603	34.50
A 63-76 Ash Tray	1201605	10.50
63-67 Ash Tray Brushed Lid	1201604	9.00
63-67 Lid Chrome Knob with Screw	1201606	8.00
68-76 Ash Tray Door Repro	4020130	21.25
68-76 Ash Tray Door NOS	1201608	27.50
68-76 Ash Tray Door Guides Pair	4020132	7.50
68-76 Door Spring Retainer	4020133	7.95
B 77-82 Ash Tray with fiber optic lens	1201610	12.50



53-76 Lighter Lamp Shield	9709108	14.00
56-57 Lighter Element & Knob	9709105	39.75
53-60 Housing Retainer	9709132	7.75
53-60 Housing In Dash	9709106	10.00
58-60 Lighter Element & Knob	9709107	38.25
61-64 Lighter & Knob	9709111	45.00
58-82 Housing In Dash	9709130	20.60
61-82 Housing Retainer	9709129	6.50
68-97 Lighter Element & Knob GM	9709116	12.50
68-97 Lighter Element & Knob Repro	9709133	21.00

Shifter Interlock Cable



Interlock cables mount between the trans and a lever on the steering column. They lock the steering wheel & shifter when the ignition switch key is removed. **NOS & repro cables have spiral wire wrap over the casing; Replacement cables have a plastic wrap over the casing.**

C 69-76 Shifter Interlock Cables		
3 or 4 Speed Cable repro	4001304	49.50
3 or 4 Speed Cable replacement	4001127	44.50
Auto Interlock Cable repro	4001303	49.50
Auto Interlock Cable NOS	4001308	125.00
Auto Interlock Cable replacement	4001128	44.50
D 69-76 Interlock Lock Cable 6 Piece Mounting Kit		
Mounts cable to the trans and the steering column. Includes 2 cotter pins, 2 washers and 2 "Mickey Mouse" style clips. Does 1 car.	4004126	7.00
E 69-76 Mickey Mouse Clip Only Stainless Steel		
4 reqd on 65-82 parking brake cables;		
2 reqd on interlock cable	4779171	1.50
Front Trans interlock cable mtg bracket	4001241	8.45
Rear Trans interlock cable mtg bracket	4001242	9.95

68-82 Auto Shifter Cable

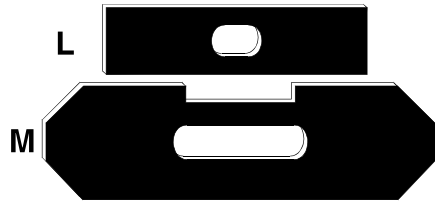
70-77 Automatic Kick Down Switch mounts to pedal assembly under dash	4004130	28.50
68-69 Auto Kick Down Harness	2515280	29.00
76-77 Auto Kick Down Harness	2515301	29.00
Auto Shift Cable from Shifter to Transmission: includes the rubber seal to the trans tunnel.		
F 68-76 Auto Shift Cable and Casing	4001306	88.00
G 77-82 Auto Shift Cable and Casing	4001307	110.00
H 68-82 Shift Cable Seal Mounting Screw 3 Piece Set		
Mounts cable to underbody.	4004117	2.50
I 68-82 Auto Shift Cable 5 Piece Mounting Kit includes special clips required to mounts cable to shift lever, the shifter bracket, the trans cable bracket & shifter range selector pin. Does 1 car.	4004118	6.00
J Trans Range Selector Pin with Washer & Mounting Nut attaches the shifter cable to the shift lever on the LH side of the trans. Does 1 car.	4004120	12.00
68-78 Pin, Washer & Mounting Nut	4004120	12.00
79-82 Pin, Washer & Mounting Nut with Metric threads.	4004122	12.50
K 68-82 Trans Shift Lever NOS	4004124	45.00

68-82 Automatic Shifter

Auto Shifter Lever with Mounting Bracket		
68-75 Auto Shifter Repro	4001315	215.00
68-75 Auto Shifter NOS in box	4001305	200.00
76-81 Auto Shifter	4001319	239.00
68-82 Shifter Bracket to Underbody 4 Piece Screw Mounting Set. Does 1 car.	4004116	3.50

68-82 Auto Boot & Slider

68-76 Shift Boot Putty Seal fills the gaps between the under body, the retainer & the boot. Prevents heat transfer	4015129	4.00
68-76 Shift Console Slider Seals:		
L Upper Slider Seal NOS	4015122	12.50
M Lower Slider Seal NOS	4015123	9.00
L+M Upper + Lower Seal Pair Repro	4020124	10.00



77-82 Leather Shift Boot	4015125	28.75
77-82 Boot Mounting Screw 4 Pieces	4015127	2.40

62-82 Automatic Trans Underpan

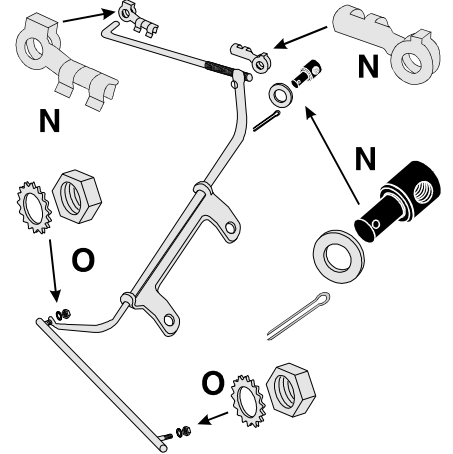
Underpans mount to the front lower edges of the automatic transmission. OEM not repro		
62-67 Powerglide Trans Underpan except 66-67 427	3787932	85.00
68-69 Turbo 400 Underpan	3787934	29.25
70-74 Turbo 400 Underpan	3787936	42.00
75-82 Underpan	3787938	37.25

www.DocRebuild.com

Underpan Mounting Screw Sets Does 1 car.		
62-67 Powerglide 4 Piece Set	3787907	3.25
68-74 Auto Pan 4 Piece Set	3787909	3.25
75-77 Auto Pan 4 Piece Set	3787912	4.95
78-82 Auto Pan 4 Piece Set	3787914	3.25

56-67 Kickdown Hardware

N Upper Linkage Hardware Kits		
56-62 Upper Kickdown Rod 4 Piece Mounting Kit Includes 2 special rod clips, rod swivel, & cotter pin. Does 1 car.	4004103	8.25
63-65 Upper Kickdown Rod 4 Piece Mounting Kit Includes special rod clip, rod swivel, SAE nut star washer. Does 1 car.	4004104	6.95
66-67 Upper Kickdown Rod 3 Piece Mounting Kit Includes special rod clip, rod swivel, & cotter pin. Does 1 car.	4004105	6.85



O 56-67 Lower Kickdown Rod Mounting 4 Piece Kit Includes 2 nuts & 2 star washer. Mounts lower kick down linkage rod. Does 1 car.	4004106	2.50
--	---------	------

Nylon Speedometer Gears

Speedometer Gears mount in the side of the Transmission. Each of these Gears changes the Speedometer Display by about 5 MPH. To help remedy an inaccurate reading: Count the Number of teeth on the Current Gear & if the Reading is

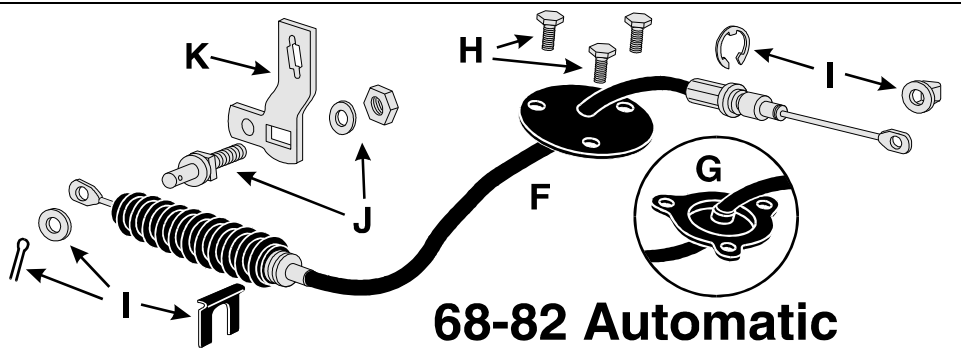
Too Low - select a gear with 1 Less Tooth
Too High - select a gear with 1 More Tooth

61-81 Standard Trans Speedo Gears

Number of Teeth	Color Code		
18 Tooth Gear	Brown	4337218	9.95
19 Tooth Gear	Natural	4337219	9.95
20 Tooth Gear	Blue	4337220	9.95
21 Tooth Gear	Red	4337221	9.95
22 Tooth Gear	Silver	4337222	9.95
Use Silver 22 tooth gear with 3:08 to 3:55 rear			
Use Green 22 tooth gear with 3:70 to 4.88 rear			
22 Tooth Gear	Green	4337322	9.95
23 Tooth Gear	Black	4337223	9.95
24 Tooth Gear	Yellow	4337224	9.95
25 Tooth Gear	Orange	4337225	9.95

61-81 Auto Trans Speedo Driven Gears

34 Tooth Gear	Light Green	4337234	9.95
35 Tooth Gear	Pink	4337235	10.95
36 Tooth Gear	White	4337236	9.95
37 Tooth Gear	Red	4337237	9.95
38 Tooth Gear	Blue	4337238	9.95
39 Tooth Gear	Brown	4337239	9.95
40 Tooth Gear	Black	4337240	9.95
41 Tooth Gear	Yellow	4337241	9.95
42 Tooth Gear	Green	4337242	9.95
43 Tooth Gear	Purple	4237243	9.95
44 Tooth Gear	Gray	4337244	9.95
45 Tooth Gear	Light Blue	4337245	9.95



68-82 Automatic