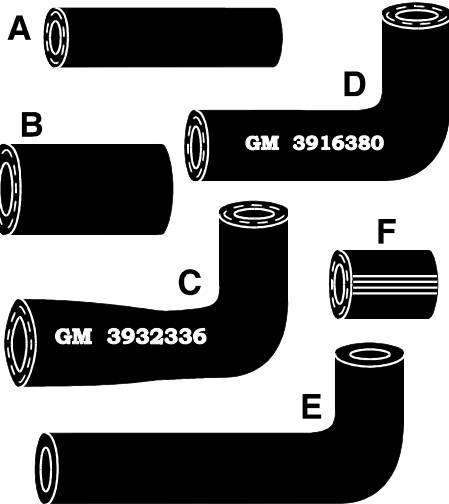


**63-81 Air Cleaner Hoses**

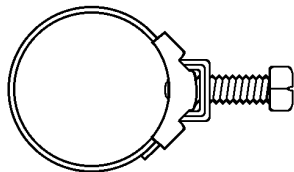
**Authentic Hoses Guaranteed to FIT**

- A** 63 Air Cleaner to Oil Tube **Hose** connects the base of the air cleaner to the oil filler tube. 3602143 **5.00**
- B** 64-67 1x4 or 68-69 L-88 Air Cleaner Hose to Crankcase Vent **Hose** 1762215 **5.00**
- 67 3x2 Air Cleaner CC Vent **Hose** 1762420 **17.50**
- C** 68-72 327 or 350 Air Cleaner **Hose** Molded 90 degree with different diameters at each end for an authentic fit and design 1745305 **15.50**



- D** 68-72 427 or 454 except 3x2 Air Cleaner **Hose** Molded 90 degree. 1745308 **12.75**
- E** 68-69 3x2 Air Cleaner **Hose** to Crankcase Vent Molded 90 degree. 1762307 **15.00**
- F** 73-81 Air Cleaner **Hose** Authentic design with ribs. 1762337 **4.00**

**67-72 Wittek type Tower Air Cleaner Hose Clamp**

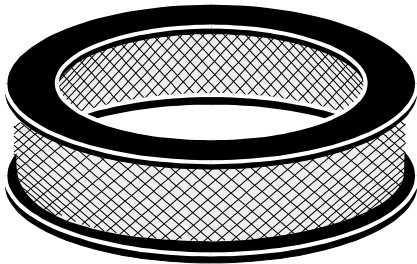


- 67-69 Tripower and 68-72 1x4 Air Cleaner Hose Clamp Tower design. 2 reqd 4166946 **6.95**

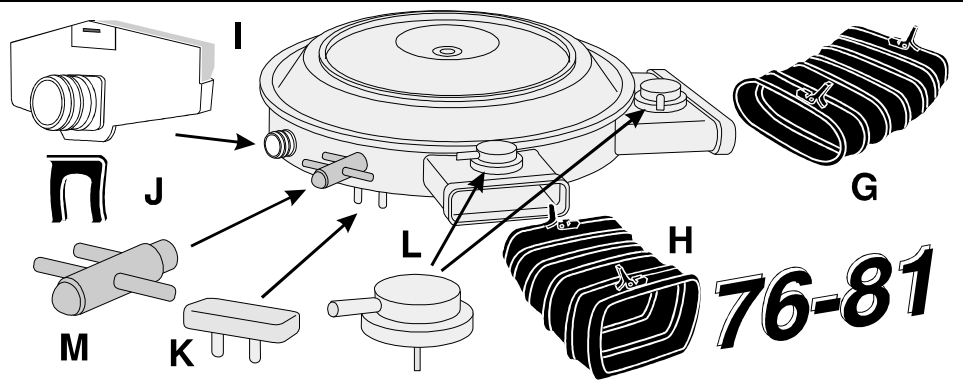
**76-82 Air Cleaner**

- All 76-82 air cleaners include the base, lid & filter.
- 76-81 Air Cleaner Chrome Lid **China** 3402266 **39.95**
- 76 Air Cleaner **NOS** 3402221 **499.00**
- 80 350 Air Cleaner **NOS**. 3402226 **499.00**
- 82 Air Cleaner to Hood Duct Rubber Seal. **NOS** 3402230 **200.00**

**76-87 Genuine Air Filters**



- 76-81 Paper Air Filter 3402191 **11.95**
- 82 Paper Air Filter 2 reqd 3402192 **13.50**
- 84 Paper Air Filter 3402194 **21.75**
- 85-87 Paper Air Filter 3402195 **75.00**



**76-81 Air Cleaner Hoses**

These rubber "accordion style" hoses clamp onto the air cleaner snorkels and the ducts above the radiator and the RH fender skirt. They include integral snap together style mounting clamps.

- G** 76-81 Air Cleaner **Hose** to Top of the Radiator Support Rectangular on both ends **GM** 3402501 **26.50** Rectangular on both ends **Repro** 3402537 **19.95**
- H** 78 L-82 and 79-81 All **Hose** to the RH Fender Skirt. Rectangular at the air cleaner end & square at the fender skirt end **GM** 3402502 **26.00** fender skirt end **Repro** 3402538 **20.75**

**76-82 Air Cleaner Parts**

- I** 73-81 Air Cleaner **Filter** White nylon with White mesh filter. This filter mounts in the RH side of the air cleaner with the following clip. *If yours is oily & blackened, it is ready to be replaced.* 3402498 **4.45**
- J** 73-81 Air Filter Mounting **Clip** Black plated spring steel. 3402496 **3.50**
- K** Air Cleaner Base Vacuum **Sensors** includes the mounting gasket and mounting clip 76-79 Vacuum **Sensor** 3402520 **0.00** 80-81 Vacuum **Sensor** 3402522 **104.00** 82 Vacuum **Sensor** 3402524 **114.00**
- L** Air Cleaner Vacuum **Motor** with **Diaphragm** controls snorkel flapper door during cold starting 76-81 Vacuum **Motor** 1-2 reqd 3402530 **55.00** 82 Vacuum **Motor** **NOS** 3402532 **60.00**
- M** Air Cleaner to Distributor **TVS** 80 350 **TVS** 3402534 **50.00** 80 305 Calif. only **TVS** **NOS** 3402536 **55.00**

**76-82 Air Cleaner Ducts**

- 76-77 or 78 L-48 Air Cleaner **Duct** on Top of the Radiator Support. 3402512 **39.50**
- 78 L-82 or 79-81 Air Cleaner **Duct** on Top of the Radiator Support. 3402514 **34.50**
- 78 L-82 or 79-81 Air Cleaner **Duct** in the RH Fender Skirt. 3402516 **49.75**

**76-82 Duct Mounting**

- 76-82 Radiator Top Duct **8 Piece** Mounting Kit Includes 4 screws & 4 U-nuts 3402504 **3.80**
- 78-81 RH Fender Duct **6 Piece** Mounting Kit Includes 3 screws & 3 U-nuts 3402506 **3.40**

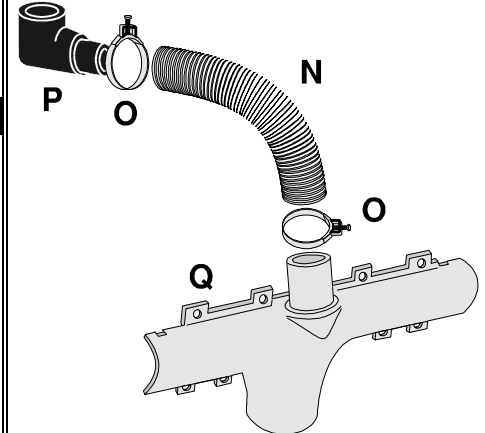
**76-82 Air Dam Ducts Seals**

**See Page 29 for Illustrations**

- 76-77 or 78 L-48 Air Dam **3 Piece** Set Includes center seal & 2 ends. 1274522 **15.50**
- 78 L-82 & 79 All Air Dam **3 Piece** Set Includes center seal & 2 ends. 1274524 **15.50**
- 80-81 Air Dam **5 Piece** Set Includes center seal & 4 ends. 1274526 **20.50**
- 82 Air Dam **4 Piece** Set Includes 4 end pieces. 1274528 **18.50**

**76-82 Choke Hose, Elbow & Stove**

- N** 76-82 Flexible Aluminum Choke **Hose** Connects the exhaust manifold choke stove to the air cleaner choke elbow. When only the best will do *Not a Foreign Repro* 3402500 **10.00**
- O** 76-82 Choke Hose **Clamp** 1 to 2 reqd **NOS** Wittek tower clamp 4166973 **14.50**



- P** 76-82 Choke Elbow **NOS** mounts to the air cleaner below the front snorkel. 3402508 **Disc**
- Q** 76-80 Outer Choke Stove **NOS** mounts on the outboard side of the LH exhaust. 3402510 **45.00**
- 76-80 Inner Choke **Stove** Mounts between the exhaust manifold and the engine block. 3402511 **Disc**
- 76-80 Choke Stove Mounting **Screw** 6 Piece Set **Does 1 car** 3402509 **3.00**

**Flame Arrestors**

*Prevents Fires, If The Carb Backfires !*

- R** 64-72 Flame **Arrestor** except FI or 67 3x2 Mounts inside the air cleaner base on top of the crankcase vent pipe. **NOS not repro** 1746210 **12.50**
- S** 64-65 FI or 67 3x2 Flame **Arrestor** with brownish plating finish. 1745226 **19.95**
- S** **NOS** 64-65 FI or 67 3x2 Flame **Arrestor** with Powdered Black plating finish & stamped "FISHER CORP. Pat. No. 38287094". These are **NOS in the the GM boxes !** 1745228 **50.00**

