

68-82 Air Cond Seal Kits

Our seal kits include all of the die cut black sponge rubber, poly foam & felt gaskets required to seal the inner & outer air conditioning boxes & ducts when changing the heater core vaporator core.

This Model Includes... Pieces

68-73 ABCDFGKLMNORSTX	27	8846401	44.00
74-77 ABCDFGKLMNOSTUVX	30	8846404	44.00
78-82 ABCDEHJKLPQWXY	21	8846402	39.50

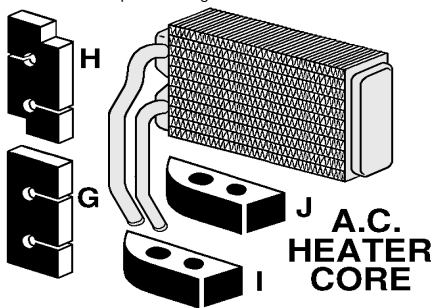
These Air Conditioning Seals were made from stock AC boxes and factory samples. The actual patterns were designed by Dr. Rebuild himself. He developed them and did make these Repros from them - unlike Zip which copied our repro. They cannot even copy straight plus we have more pieces for less.

Outer Box & Evaporator Core Seals

A 68-82 Outer Firewall Seal	8846410	5.60
B 68-82 Core Mounting Seal secure this seal by liberally gluing to the perimeter of the evaporator core to prevent air leaks between the core and case.	8846411	17.50
C 68-82 Core Inlet Pipe Seal	8846412	3.50
D 68-79 Core Outlet Pipe Seal	8846413	3.50
E 80-82 Core Outlet Pipe Seal	8846414	3.50
F 71-77 Core Strip Seal	8846420	2.75

Heater Core Seals

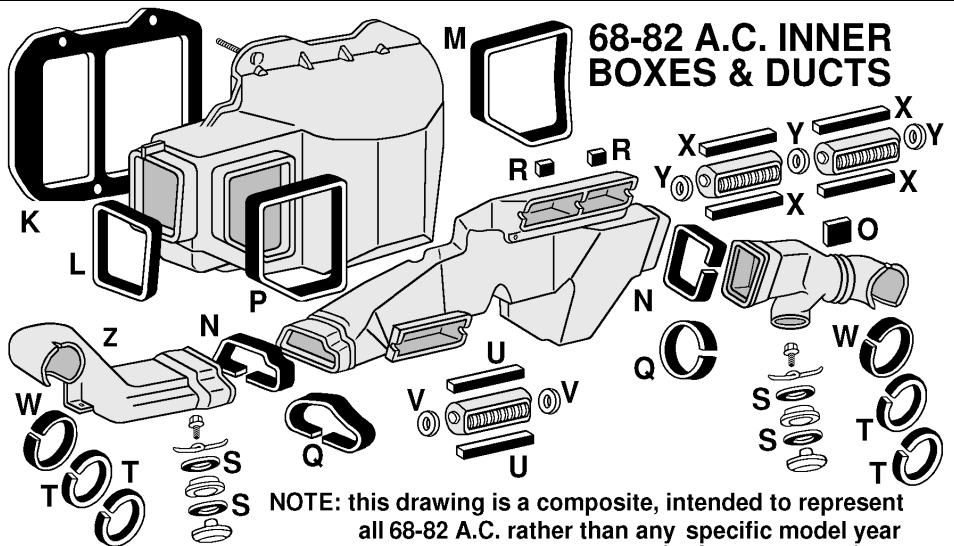
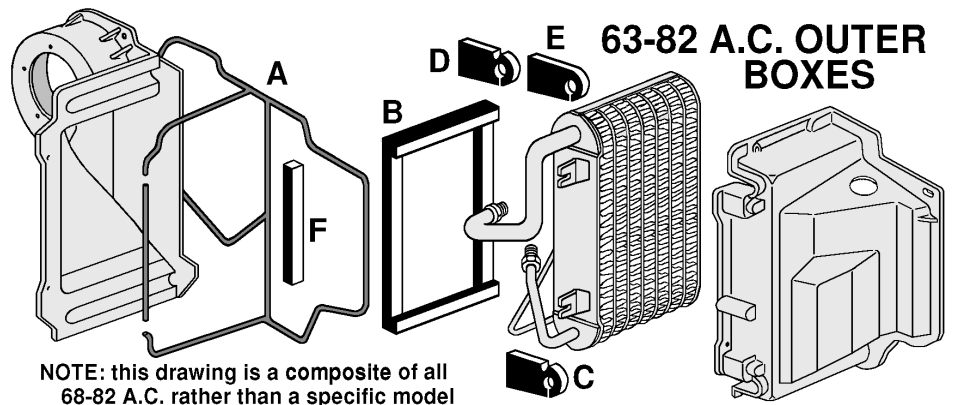
G 68-77 Core Tube Seal	8846431	4.75
H 78-82 Core Tube Seal	8846418	4.75
I 68-77 Core Pipe Housing Seal	8846417	4.75
J 78-82 Core Pipe Housing Seal	8846419	4.70



68-77 A.C. Heater Core	8860208	69.95
See Page 44 for a selection of Heater Cores.		
78-82 A.C. Heater Core	8860209	69.95
78-82 Core Mounting Strap 2 reqd	8860207	6.85
78-82 Strap Mount Screw 4 Piece Set	8860210	2.50

Center Distributor & Ducts Seals

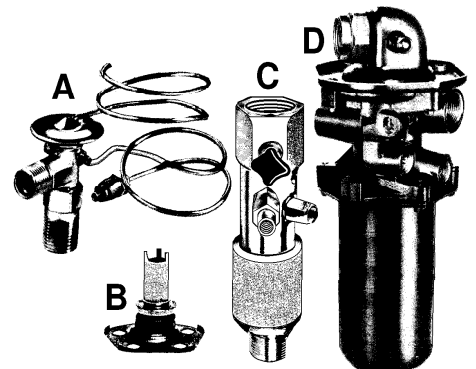
K 68-82 Inner Firewall Seal	8846415	11.00
L 68-82 Box to Side Distributor Seal	8846416	5.50
M 68-77 Distributor Box to Distributor	8846421	5.50
N 68-77 Distributor to Side Duct Pair	8846422	4.50
O 68-77 RH Duct Spacer	8846423	2.75
P 78-82 Inner Box to Distributor	8846424	4.60
Q 78-82 Distributor to Side Duct Pair	8846425	4.40
R 68-77 Center Distributor Feet Pair	8846426	2.75
S 68-77 Lower Distributor Feet Seal Pair 1 Pair reqd On 68-73 LH Distributor; 1 Pair reqd On 68-77 RH Distributor	8846428	3.50
T 68-77 Distributor Ball Feet Seal 4 Piece Set	8846429	5.95
U 74-77 LH Distributor Seal Pair	8846432	2.75
V 74-77 LH Distributor End Seals Pair	8846434	2.50
W 78-82 Side Distributor to Dash Pair	8846430	4.75
X 69-82 Center Distributor Seal	8846427	4.75
Y 78-82 Distributor End Seal Set	8846433	3.75
Z 69-77 LH AC Duct Molded Plastic	9222424	81.15
Z 78-82 LH AC Duct Molded Plastic	9222434	89.00



Expansion, POA & VIR Valve

A 63-72 Expansion Valve <i>Delco</i>	9218170	53.50
63-72 Expansion Valve <i>Replacement</i>	9218274	48.00
63-72 Expansion Valve Putty Seal <i>NOS</i> that "dirty" black lump that wraps around the upper vapor core to insulate the expansion valve sensor.	8846178	40.00
B 63-66 STV Repair Valve Only this diaphragm repairs most leaking valves. It is not needed if the STV conversion kit is ordered.	9218181	84.50
63-66 STV Valve 4 Piece Mounting Kit includes 2 nuts & 2 screws to mount to the evaporator.	8848168	3.15
63-66 STV Conversion Kit this kit eliminates the problems inherent with a stock STV: i.e. a leaking diaphragm and/or sticking piston. It converts the STV to the reliable CCOT valve (cycling clutch valve) as used on newer models & is compatible with all types of refrigerant. If you want to really be COOL, this is the answer to STV unreliability. If you want to be factory it will not be accepted by CRS or Bloomfield judges. Includes all the necessary parts & instruction.	9218183	100.50
C 67-72 POA Valve this is a quality disc <i>Delco</i> part is a replacement for long ago discontinued tubular style valves. (See Conversion Kit)	9218180	299.00

67 POA Valve 3 Piece Mounting Kit mounts the POA valve to the clamp & the evaporator.	8848170	3.15
68-72 POA Valve Screw mount the POA valve to the mounting clamp & to the evaporator.	8848172	1.85
67-72 POA Screw Off Cap only	8848174	6.00
67-72 POA Valve Conversion Kit converts to reliable CCOT system using R12 refrigerant	9222442	115.00
CCOT system using R134a refrigerant	9222446	120.00
D 73-Early 77 VIR Valve <i>Remanufactured by Delco</i> (Late 77 use Dryer Accumulator)	9218182	225.00
<i>Remanufactured Replacement VR</i>	9218279	162.00
VIR Valve Sight Glass Repair Kit includes lens, gasket and retainer <i>NOS</i>	9218174	20.00
73-Early 77 VIR Valve 3 Piece Mounting Kit with 1 U-nut & 2 independent washers head screw & to mount VIR valve to the mount bracket & evaporator.	8848176	3.15
73-Early 77 VIR Conversion Kit changes the valve in receiver system to reliable dryer accumulator system with an orifice.	9222450	145.00



? Replacing just the Heater Core - You'll need these Seals
 68-77 Order Seals G, I, K, L, M, N, O
 78-82 Order Seals H, J, K, L, P, Q, W

Replacing just the Evaporator Core - ? You'll need these Seals
 68-79 Order Seals A, B, C, D, F
 80-82 Order Seals A, B, C, E