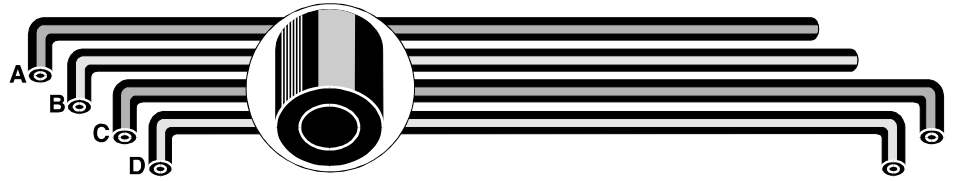


**Wiper Actuator Hoses**

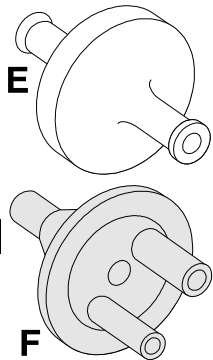
Select these Red or Green hoses by noting the location of your wiper relay: 68-Early 69 or 71 if the relay is located on the RH inner fender skirt. Late 69-70 if located on the LH firewall. See inset includes raised ribs and 90 degree molded ends at factory. *These hoses are included with our Molded Vacuum Hose Kits. Zip does not even have a clue about these and other differences.*

- 68-Early 69 or 71 with Wiper Relay on RH Fender with One End Molded at 90 Degrees.
- A** Red Striped Molded Hose 2777510 14.00
  - B** Green Striped Molded Hose 2777512 14.00
- Late 69-70 with Wiper Relay on LH Firewall with Both Ends Molded at 90 Degrees.
- C** Red Striped Molded Hose 2777514 16.00
  - D** Green Striped Molded Hose 2777516 16.00



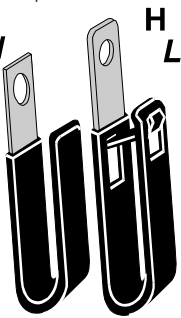
**Check Valve, Filter & Clips**

- E** 68-82 Vacuum Filter Filters out particles. 2771112 10.00
- F** 68-82 Check Valve Three port zinc casting. A leaky valve will cause the head lamp or wiper doors to pop open when you shut off the engine. 2771113 19.95



**TIP**

- F** 68-82 NOS Check Valve Factory cast Trico. Only get this if you are chasing show points. (see previous part) 2771225 50.00
- G** 68-82 Open Style 3" Long Vacuum Hose Clip Rubber covered, mounts on the LH firewall & LH inner fender skirt. See quantities below. 2771110 5.85
- H** 70-82 Locking Style 3 1/2" Vacuum Hose Clip Rubber covered, mounts on the LH firewall & LH inner fender skirt. See quantities below. 2771114 9.95



- G** 68-82 OPEN  
68 use 11  
69 use 12  
70 use 8  
71 use 9  
72 use 8  
73-75 use 6  
76 use 5  
77-80 use 4  
81 use 3  
82 use 2
- H** 70-82 LOCKING  
70 use 4  
71 use 5  
72 use 6  
73-74 use 5  
75-77 use 4  
78-79 use 5  
80-80 use 4

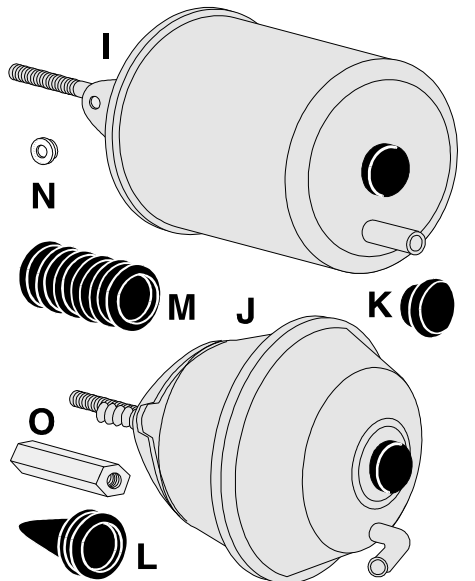
**68-72 Wiper Door Actuator**

- I** 68-69 "Tin Can" Style Wiper Door Actuator Select from 2 Actuator Rod Thread Sizes...  
Early 68 with 14-20" threads 2777220 199.00  
Late 68-Early 69 with 5/16-18" threads 2777221 199.00
- J** Late 69-72 "Pie Pan" Style Wiper Door Actuator Select from these 100% authentic Designs...  
Late 69-Early 71 with Straight Pipe 2777224 121.00  
Late 71-72 with 90 Degree Pipe 2777225 121.00
- 70-72 Wiper Actuator Hex Mounting Nuts with integrals star washers. Pair. Does one car. 2771310 1.50
- K** 68-72 Front Snap-In Plug 2771312 12.00
- L** Late 69-72 Pie Pan Actuator Rod Rolling Grommet Seal This cone shaped grommet is often a source of the actuator vacuum leaks and includes installation instructions. Made in USA 1014670 13.00  
69-72 above Grommet Imported 1014568 12.75
- M** 68-72 Actuator Rubber Accordion Boot Molded rubber accordion style dust boot  
*Note: Factory drawings are not accurate, clamps were not used on this boot* 1014666 11.00

- N** 68-72 Wiper Door Bushing 10 Piece Set Molded plastic. Use 4 on wiper door to cow linkage; use 2 on the wiper actuator rod; use 4 on the actuator. Does 1 car. 1014668 9.95

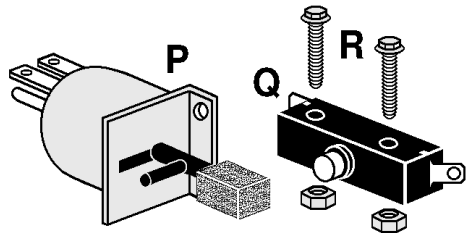
- O** 68-72 Actuator Adjusting Nuts connect the actuator to the wiper door mechanism & has LH threads at one end & RH at the other end. *Select from...*  
Early 68 Adjusting Nut with 1/4-20" Threads These are not retro, these are NOS & even include the Green Inspection Mark. 2771316 25.00  
Late 68-72 Adjusting Nut with 5/16-18" Threads 2771318 19.50

- 68-72 Rod Nut tightens the Adjusting Nut 2771326 0.90
- 68 Actuator Nut 1/4-20" 2771326 0.90
- 69-72 Actuator Nut 5/16-18" 2771328 0.90



**68-72 Wiper Door Switch**

- P** 68-72 Wiper Door Solenoid Switch Opens the wiper door when the wipers are turned on. Mounts behind the tachometer. Colored dot identify the ports for vacuum hoses connection. *Note: The port covered with a foam filter is not connected to any hoses.* NOS 2771407 Disc

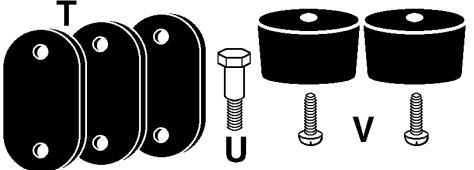


- Q** 68-72 Wiper Door Limit Switch Only with White push button; Mounts to the top of the wiper actuator on the firewall. Genuine GM 1014671 30.95  
Replacement Limit Switch 1014575 27.50  
Solder the following harnesses to the above Limit Switch.  
68 Switch Harness with Plug 1014750 23.00  
69-72 Switch Harness with Plug 1014752 23.00
- R** 68-72 Limit Switch Mounting 6 Piece Kit Includes 2 fine thread machine bolts, 2 nuts & 2 star washers. Does 1 car. 1014514 2.95

**? NEW Fully Illustrated... 68-82 Vacuum System Trouble SHOOTING Guide** © explains how to diagnose each component part for proper functioning. Why pay \$ 9.50 from Blem Products? 2777555 3.95

**68-72 Wiper Door Mount**

- T** 68-72 Wiper Door to the Cow Linkage Mounting 3 Piece Gasket Set Die cut Black sponge. Does 1 car. 1014664 3.50
- U** 68-72 Wiper Door or Actuator Shoulder Mounting Bolt Use 1 on wiper actuator chassis; use 4 to mount the wiper door. USA 1014667 5.95  
Mounting Bolt Foreign. 1014567 4.00
- V** 68-72 Wiper Door Rubber Bumpers Pair Molded rubber pair with 2 pan head sheet metal mounting screws. Does 1 car. 1014538 5.80



**68-72 Wiper Safety Switch**

- W** 69-72 Wiper Door Safety Switch Delco Mounts next to the RH wiper arm to prevent the wiper door from closing if the wipers are operating. All vacuum ports are identified with colored dots to aid proper vacuum hose hook-up. 2771405 57.60  
Repro Wiper Door Safety Switch 2771410 33.00
- 69-72 Safety Switch 3 Port Grommet the right one, not a Foreign replacement 2777120 9.80
- X** 69-72 Safety Switch 4 Piece Mounting Kit Includes 2 screws & 2 U-nut. 2771322 2.80



**68-72 Wiper Control Switch**

- Y** 69 Control Switch no AC NOS 1014xxx Disc
- 68-72 Control Switch Replacement 1014678 17.95
- Note on 68-69 the switch plug in arrangements different*
- Z** 68-72 Control Switch NOS for 70-72 1014679 20.00
- 68-72 Control Switch to Dash Mounting Kit with jam bolts star washer. 1014516 4.95
- 68-72 Wiper Door Electrical Relay allows the wiper motor to park the wiper arms for door closing. Mount under the forward shift console. 9220424 16.00

