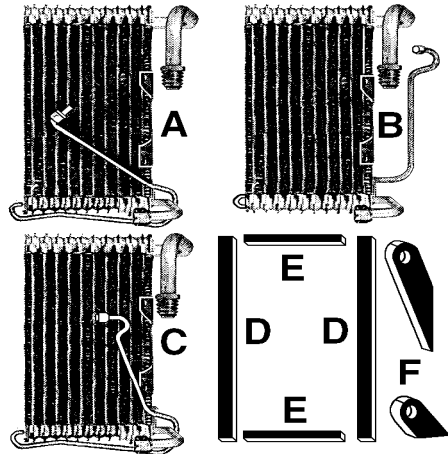


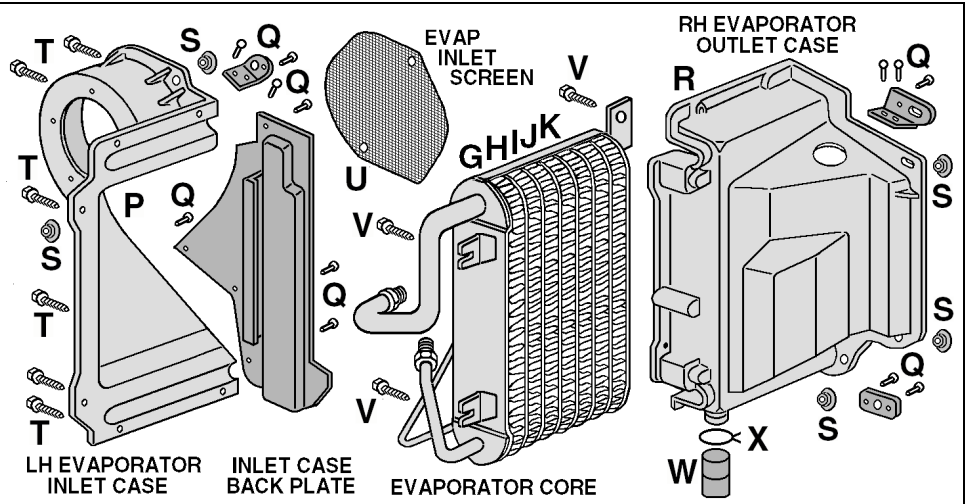
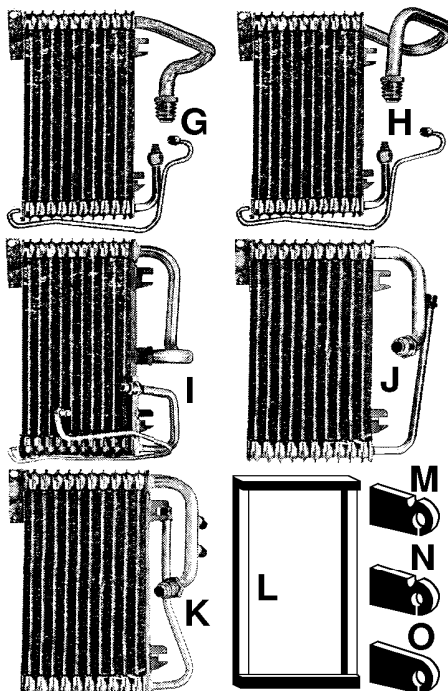
A.C. Evaporator Cores

- These dry, cool & clean the air entering the cockpit.
- A** 63-65 A.C. Evaporator *Repro* 9218300 309.50
 - 63-65 A.C. Evap generic *Aftermarket* 9218276 299.00
 - B** 66 A.C. Evaporator *Repro* 9218301 319.50
 - 66 A.C. Evap generic *Aftermarket* 9218277 299.00
 - C** 67 A.C. Evaporator *Repro* 9218302 319.50
 - 67 A.C. Evap generic *Aftermarket* 9218278 299.00
- These Seals available in a Kit on page 50-51
- D** Core Vertical Seals Pair 8846146 5.50
 - E** Core Horizontal Seals Pair 8846145 5.50
 - F** Core Pipe Seals Pair 8846150 15.75



- G** 68 A.C. Evaporator Core 9218303 303.95
- H** 69-72 A.C. Evaporator *Delco NOS* 9218304 325.00
- 69-72 A.C. Evaporator *Aftermarket* 9218268 298.00
- I** 73-77 A.C. Evaporator *Delco* 9218305 288.00
- 73-77 A.C. Evaporator *Aftermarket* 9218269 278.00
- J** 77-79 A.C. Evaporator *Delco* 9218306 368.00
- 77-79 A.C. Evaporator *Aftermarket* 9218270 298.00
- K** 80-82 A.C. Evaporator *Delco* 9218307 338.00
- 80-82 A.C. Evaporator *Aftermarket* 9218271 288.00

- The following Seals available in a Kit on page 52
- L** 68-82 A.C. Evaporator Core Mounting Seal
Quality repro that will seal more of the gaps inside the evaporator case. Seal better than any 8846411 17.50
 - M** 68-82 Core Inlet Seal 8846412 3.50
 - N** 68-79 Core Outlet Seal 8846413 3.50
 - O** 80-82 Core Outlet Seal 8846414 3.50



68-82 Air Conditioning Evaporator Case

- P** 74-82 RH Firewall Evaporator Inlet Case includes upper mounting hole reinforcement & rear plate; disc *NOS* 9218401 Disc
- Q** 68-82 Evaporator Case Rivet 12 Piece Set semi-tubular Aluminum, allows removal & restoration of the 3 evap case mounting hole reinforcements and the LH evap case back plate. **TIP:** Due to moisture inside the evap cases, use several coats of Black semi-gloss paint when repainting the back plate to help prevent future corrosion. **Does 1 car.** 8848124 3.80
- R** 74-82 LH Firewall Evaporator Outlet Case includes the 2 mounting hole reinforcements; disc *NOS* 9218402 0.00
- S** 68-82 Evaporator Case Firewall 6 Piece Mounting Kit includes 5 wide flange speed style nuts and 1 indented hex washer head screw for the RH lower mount. **Does 1 car.** 8848126 3.50
- T** 68-82 LH to RH Evaporator Case 6 Piece Mounting Kit includes 6 indented hex washer head screws to mount the halves of the evaporator case together. **Does 1 car.** 8848128 3.00
- U** 68-82 Evaporator Case Inlet Screen Mount this die cut screen between the firewall & case to prevent the blower motor from sucking leaves & debris into the case where they clog the evaporator core and obstruct cooling. 8846436 4.20
- V** 68-82 Evaporator to Case 3 Piece Mounting Kit includes 3 indented hex washer head screws to mount evaporator to the case. **Does 1 car.** 8848130 3.15
- W** 68-82 Evaporator Case Drain Hose Helps prevent air flow from pushing condensation back into the evap case, causing the evaporator core to freeze up due to ice build up. 8848132 9.75
- X** 68-82 Evaporator Drain Hose Mount Clamp Mounts hose to the evap case. 8848134 4.20

Evaporator Case Labels

These are not flat - but made from Colored Embossed Foil like stock. 100% satisfaction guaranteed. Limited supply

Evap Label Code		
65 AC Evap Label "EBA 70 65B"	9999506	12.50
66 AC Evap Label "EBA 70 66B"	9999508	12.50
67 AC Evap Label "EBA 70 67B"	9999510	12.50
68 AC Evap Label "EBA 70 68B"	9999512	12.50
69 AC Evap Label "EBA 70 69B"	9999513	12.50
70 AC Evap Label "EBA 70 70B"	9999515	12.50
71 AC Evap Label "EBA 70 71B"	9999516	Disc
72 AC Evap Label "EBA 70 72B"	9999517	12.50
73 AC Evap Label "EBA 70 73B"	9999519	12.50
74 AC Evap Label "EBA 70 74B"	9999525	12.50
75 AC Evap Label "EBA 70 75B"	9999523	12.50
76 AC Evap Label "EBA 70 76B"	9999524	12.50

63-82 A.C. Blower Motor

- A** 63-Early 77 AC Blower Motor 8862204 59.50
- B** Late 77-82 AC Blower Motor 8862208 54.00

How To Tell Early 77 from Late 77

Early 77 motor is 3" long with a 2 1/4" long fan shaft from the motors flat flange. *Late 77* motor is 2 1/2" long with a fan shaft 2 1/2" from the motors flat flange.

- C** 63-82 Mounting Screw 5 Piece Set 8862202 2.50
- D** 63-71 Blower Fan 8862210 25.00
- E** 72-Early 77 Blower Fan *NOS* 8862211 29.50
- F** Late 77-82 Blower Fan 8862213 33.50
- G** 68-82 Blower Motor Brass Ground Terminal connects harness to blower motor. 8862200 4.95
- H** 64-82 Blower Motor Capacitor An excellent *Delco* replacement, helps remove static from radio. Requires re-using the male & female terminal ends of your stock blower capacitor. 9220398 57.50
- I** 68-82 Cool Tube Elbow *NOS* 9220503 10.00
- J** 68-82 Elbow Mounting Screw 9220504 0.90
- K** 63-67 AC Cooling Tube *NOS* 9220500 24.00
- K** 78-82 AC Cooling Tube *NOS* 9220502 0.00
- L** Push Button Style Blower Motor Switches mounts these on the inner AC distributor box. 63-67 Switch 3 terminals *NOS* 9220403 40.00
- 68 Switch 2 bayonet terminals 8846347 39.50
- 68 Blower Motor Switch 2 Piece Mounting Kit 2 piece screw set. **Does 1 car.** 8848136 2.00

